

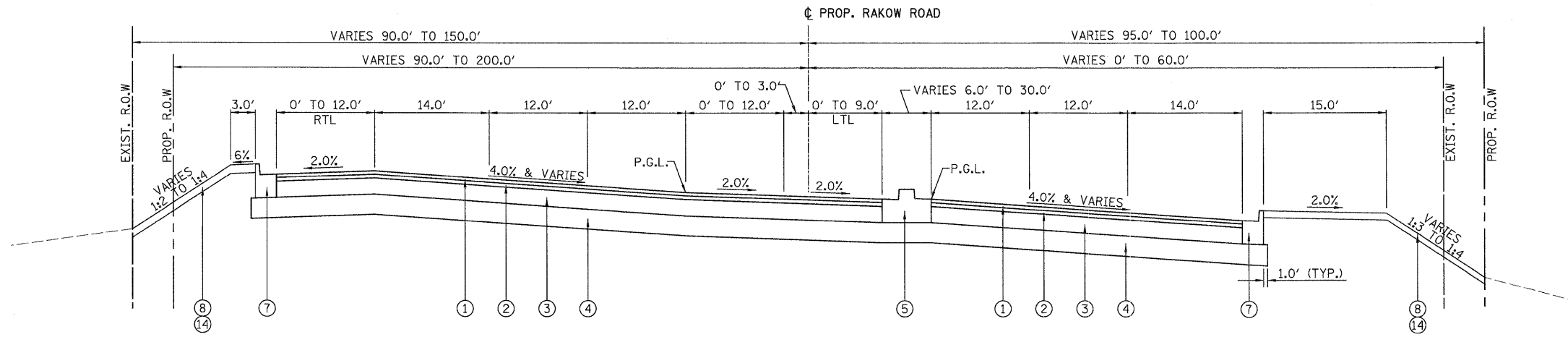
LEGEND

EXISTING

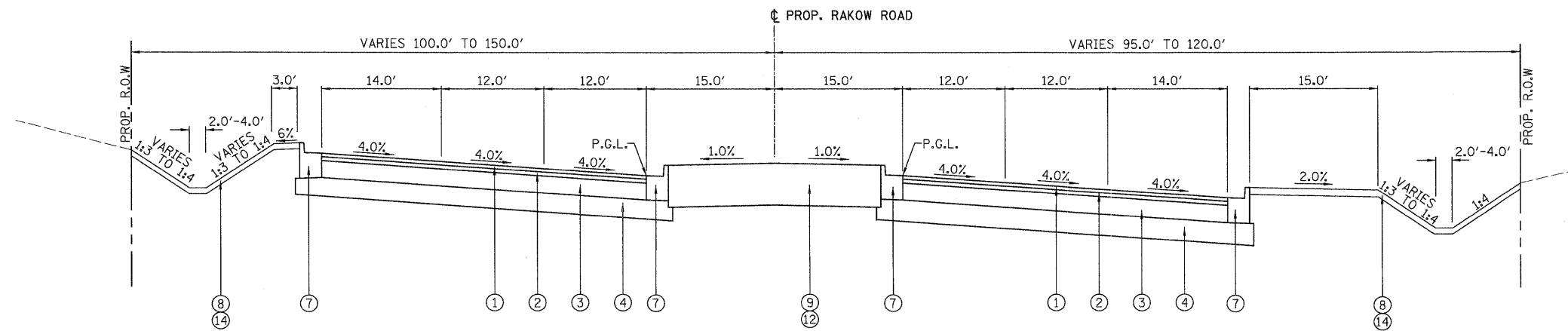
- (A) - HMA BASE COURSE
- (B) - AGGREGATE SUBGRADE

PROPOSED

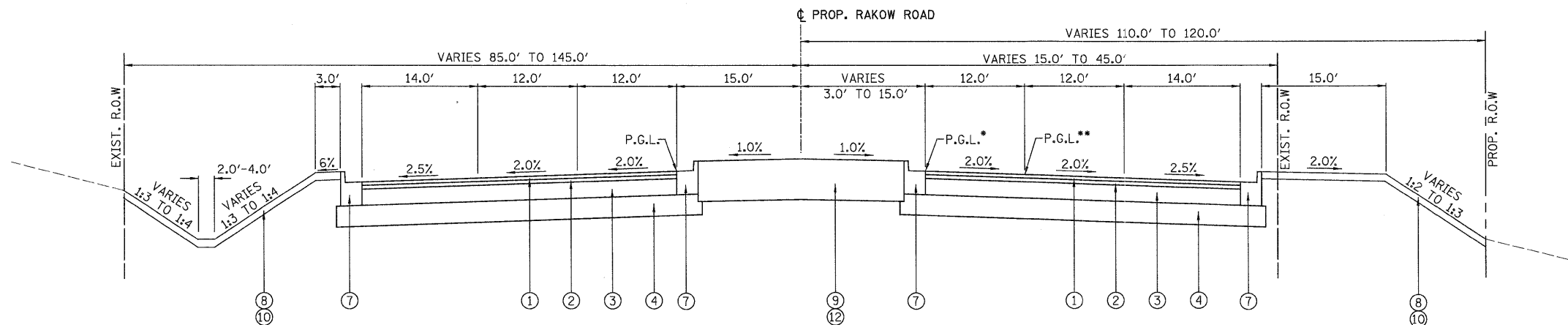
- FULL-DEPTH PAVEMENT OPTION (RAKOW ROAD)**
- (1) - POLYMERIZED HMA SURFACE CSE., MIX "F", N90, 2"
 - (2) - POLYMERIZED HMA BINDER CSE., IL-19.0, N90, 2 1/4"
 - (3) - HMA BASE COURSE, 11 3/4"
- COMPOSITE PAVEMENT OPTION (RAKOW ROAD)**
- (1) - POLYMERIZED HMA SURFACE CSE., MIX "F", N90, 1 3/4"
 - (2) - POLYMERIZED HMA BINDER CSE., IL-19.0, N90, 2 1/4"
 - (3) - P.C.C. BASE COURSE, 7 1/4"
 - (4) - AGGREGATE SUBGRADE, 12"
 - (5) - CONCRETE MEDIAN, TYPE SB-6.12
 - (6) - STEEL PLATE BEAM GUARDRAIL, TYPE A, 9 FOOT POSTS
 - (7) - COMBINATION CONCRETE CURB & GUTTER, TYPE B-6.24
 - (8) - FURNISH AND PLACE TOPSOIL, 6"
 - (9) - FURNISH AND PLACE TOPSOIL, 24"
 - (10) - SEEDING, CLASS 2A (MODIFIED)
 - (11) - SEEDING, CLASS 4A (MODIFIED)
 - (12) - SEEDING, CLASS 1 (MODIFIED)
 - (13) - SODDING, SALT TOLERANT
 - (14) - SEEDING CLASS 4A



P-4 RAKOW ROAD
STA. 109+70.11 TO STA. 114+82.23



P-5 RAKOW ROAD
STA. 114+82.23 TO STA. 135+33.38



P-6 RAKOW ROAD
STA. 135+33.38 TO STA. 162+71.59

*PGL TRANSITIONS FROM STA. 135+33.38, 15' RT TO STA. 140+73.38, 15' RT
 **PGL STA. 140+73.38 TO STA. 162+71.59
 PGL REMAINS AT 15' LT/RT THROUGHOUT SECTION

	USER NAME = Rdky_Lisle	DESIGNED - MJP	REVISED -		MCHENRY COUNTY DIVISION OF TRANSPORTATION	RAKOW ROAD FROM ACKMAN ROAD TO ILLINOIS ROUTE 31 RAKOW ROAD PROPOSED TYPICAL SECTIONS	F.A.P. RTE. 0336	SECTION 05-00308-00-WR	COUNTY MCHENRY	TOTAL SHEETS 606	SHEET NO. 36
	PLOT CONFIG = PDF(Grey, Large).plt	DRAWN - TCK	REVISED -				FED. ROAD DIST. NO. ILLINOIS	FED. AID PROJECT	CONTRACT NO. 63398		
PLOT SCALE = 1/8"=33'3.33	CHECKED - JAH	REVISOR -	REVISOR -	SCALE: NA	SHEET NO. TYP 6 OF 13	STA. TO STA.					
PLOT DATE = 7/28/2010	DATE - 8/2/2010	REVISOR -	REVISOR -								