

LEGEND

EXISTING

- (A) - HMA BASE COURSE
- (B) - AGGREGATE SUBGRADE

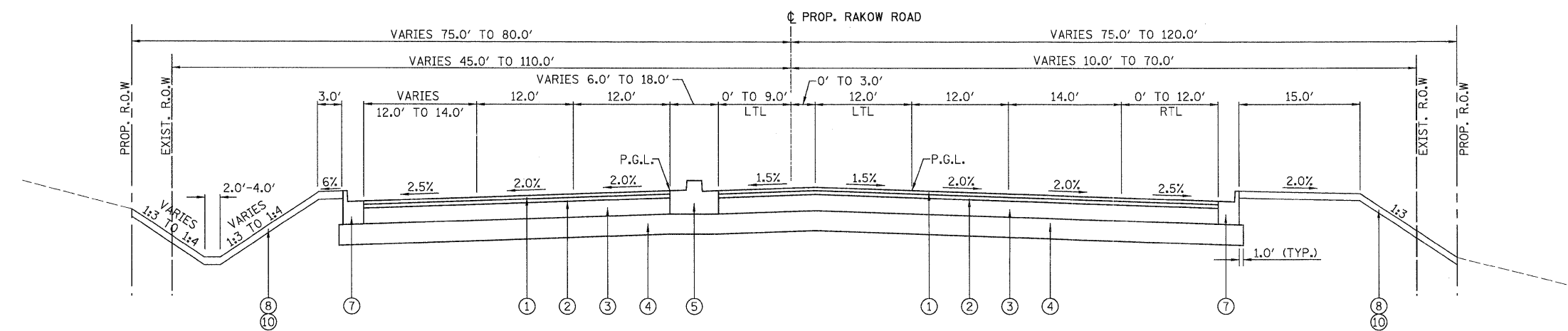
PROPOSED

FULL-DEPTH PAVEMENT OPTION (RAKOW ROAD)

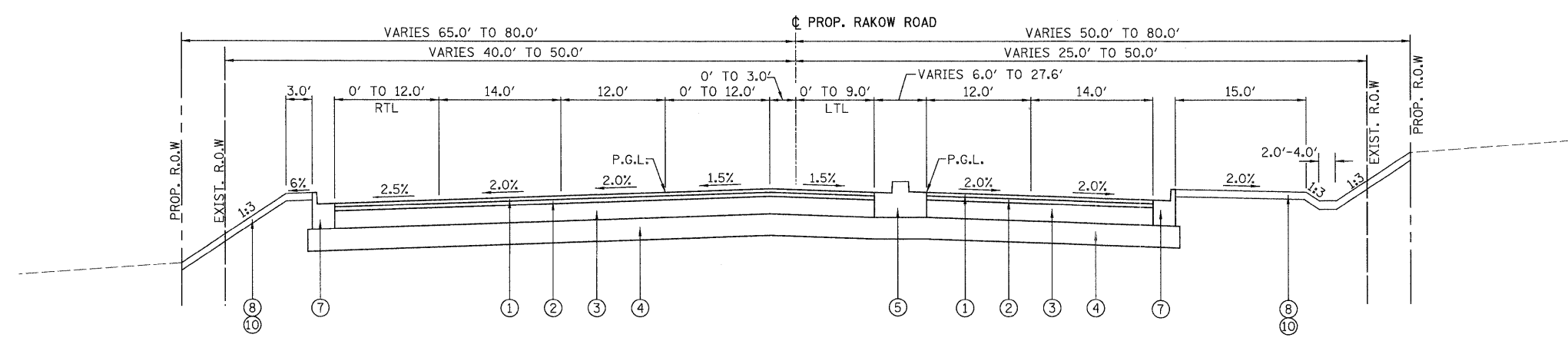
- (1) - POLYMERIZED HMA SURFACE CSE., MIX "F", N90, 2"
- (2) - POLYMERIZED HMA BINDER CSE., IL-19.0, N90, 2 1/4"
- (3) - HMA BASE COURSE, 11 3/4"

COMPOSITE PAVEMENT OPTION (RAKOW ROAD)

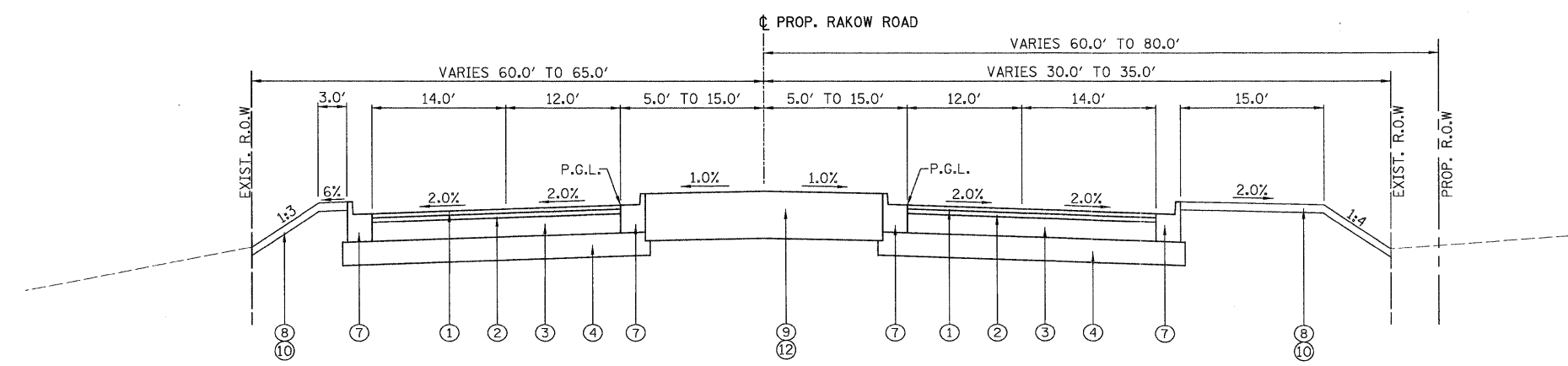
- (1) - POLYMERIZED HMA SURFACE CSE., MIX "F", N90, 1 3/4"
- (2) - POLYMERIZED HMA BINDER CSE., IL-19.0, N90, 2 1/4"
- (3) - P.C.C. BASE COURSE, 7 1/4"
- (4) - AGGREGATE SUBGRADE, 12"
- (5) - CONCRETE MEDIAN, TYPE SB-6.12
- (6) - STEEL PLATE BEAM GUARDRAIL, TYPE A, 9 FOOT POSTS
- (7) - COMBINATION CONCRETE CURB & GUTTER, TYPE B-6.24
- (8) - FURNISH AND PLACE TOPSOIL, 6"
- (9) - FURNISH AND PLACE TOPSOIL, 24"
- (10) - SEEDING, CLASS 2A (MODIFIED)
- (11) - SEEDING, CLASS 4A (MODIFIED)
- (12) - SEEDING, CLASS 1 (MODIFIED)
- (13) - SODDING, SALT TOLERANT
- (14) - SEEDING CLASS 4A



P-7 RAKOW ROAD
 STA. 162+71.59 TO STA. 168+71.77
 STA. 237+65.06 TO STA. 248+17.62



P-8 RAKOW ROAD
 STA. 170+22.28 TO STA. 175+42.65
 STA. 222+87.91 TO STA. 227+95.97
 STA. 232+00.00 TO STA. 237+65.06



P-9 RAKOW ROAD
 STA. 175+42.65 TO STA. 178+82.28
 STA. 188+48.07 TO STA. 216+54.81



USER NAME = Rdwy_Lisle
 PLOT CONFIG = PDF(Grey_Large).plt
 PLOT SCALE = 1/8,33333
 PLOT DATE = 7/28/2010

DESIGNED - MJP
 DRAWN - TCK
 CHECKED - JAH
 DATE - 8/2/2010

REVISED -
 REVISED -
 REVISED -
 REVISED -



MCHENRY COUNTY
DIVISION OF TRANSPORTATION

RAKOW ROAD FROM ACKMAN ROAD TO ILLINOIS ROUTE 31
RAKOW ROAD PROPOSED TYPICAL SECTIONS

SCALE: NA SHEET NO. TYP 7 OF 13 STA. TO STA.

F.A.P. RTE. 0336	SECTION 05-00308-00-WR	COUNTY MCHENRY	TOTAL SHEETS 606	SHEET NO. 37
FED. ROAD DIST. NO.		ILLINOIS FED. AID PROJECT		
		CONTRACT NO. 63398		