

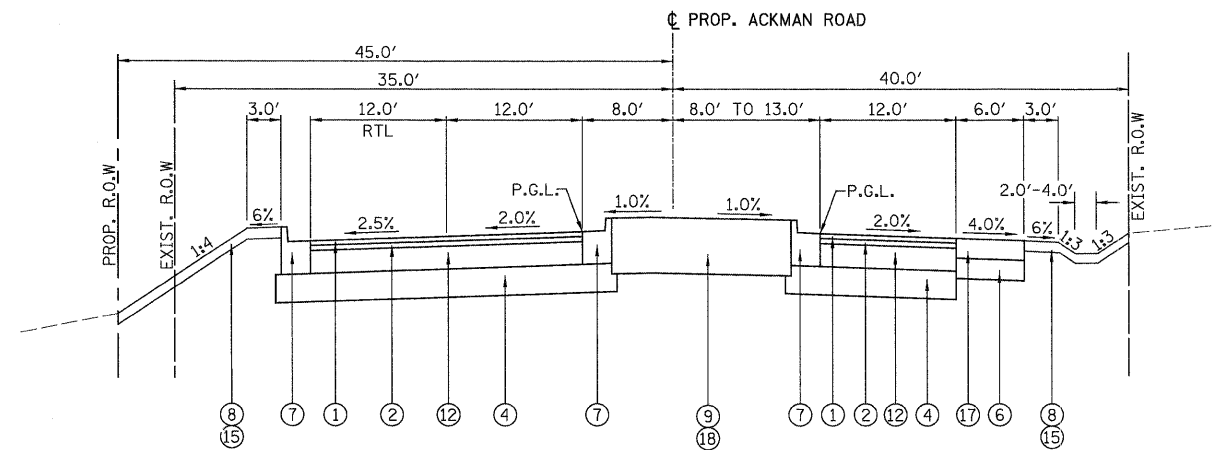
LEGEND

EXISTING

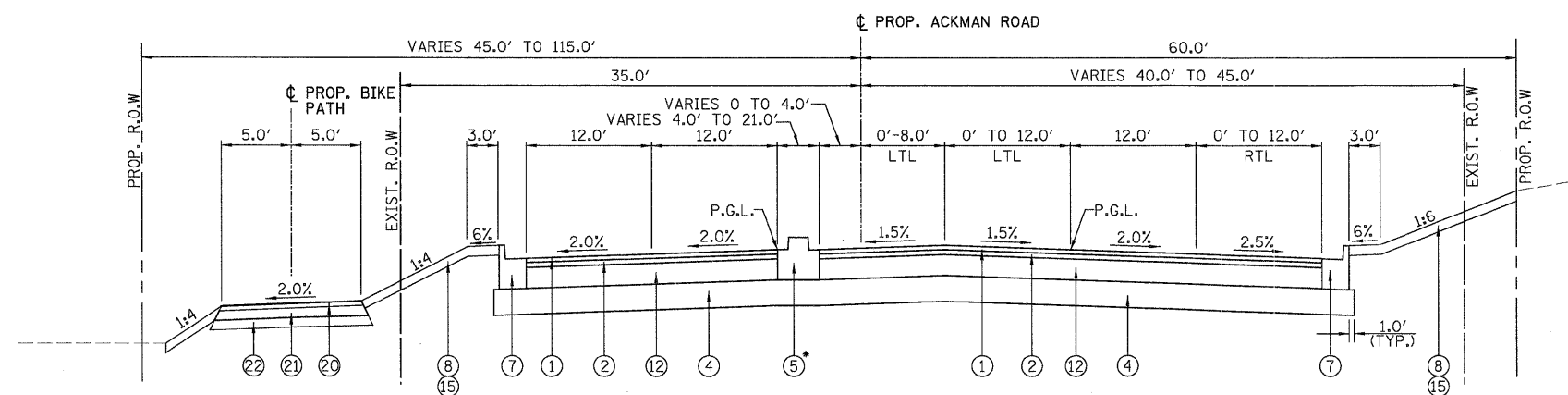
- (A) - HMA BASE COURSE
- (B) - AGGREGATE SUBGRADE
- (C) - SUBBASE GRANULAR MATERIAL
- (D) - P.C.C. PAVEMENT

PROPOSED

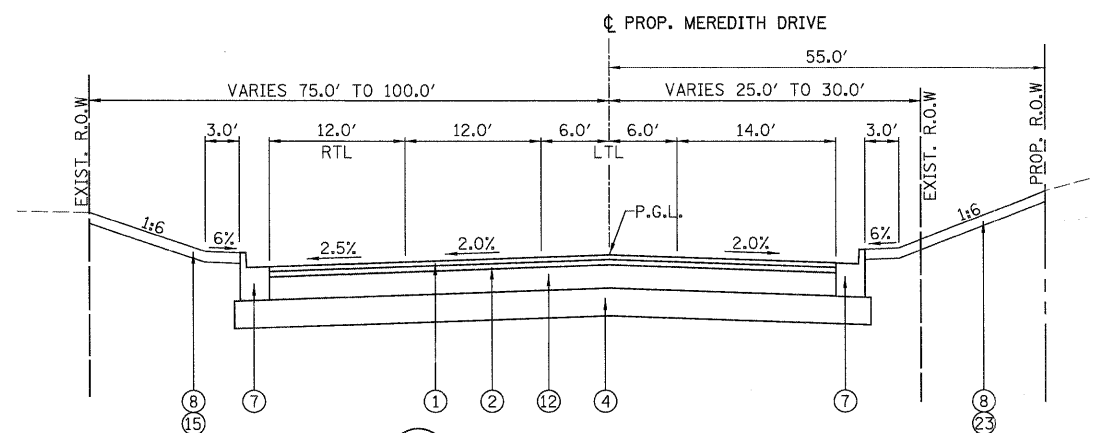
- (1) - HMA SURFACE CSE., MIX "D", N70, 1 3/4"
- (2) - HMA BINDER CSE., IL-19.0, N70, 2 1/4"
- (3) - SUBBASE GRANULAR MATERIAL, TYPE B, 4"
- (4) - AGGREGATE SUBGRADE, 12"
- (5) - CONCRETE MEDIAN, TYPE SB-6.12
- (6) - AGGREGATE SUBGRADE, 8"
- (7) - COMBINATION CONCRETE CURB & GUTTER, TYPE B-6.24
- (8) - FURNISH AND PLACE TOPSOIL, 6"
- (9) - FURNISH AND PLACE TOPSOIL, 24"
- (10) - SEEDING, CLASS 2A (MODIFIED)
- (11) - HMA BASE COURSE, 7"
- (12) - HMA BASE COURSE, 8 1/2"
- (13) - HMA BASE COURSE, 9"
- (14) - HMA BASE COURSE, 9 1/2"
- (15) - SODDING, SALT TOLERANT
- (16) - STEEL PLATE BEAM GUARDRAIL, TYPE A, 9 FOOT POSTS
- (17) - HMA SHOULDERS, 8"
- (18) - SEEDING, CLASS 1 (MODIFIED)
- (19) - P.C.C. PAVEMENT 10" (JOINTED)
- (20) - HOT-MIX ASPHALT SURFACE CSE., MIX C, N50, 2"
- (21) - HOT-MIX ASPHALT BINDER CSE., IL-19.0, N50, 4"
- (22) - STABILIZED SUB-BASE 4"
- (23) - SEEDING, CLASS 4A



P-12 ACKMAN ROAD
STA. 9+03.18 TO STA. 11+41.25



P-13 ACKMAN ROAD
STA. 11+41.25 TO STA. 19+03.25
*CONC MED TSB6.12 FROM STA. 13+61.76 TO STA. 19+03.25



P-14 MEREDITH DRIVE
STA. 20+80.57 TO STA. 21+87.44

	USER NAME = Rdwy_Lisle	DESIGNED - MJJ	REVISED -		RAKOW ROAD FROM ACKMAN ROAD TO ILLINOIS ROUTE 31 ACKMAN ROAD PROPOSED TYPICAL SECTIONS		F.A.P. RTE. 0336	SECTION 05-00308-00-WR	COUNTY MCHENRY	TOTAL SHEETS 606	SHEET NO. 39
	PLOT CONFIG = PDF(Grey, Large).plt	DRAWN - TCK	REVISED -				SCALE: NA	SHEET NO. TYP 9 OF 13	STA. TO STA.	FED. ROAD DIST. NO. ILLINOIS	FED. AID PROJECT
PLOT SCALE = 1:8.33333	CHECKED - JAH	DATE - 8/2/2010	REVISED -								
PLOT DATE = 7/28/2010											

G:\MCD07\209502_001\Drawings\RDW\ashts\Typ\NS_PTyp_01.dgn