

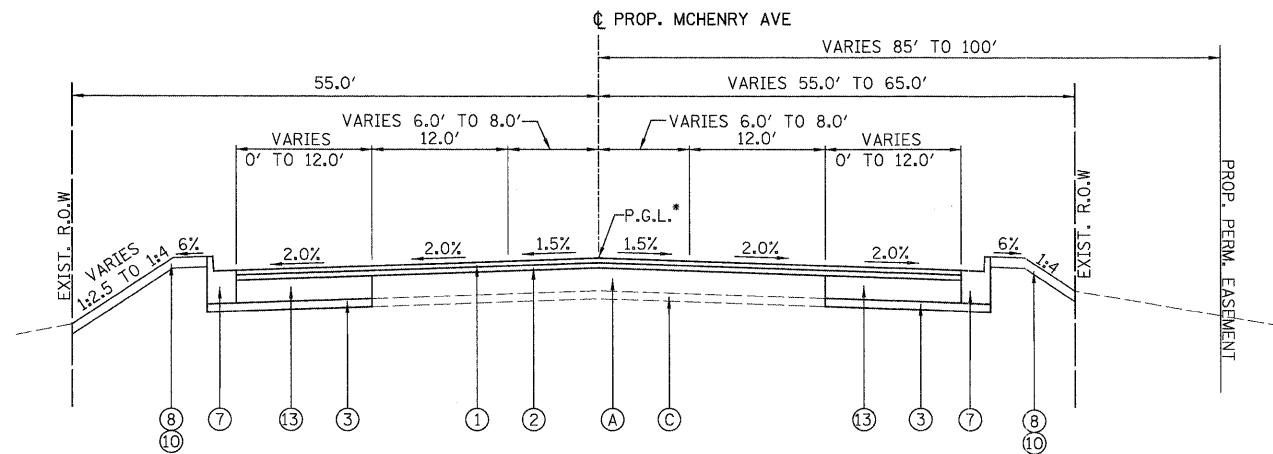
LEGEND

EXISTING

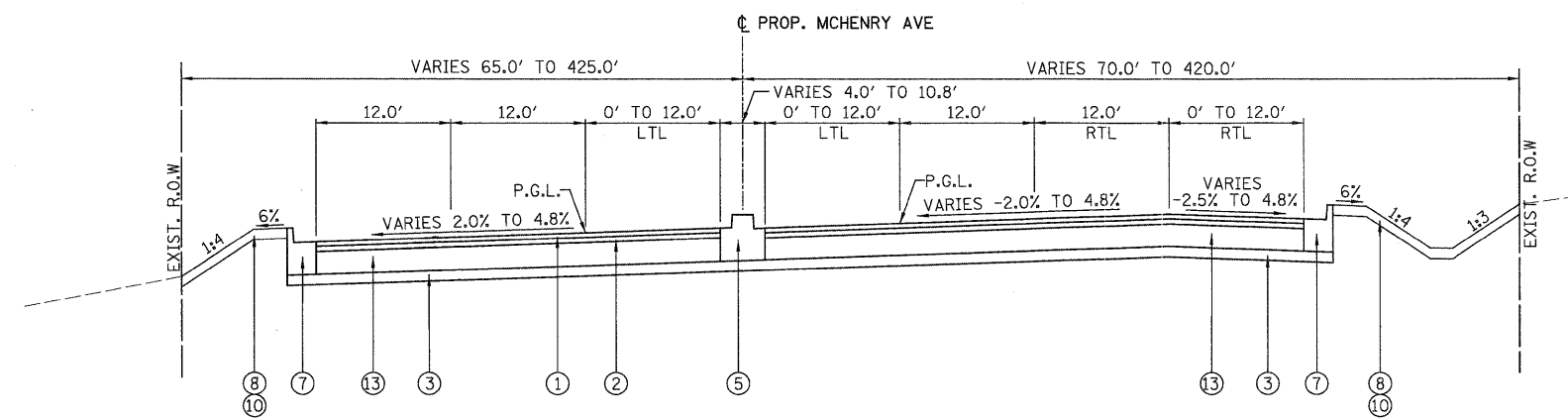
- (A) - HMA BASE COURSE
- (B) - AGGREGATE SUBGRADE
- (C) - SUBBASE GRANULAR MATERIAL
- (D) - P.C.C. PAVEMENT

PROPOSED

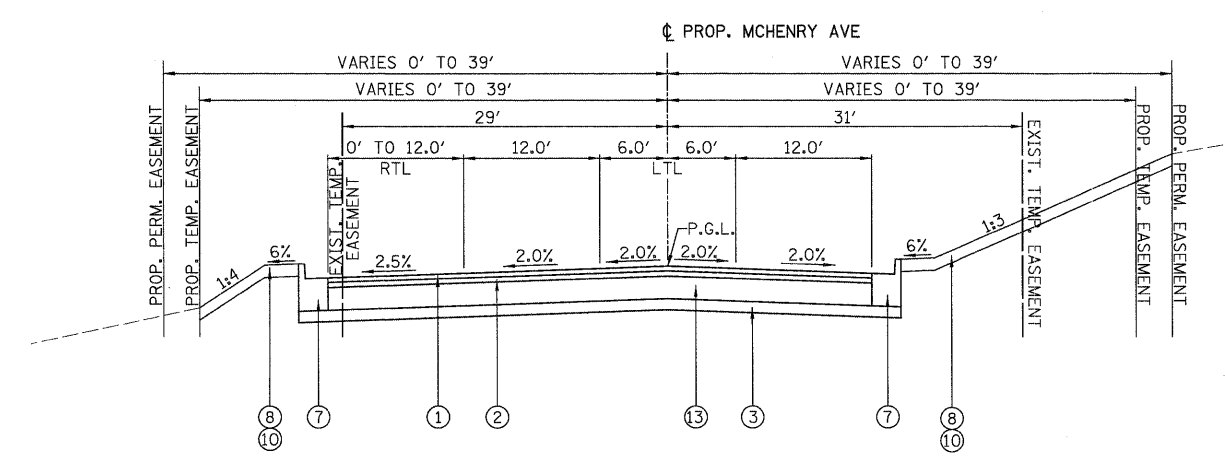
- (1) - HMA SURFACE CSE., MIX "D", N70, 1 3/4"
- (2) - HMA BINDER CSE., IL-19.0, N70, 2 1/4"
- (3) - SUBBASE GRANULAR MATERIAL, TYPE B, 4"
- (4) - AGGREGATE SUBGRADE, 12"
- (5) - CONCRETE MEDIAN, TYPE SB-6.12
- (6) - AGGREGATE SUBGRADE, 8"
- (7) - COMBINATION CONCRETE CURB & GUTTER, TYPE B-6.24
- (8) - FURNISH AND PLACE TOPSOIL, 6"
- (9) - FURNISH AND PLACE TOPSOIL, 24"
- (10) - SEEDING, CLASS 2A (MODIFIED)
- (11) - HMA BASE COURSE, 7"
- (12) - HMA BASE COURSE, 8 1/2"
- (13) - HMA BASE COURSE, 9"
- (14) - HMA BASE COURSE, 9 1/2"
- (15) - SODDING, SALT TOLERANT
- (16) - STEEL PLATE BEAM GUARDRAIL, TYPE A, 9 FOOT POSTS
- (17) - HMA SHOULDERS, 8"
- (18) - SEEDING, CLASS 1 (MODIFIED)
- (19) - P.C.C. PAVEMENT 10" (JOINTED)



P-15 MCHENRY AVE
 STA. 6+81.33 TO STA. 11+00.00
 *SEE SHEET DTL 5 FOR PGL TRANSITION DETAIL



P-16 MCHENRY AVE
 STA. 11+00.00 TO STA. 19+20.94



P-17 MCHENRY AVE
 STA. 20+86.88 TO STA. 22+15.19



USER NAME = Rdwy_Lisle	DESIGNED - MJJ	REVISED -
PLOT CONFIG = PDF(Grey, Large).plt	DRAWN - TCK	REVISED -
PLOT SCALE = 1:8.33333	CHECKED - JAH	REVISED -
PLOT DATE = 7/28/2010	DATE - 8/2/2010	REVISED -



MCHENRY COUNTY
 DIVISION OF TRANSPORTATION

RAKOW ROAD FROM ACKMAN ROAD TO ILLINOIS ROUTE 31
 MCHENRY AVENUE PROPOSED TYPICAL SECTIONS

SCALE: NA SHEET NO. TYP 10 OF 13 STA. TO STA.

F.A.P. RTE. 0336	SECTION 05-00308-00-WR	COUNTY MCHENRY	TOTAL SHEETS 606	SHEET NO. 40
FED. ROAD DIST. NO. ILLINOIS FED. AID PROJECT			CONTRACT NO. 63398	

G:\MCDOT\2010\Drawings\RDWAY\shhs\Typ\VS.PTyp.01.dgn