

RAKOW ROAD STAGE 1

STA. 138+29.98 TO STA. 169+57.92

①⑥ - FROM STA. 138+29.98 TO STA. 161+08.45

⑤ - FROM STA. 161+96.30 TO STA. 169+57.92

STA. 174+73.40 TO STA. 247+80.00

①⑥ - FROM STA. 176+23.06 TO STA. 209+37.35

- FROM STA. 210+81.06 TO STA. 211+38.53

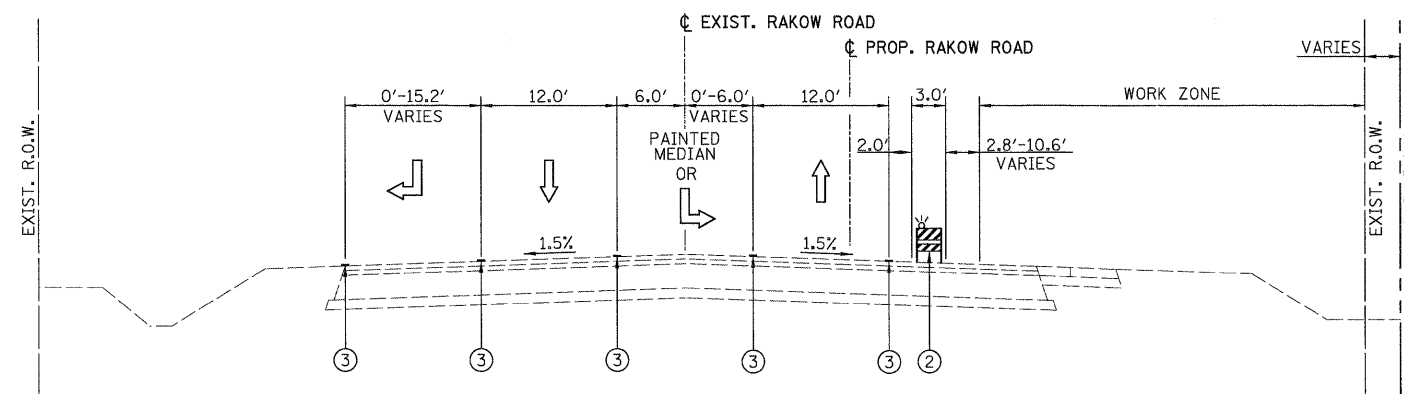
- FROM STA. 212+42.70 TO STA. 214+13.82

- FROM STA. 214+75.44 TO STA. 247+63.47

⑤ - FROM STA. 174+73.40 TO STA. 176+23.06

- FROM STA. 178+48.38 TO STA. 190+54.22

- FROM STA. 215+94.03 TO STA. 241+08.67



RAKOW ROAD STAGE 1

STA. 169+57.92 TO STA. 174+73.40

LEGEND:

- ① - TEMPORARY PAVEMENT, 8"
- ② - TYPE II BARRICADES OR DRUMS WITH STEADY BURNING LIGHTS (50 FT C-C @ TANGENTS, 25 FT C-C @ TAPERS & 12 FT C-C ALONG RADII)
- ③ - THERMOPLASTIC PAVEMENT MARKING
- ④ - PAVEMENT MARKING TAPE, TY. III
- ⑤ - EXISTING PAVEMENT MARKING
- ⑥ - VERTICAL PANELS WITH STEADY BURNING LIGHTS (50 FT C-C)

NOTES

1. SEE MAINTENANCE OF TRAFFIC PLAN SHEETS FOR THERMOPLASTIC PAVEMENT MARKINGS AND TAPE INFORMATION.
2. SEE MAINTENANCE OF TRAFFIC PLAN SHEETS FOR TEMPORARY PAVEMENT CONSTRUCTION STAGING.



USER NAME = Rdwj.Lisle	DESIGNED - MJV	REVISED -
PLOT CONFIG = PDF(Grey, Large).plt	DRAWN - MJV	REVISED -
PLOT SCALE = 1:8.33333	CHECKED - JAH	REVISED -
PLOT DATE = 7/29/2010	DATE - 8/2/2010	REVISED -



**MCHENRY COUNTY
DIVISION OF TRANSPORTATION**

**RAKOW ROAD FROM ACKMAN ROAD TO ILLINOIS ROUTE 31
RAKOW ROAD PROPOSED MAINTENANCE OF TRAFFIC TYPICAL SECTIONS**

SCALE: N/A SHEET NO. MOT 3 OF 100 STA. TO STA.

F.A.P. RTE. 0336	SECTION 05-00308-00-WR	COUNTY MCHENRY	TOTAL SHEETS 606	SHEET NO. 49
FED. ROAD DIST. NO. ILLINOIS FED. AID PROJECT			CONTRACT NO. 63398	