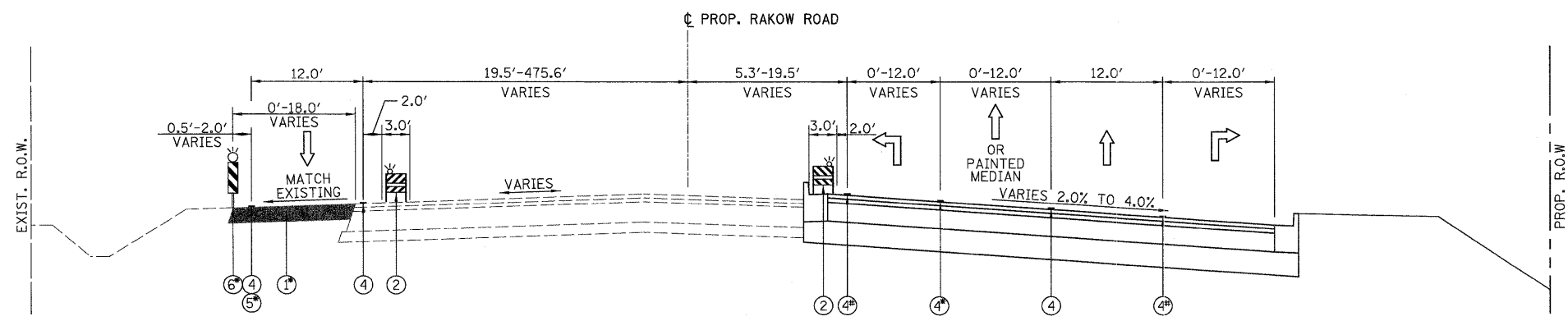


RANDALL/RAKOW ROAD STAGE 1D
 STA. 86+42.45 TO STA. 112+68.49

- ①⑥ - FROM STA. 90+04.27 TO STA. 112+68.49
- ④ - FROM STA. 89+48.27 TO STA. 94+73.27
- FROM STA. 94+96.87 TO STA. 98+94.93
- FROM STA. 104+18.71 TO STA. 108+16.42
- ⑤ - FROM STA. 86+42.45 TO STA. 89+30.33
- ④ - FROM STA. 94+96.87 TO STA. 99+25.01
- FROM STA. 104+18.74 TO STA. 108+16.55
- ④ - FROM STA. 100+54.76 TO STA. 105+84.33



RAKOW ROAD STAGE 1D
 STA. 112+68.49 TO STA. 169+58.58

- ①⑥ - FROM STA. 138+29.77 TO STA. 161+08.57
- ④ - FROM STA. 112+68.49 TO STA. 115+00.00
- FROM STA. 164+71.47 TO STA. 168+67.48
- ⑤ - FROM STA. 112+68.49 TO STA. 138+28.61
- ④ - FROM STA. 162+71.59 TO STA. 168+70.27
- (NO LEFT TURN LANE IN STAGE 1D SUBSTAGE 1)

- LEGEND:**
- ① - TEMPORARY PAVEMENT, 8"
 - ② - TYPE II BARRICADES OR DRUMS WITH STEADY BURNING LIGHTS (50 FT C-C @ TANGENTS, 25 FT C-C @ TAPERS & 12 FT C-C ALONG RADII)
 - ③ - THERMOPLASTIC PAVEMENT MARKING
 - ④ - PAVEMENT MARKING TAPE, TY. III
 - ⑤ - EXISTING PAVEMENT MARKING
 - ⑥ - VERTICAL PANELS WITH STEADY BURNING LIGHTS (50 FT C-C)

- NOTES**
1. SEE MAINTENANCE OF TRAFFIC PLAN SHEETS FOR THERMOPLASTIC PAVEMENT MARKINGS AND TAPE INFORMATION.
 2. SEE MAINTENANCE OF TRAFFIC PLAN SHEETS FOR TEMPORARY PAVEMENT CONSTRUCTION STAGING.

PATRICK ENGINEERING INC. LISLE, ILLINOIS	USER NAME = Rdky_Lisle PLOT CONFIG = PDF(Gray_Large).plt PLOT SCALE = 1:8,33333 PLOT DATE = 7/29/2010	DESIGNED - MJV DRAWN - MJV CHECKED - JAH DATE - 8/2/2010	REVISED - REVISED - REVISED - REVISED -	MCHENRY COUNTY DIVISION OF TRANSPORTATION	RAKOW ROAD FROM ACKMAN ROAD TO ILLINOIS ROUTE 31 RAKOW ROAD PROPOSED MAINTENANCE OF TRAFFIC TYPICAL SECTIONS	F.A.P. RTE. 0336 SECTION 05-00308-00-WR COUNTY MCHENRY TOTAL SHEETS 606 SHEET NO. 50	CONTRACT NO. 63398
	SCALE: N/A SHEET NO. MOT 4 OF 100 STA. TO STA.	FED. ROAD DIST. NO. ILLINOIS FED. AID PROJECT					