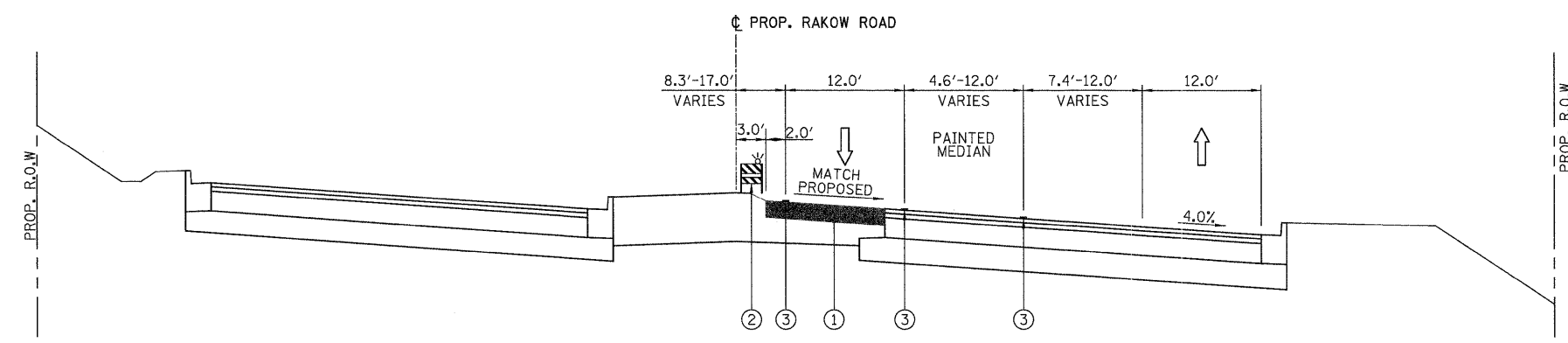


RANDALL/RAKOW ROAD STAGE 2

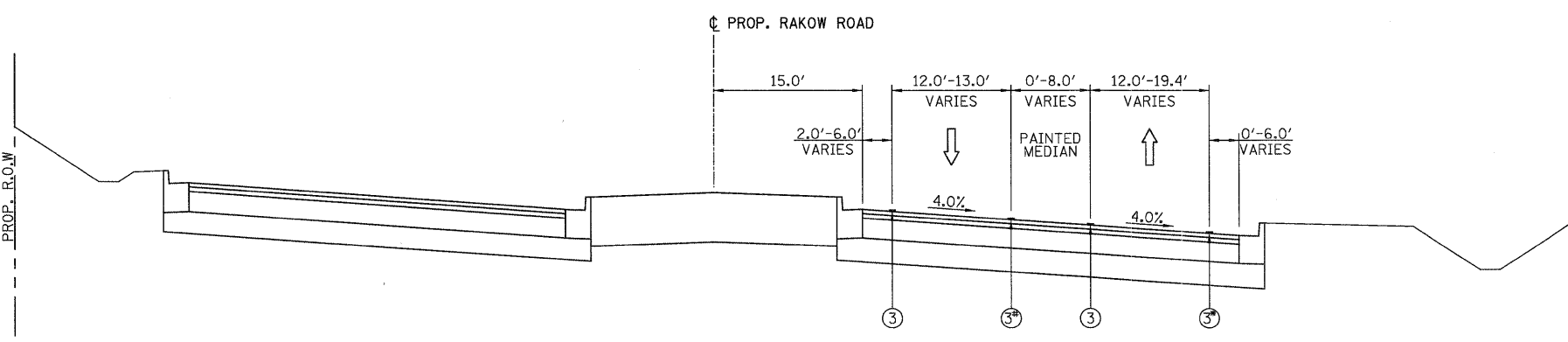
STA. 86+42.45 TO STA. 114+37.02

- ① - FROM STA. 91+98.27 TO STA. 95+25.27
- FROM STA. 100+87.60 TO STA. 104+28.57
- FROM STA. 109+64.70 TO STA. 114+37.02
- ③ - FROM STA. 89+48.27 TO STA. 94+73.27
- FROM STA. 94+96.87 TO STA. 98+94.93
- FROM STA. 104+18.71 TO STA. 108+16.42
- ③ - FROM STA. 86+42.45 TO STA. 111+71.59



RAKOW ROAD STAGE 2

STA. 114+37.21 TO STA. 117+31.80



RAKOW ROAD STAGE 2

STA. 117+31.80 TO STA. 135+08.10

- ③ - FROM STA. 125+00.49 TO STA. 135+08.10
- ③ - FROM STA. 126+75.00 TO STA. 135+08.10

- LEGEND:**
- ① - TEMPORARY PAVEMENT, 8"
 - ② - TYPE II BARRICADES OR DRUMS WITH STEADY BURNING LIGHTS (50 FT C-C @ TANGENTS, 25 FT C-C @ TAPERS & 12 FT C-C ALONG RADII)
 - ③ - THERMOPLASTIC PAVEMENT MARKING
 - ④ - PAVEMENT MARKING TAPE, TY. III
 - ⑤ - EXISTING PAVEMENT MARKING
 - ⑥ - VERTICAL PANELS WITH STEADY BURNING LIGHTS (50 FT C-C)

- NOTES**
1. SEE MAINTENANCE OF TRAFFIC PLAN SHEETS FOR THERMOPLASTIC PAVEMENT MARKINGS AND TAPE INFORMATION.
 2. SEE MAINTENANCE OF TRAFFIC PLAN SHEETS FOR TEMPORARY PAVEMENT CONSTRUCTION STAGING.

	USER NAME = Rdw.Lisle	DESIGNED - MJV	REVISED -		RAKOW ROAD FROM ACKMAN ROAD TO ILLINOIS ROUTE 31 RAKOW ROAD PROPOSED MAINTENANCE OF TRAFFIC TYPICAL SECTIONS			F.A.P. RTE. 0336	SECTION 05-00308-00-WR	COUNTY MCHENRY	TOTAL SHEETS 606	SHEET NO. 52
	PLOT CONFIG = PDF(Grey_Large).plt	DRAWN - MJV	REVISED -					FED. ROAD DIST. NO. ILLINOIS	FED. AID PROJECT			
PLOT SCALE = 1:8,33333	CHECKED - JAH	REVISIED -		SCALE: N/A	SHEET NO. MOT 6 OF 100	STA. TO STA.	CONTRACT NO. 63398					
PLOT DATE = 7/29/2010	DATE - 8/2/2010	REVISED -										