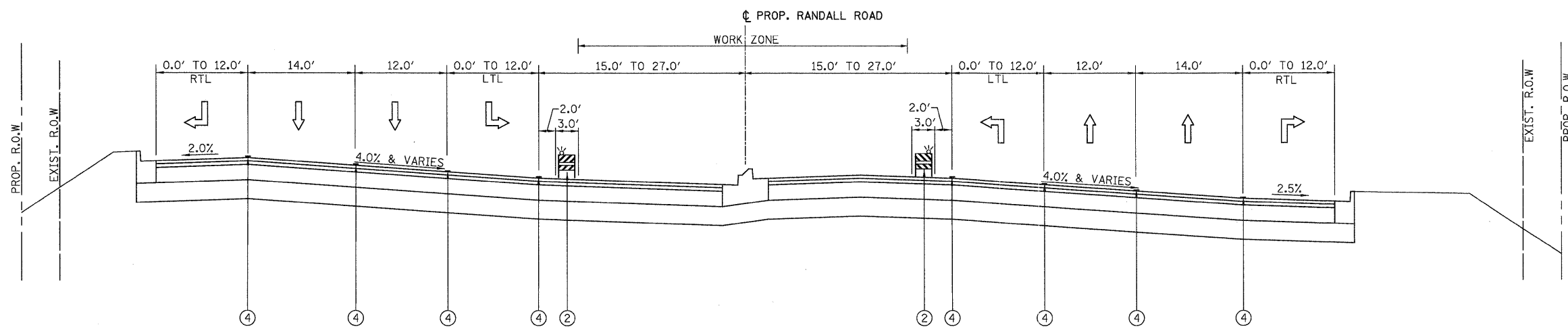
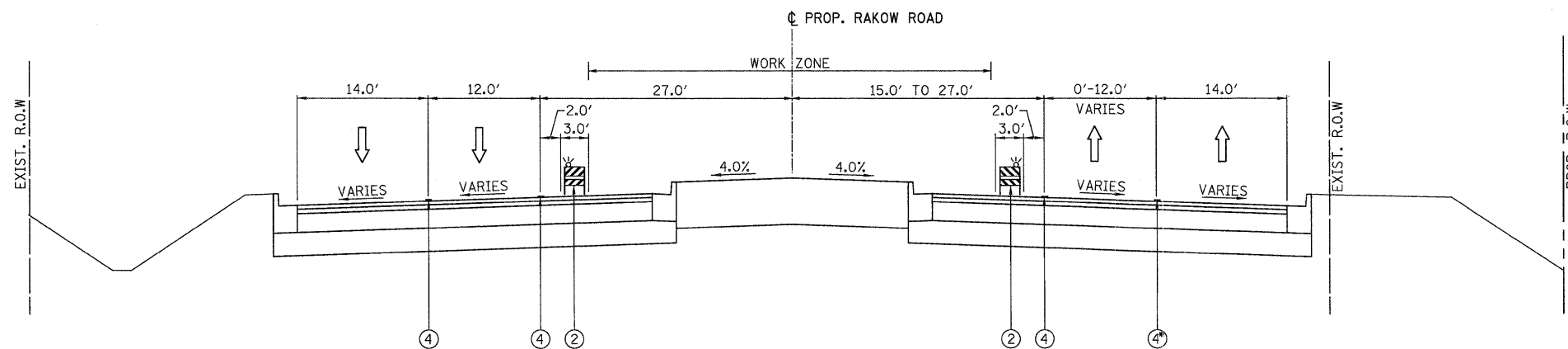


RANDALL ROAD STAGE 3
STA. 86+42.45 TO STA. 92+13.27



RANDALL ROAD STAGE 3
STA. 92+13.27 TO STA. 114+82.23



RAKOW ROAD STAGE 3
STA. 114+82.23 TO STA. 162+71.59
④ - FROM STA. 114+82.23 TO STA. 115+00.00

LEGEND:

- ① - TEMPORARY PAVEMENT, 8"
- ② - TYPE II BARRICADES OR DRUMS WITH STEADY BURNING LIGHTS (50 FT C-C @ TANGENTS, 25 FT C-C @ TAPERS & 12 FT C-C ALONG RADII)
- ③ - THERMOPLASTIC PAVEMENT MARKING
- ④ - PAVEMENT MARKING TAPE, TY. III
- ⑤ - EXISTING PAVEMENT MARKING
- ⑥ - VERTICAL PANELS WITH STEADY BURNING LIGHTS (50 FT C-C)

NOTES

1. SEE MAINTENANCE OF TRAFFIC PLAN SHEETS FOR THERMOPLASTIC PAVEMENT MARKINGS AND TAPE INFORMATION.
2. SEE MAINTENANCE OF TRAFFIC PLAN SHEETS FOR TEMPORARY PAVEMENT CONSTRUCTION STAGING.

	USER NAME = Rdky_Lisle	DESIGNED - MJV	REVISED -		RAKOW ROAD FROM ACKMAN ROAD TO ILLINOIS ROUTE 31 RAKOW ROAD PROPOSED MAINTENANCE OF TRAFFIC TYPICAL SECTIONS			F.A.P. RTE. 0336	SECTION 05-00308-00-WR	COUNTY MCHENRY	TOTAL SHEETS 606	SHEET NO. 54
	PLOT CONFID= PDFtoGray_Large.plt	DRAWN - MJV	REVISED -					SCALE: N/A	SHEET NO. MOT 8 OF 100	STA. TO STA.	FED. ROAD DIST. NO. ILLINOIS FED. AID PROJECT	CONTRACT NO. 63398
PLOT SCALE = 1:8,33333	CHECKED - JAH	REVISED -										
PLOT DATE = 7/29/2010	DATE - 8/2/2010	REVISED -										