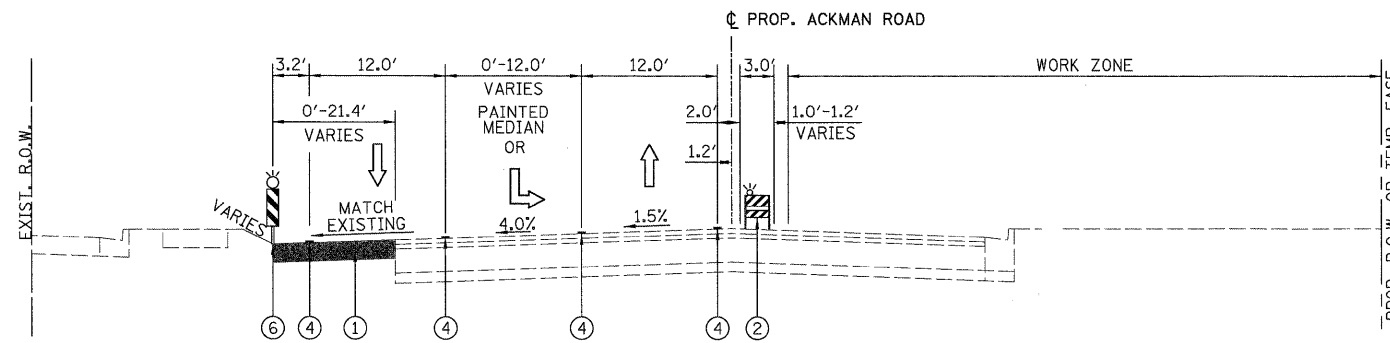


ACKMAN ROAD STAGE 1 SUBSTAGE A STAGE 1D SUBSTAGE 3

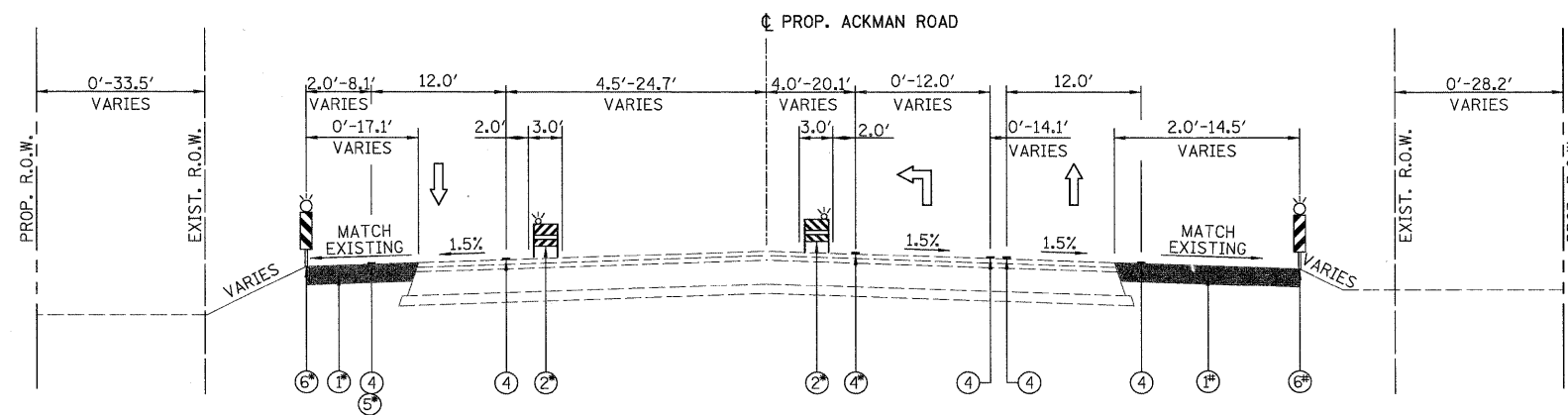
STA. 7+81.22 TO STA. 20+00.00

- ⑤ - FROM STA. 9+13.28 TO STA. 11+62.68
- ①⑥ - FROM STA. 16+39.47 TO STA. 19+12.97
- ①⑥⑦ - FROM STA. 7+81.22 TO STA. 14+89.91
- ② - FROM STA. 15+44.13 TO STA. 19+88.06
- ② - FROM STA. 9+02.11 TO STA. 14+60.11
- ② - FROM STA. 15+73.45 TO STA. 19+88.06
- ④ - FROM STA. 9+08.59 TO STA. 11+48.31
- ④ - FROM STA. 15+70.02 TO STA. 19+16.50



ACKMAN ROAD STAGE 1 SUBSTAGE A STAGE 1D SUBSTAGE 3

STA. 20+00.00 TO STA. 23+34.97



ACKMAN ROAD STAGE 1 SUBSTAGE B AND STAGE 1D SUBSTAGE 2

STA. 7+81.22 TO STA. 20+00.00

- ⑤ - FROM STA. 9+13.28 TO STA. 11+62.68
- ①⑥ - FROM STA. 16+39.47 TO STA. 19+12.97
- ①⑥⑦ - FROM STA. 7+81.22 TO STA. 14+89.91
- ② - FROM STA. 15+44.13 TO STA. 19+88.06
- ② - FROM STA. 14+18.22 TO STA. 19+15.50
- ④ - FROM STA. 16+22.89 TO STA. 19+15.50

LEGEND:

- ① - TEMPORARY PAVEMENT, 8"
- ② - TYPE II BARRICADES OR DRUMS WITH STEADY BURNING LIGHTS (50 FT C-C @ TANGENTS, 25 FT C-C @ TAPERS & 12 FT C-C ALONG RADII)
- ③ - THERMOPLASTIC PAVEMENT MARKING
- ④ - PAVEMENT MARKING TAPE, TY. III
- ⑤ - EXISTING PAVEMENT MARKING
- ⑥ - VERTICAL PANELS WITH STEADY BURNING LIGHTS (50 FT C-C)

NOTES

1. SEE MAINTENANCE OF TRAFFIC PLAN SHEETS FOR THERMOPLASTIC PAVEMENT MARKINGS AND TAPE INFORMATION.
2. SEE MAINTENANCE OF TRAFFIC PLAN SHEETS FOR TEMPORARY PAVEMENT CONSTRUCTION STAGING.



USER NAME = Rdwj.Lisle
 PLOT CONFIG = PDF(Grey, Large).plt
 PLOT SCALE = 1:8.33333
 PLOT DATE = 7/29/2010

DESIGNED - MJV
 DRAWN - MJV
 CHECKED - JAH
 DATE - 8/2/2010

REVISED -
 REVISED -
 REVISED -
 REVISED -



**MCHENRY COUNTY
 DIVISION OF TRANSPORTATION**

**RAKOW ROAD FROM ACKMAN ROAD TO ILLINOIS ROUTE 31
 ACKMAN ROAD PROPOSED MAINTENANCE OF TRAFFIC TYPICAL SECTIONS**

SCALE: N/A SHEET NO. MOT 10 OF 100 STA. TO STA.

F.A.P. RTE.	SECTION	COUNTY	TOTAL SHEETS	SHEET NO.
0336	05-00308-00-WR	MCHENRY	606	56
FED. ROAD DIST. NO. ILLINOIS FED. AID PROJECT			CONTRACT NO. 63398	