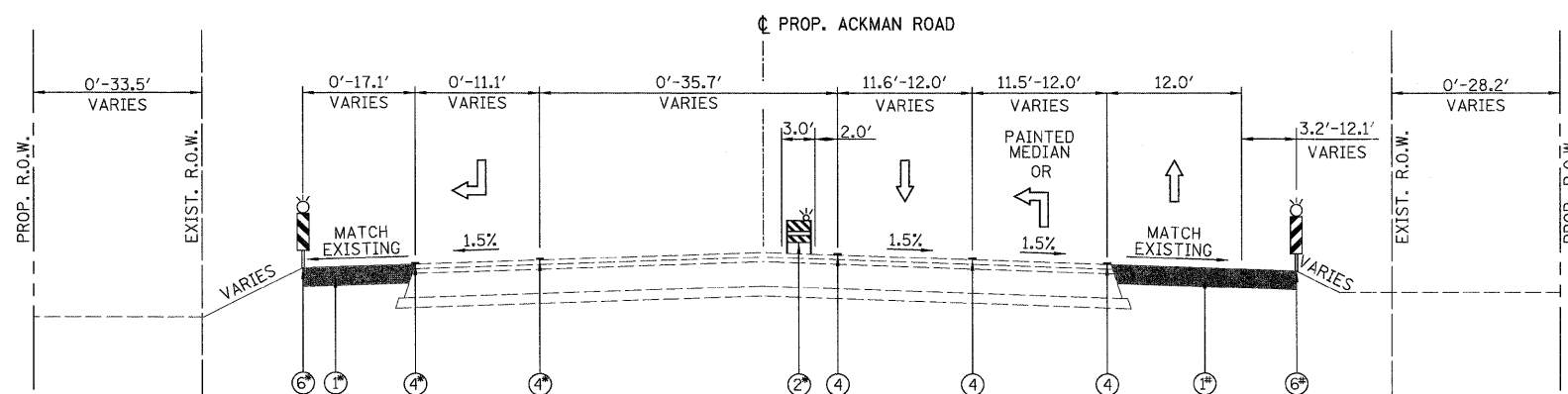
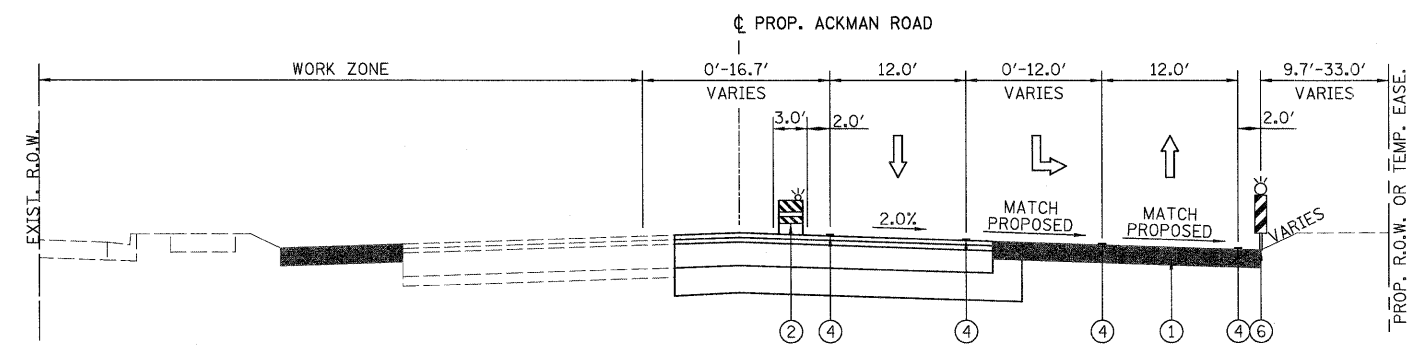


ACKMAN ROAD STAGE 1 SUBSTAGE B AND STAGE 1D SUBSTAGE 1
STA. 20+00.00 TO STA. 23+14.46



ACKMAN ROAD STAGE 1 SUBSTAGE C AND STAGE 1D SUBSTAGE 1
STA. 7+81.22 TO STA. 20+00.00

- ①⑥ - FROM STA. 16+39.47 TO STA. 19+12.97
- ①⑥ - FROM STA. 7+81.22 TO STA. 14+89.91
- ④ - FROM STA. 15+44.13 TO STA. 19+88.06
- ② - FROM STA. 10+57.44 TO STA. 19+30.50
- ④ - FROM STA. 10+57.44 TO STA. 11+78.44



ACKMAN ROAD STAGE 1 SUBSTAGE C AND STAGE 1D SUBSTAGE 1
STA. 20+00 TO STA. 23+17.76

LEGEND:

- ① - TEMPORARY PAVEMENT, 8"
- ② - TYPE II BARRICADES OR DRUMS WITH STEADY BURNING LIGHTS (50 FT C-C @ TANGENTS, 25 FT C-C @ TAPERS & 12 FT C-C ALONG RADII)
- ③ - THERMOPLASTIC PAVEMENT MARKING
- ④ - PAVEMENT MARKING TAPE, TY. III
- ⑤ - EXISTING PAVEMENT MARKING
- ⑥ - VERTICAL PANELS WITH STEADY BURNING LIGHTS (50 FT C-C)

NOTES

1. SEE MAINTENANCE OF TRAFFIC PLAN SHEETS FOR THERMOPLASTIC PAVEMENT MARKINGS AND TAPE INFORMATION.
2. SEE MAINTENANCE OF TRAFFIC PLAN SHEETS FOR TEMPORARY PAVEMENT CONSTRUCTION STAGING.



USER NAME = Rdwy_Lisle	DESIGNED - MJV	REVISED -
PLOT CONFIG = PDF(Grey, Large).plt	DRAWN - MJV	REVISED -
PLOT SCALE = 1:8,33333	CHECKED - JAH	REVISED -
PLOT DATE = 7/29/2010	DATE - 8/2/2010	REVISED -



**MCHENRY COUNTY
DIVISION OF TRANSPORTATION**

**RAKOW ROAD FROM ACKMAN ROAD TO ILLINOIS ROUTE 31
ACKMAN ROAD PROPOSED MAINTENANCE OF TRAFFIC TYPICAL SECTIONS**

SCALE: N/A SHEET NO. MOT 11 OF 100 STA. TO STA.

F.A.P. RTE. 0336	SECTION 05-00308-00-WR	COUNTY MCHENRY	TOTAL SHEETS 606	SHEET NO. 57
FED. ROAD DIST. NO. ILLINOIS		FED. AID PROJECT CONTRACT NO. 63398		