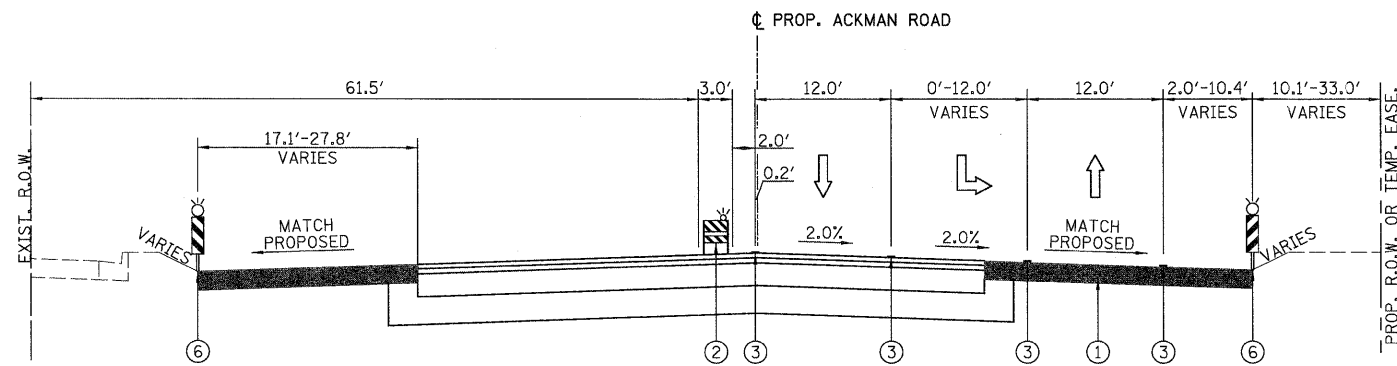


ACKMAN ROAD STAGE 2 SUBSTAGE A

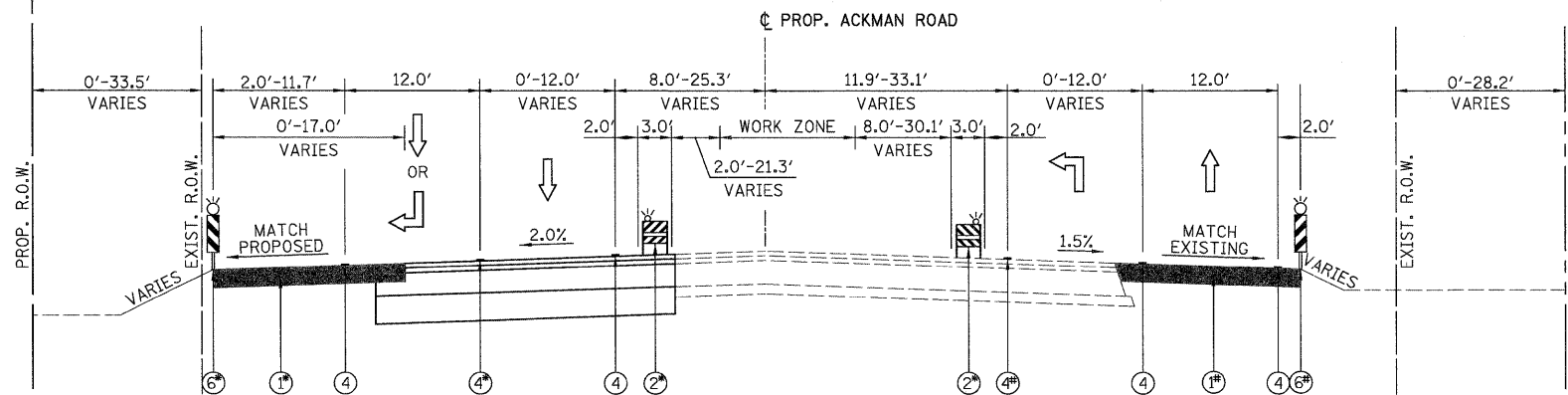
STA. 7+81.22 TO STA. 20+00.00

- ①⑥ - FROM STA. 7+81.22 TO STA. 14+89.91
- FROM STA. 15+44.13 TO STA. 19+88.06
- ③ - FROM STA. 14+74.10 TO STA. 19+79.87



ACKMAN ROAD STAGE 2 SUBSTAGE A

STA. 20+00.00 TO STA. 23+17.76



ACKMAN ROAD STAGE 2 SUBSTAGE B

STA. 7+81.22 TO STA. 20+00.00

- ①⑥ - FROM STA. 14+23.93 TO STA. 18+90.13
- ①⑥⑧ - FROM STA. 7+81.22 TO STA. 14+89.91
- FROM STA. 15+44.13 TO STA. 19+88.06
- ② - FROM STA. 9+05.61 TO STA. 19+86.45
- ④ - FROM STA. 9+10.18 TO STA. 14+10.18
- ④⑧ - FROM STA. 16+72.29 TO STA. 19+86.45

LEGEND:

- ① - TEMPORARY PAVEMENT, 8"
- ② - TYPE II BARRICADES OR DRUMS WITH STEADY BURNING LIGHTS (50 FT C-C @ TANGENTS, 25 FT C-C @ TAPERS & 12 FT C-C ALONG RADII)
- ③ - THERMOPLASTIC PAVEMENT MARKING
- ④ - PAVEMENT MARKING TAPE, TY. III
- ⑤ - EXISTING PAVEMENT MARKING
- ⑥ - VERTICAL PANELS WITH STEADY BURNING LIGHTS (50 FT C-C)

NOTES

1. SEE MAINTENANCE OF TRAFFIC PLAN SHEETS FOR THERMOPLASTIC PAVEMENT MARKINGS AND TAPE INFORMATION.
2. SEE MAINTENANCE OF TRAFFIC PLAN SHEETS FOR TEMPORARY PAVEMENT CONSTRUCTION STAGING.



USER NAME = Rdky_Lisle
 PLOT CONFIG = PDF(Grey_Large).plt
 PLOT SCALE = 1:8.33333
 PLOT DATE = 7/29/2010

DESIGNED - MJV
 DRAWN - MJV
 CHECKED - JAH
 DATE - 8/2/2010

REVISED -
 REVISED -
 REVISED -
 REVISED -



**MCHENRY COUNTY
 DIVISION OF TRANSPORTATION**

**RAKOW ROAD FROM ACKMAN ROAD TO ILLINOIS ROUTE 31
 ACKMAN ROAD PROPOSED MAINTENANCE OF TRAFFIC TYPICAL SECTIONS**

SCALE: N/A SHEET NO. MOT 12 OF 100 STA. TO STA.

F.A.P. RTE. 0336	SECTION 05-00308-00-WR	COUNTY MCHENRY	TOTAL SHEETS 606	SHEET NO. 58
FED. ROAD DIST. NO. ILLINOIS FED. AID PROJECT		CONTRACT NO. 63398		