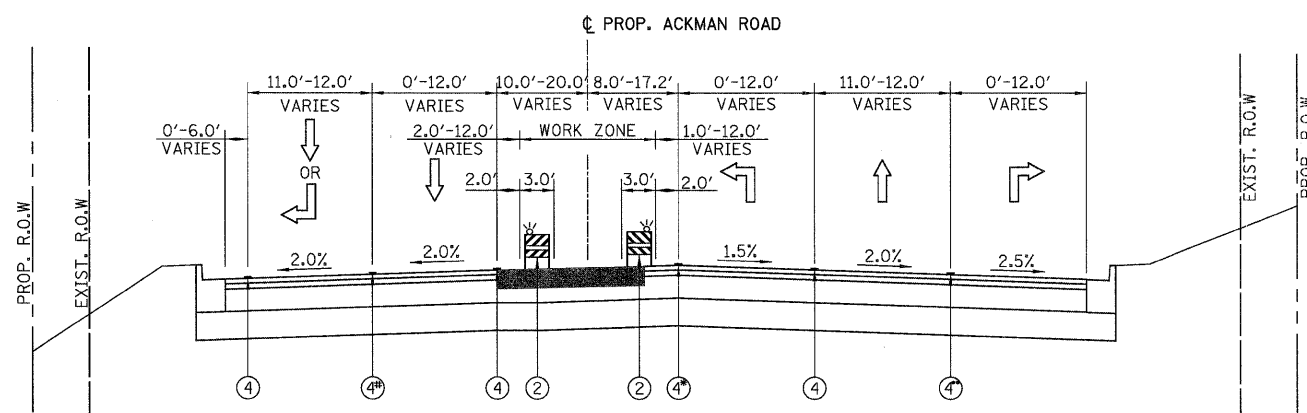


ACKMAN ROAD STAGE 2 SUBSTAGE C  
STA. 20+00.00 TO STA. 23+34.97



ACKMAN ROAD STAGE 3  
STA. 8+93.79 TO STA. 19+12.25  
④ - FROM STA. 12+10.18 TO STA. 13+97.18  
④ - FROM STA. 12+84.26 TO STA. 19+01.34  
④ - FROM STA. 15+84.25 TO STA. 19+01.34

**LEGEND:**

- ① - TEMPORARY PAVEMENT, 8"
- ② - TYPE II BARRICADES OR DRUMS WITH STEADY BURNING LIGHTS (50 FT C-C @ TANGENTS, 25 FT C-C @ TAPERS & 12 FT C-C ALONG RADII)
- ③ - THERMOPLASTIC PAVEMENT MARKING
- ④ - PAVEMENT MARKING TAPE, TY. III
- ⑤ - EXISTING PAVEMENT MARKING
- ⑥ - VERTICAL PANELS WITH STEADY BURNING LIGHTS (50 FT C-C)

**NOTES**

1. SEE MAINTENANCE OF TRAFFIC PLAN SHEETS FOR THERMOPLASTIC PAVEMENT MARKINGS AND TAPE INFORMATION.
2. SEE MAINTENANCE OF TRAFFIC PLAN SHEETS FOR TEMPORARY PAVEMENT CONSTRUCTION STAGING.



USER NAME = Rdky\_Lisle  
 PLOT CONFIG = PDF(Grey\_Large).plt  
 PLOT SCALE = 1:8.33333  
 PLOT DATE = 7/29/2010

DESIGNED - MJV  
 DRAWN - MJV  
 CHECKED - JAH  
 DATE - 8/2/2010

REVISED -  
 REVISED -  
 REVISED -  
 REVISED -



MCHENRY COUNTY  
DIVISION OF TRANSPORTATION

RAKOW ROAD FROM ACKMAN ROAD TO ILLINOIS ROUTE 31  
ACKMAN ROAD PROPOSED MAINTENANCE OF TRAFFIC TYPICAL SECTIONS

SCALE: N/A SHEET NO. MOT 14 OF 100 STA. TO STA.

F.A.P. RTE. 0336	SECTION 05-00308-00-WR	COUNTY MCHENRY	TOTAL SHEETS 606	SHEET NO. 60
FED. ROAD DIST. NO. ILLINOIS		FED. AID PROJECT		