

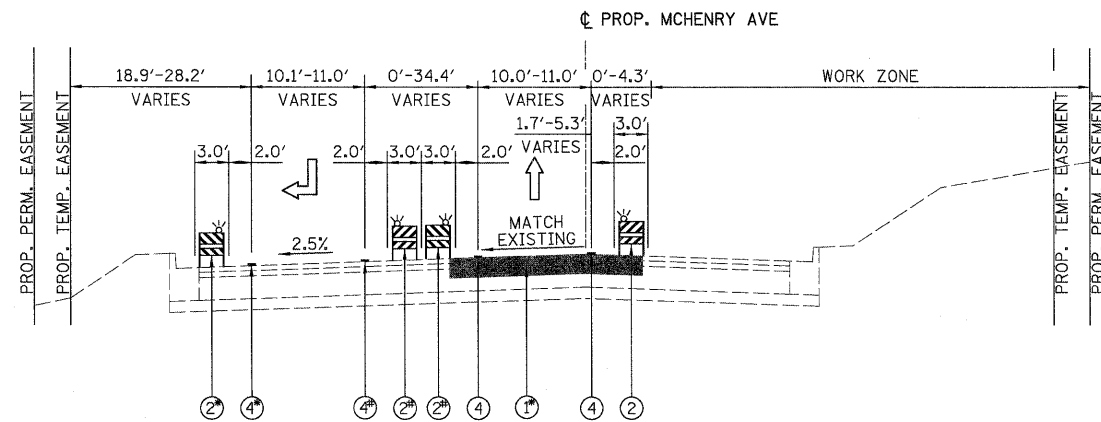
MCHENRY AVENUE STAGE 1 AND STAGE 1D SUBSTAGE 1

STA. 14+75.61 TO STA. 20+00.00

①⑥ - FROM STA. 14+75.61 TO STA. 19+07.64

④ - FROM STA. 16+02.02 TO STA. 19+31.50

⑤ - FROM STA. 16+95.88 TO STA. 19+07.31



MCHENRY AVENUE STAGE 1 SUBSTAGE A

STA. 20+00.00 TO STA. 23+35.20

① - FROM STA. 20+46.26 TO STA. 22+00.62

②④ - FROM STA. 20+07.03 TO STA. 22+07.58

③ - FROM STA. 20+07.00 TO STA. 20+81.65

④ - FROM STA. 20+07.03 TO STA. 21+90.39

LEGEND:

- ① - TEMPORARY PAVEMENT, 8"
- ② - TYPE II BARRICADES OR DRUMS WITH STEADY BURNING LIGHTS (50 FT C-C @ TANGENTS, 25 FT C-C @ TAPERS & 12 FT C-C ALONG RADII)
- ③ - THERMOPLASTIC PAVEMENT MARKING
- ④ - PAVEMENT MARKING TAPE, TY. III
- ⑤ - EXISTING PAVEMENT MARKING
- ⑥ - VERTICAL PANELS WITH STEADY BURNING LIGHTS (50 FT C-C)

NOTES

1. SEE MAINTENANCE OF TRAFFIC PLAN SHEETS FOR THERMOPLASTIC PAVEMENT MARKINGS AND TAPE INFORMATION.
2. SEE MAINTENANCE OF TRAFFIC PLAN SHEETS FOR TEMPORARY PAVEMENT CONSTRUCTION STAGING.



USER NAME = Rdwj_Lisle	DESIGNED - MJV	REVISED -
PLOT CONFID = PDF(Grey_Large).plt	DRAWN - MJV	REVISED -
PLOT SCALE = 1:8.33333	CHECKED - JAH	REVISED -
PLOT DATE = 7/29/2010	DATE - 8/2/2010	REVISED -



**MCHENRY COUNTY
DIVISION OF TRANSPORTATION**

**RAKOW ROAD FROM ACKMAN ROAD TO ILLINOIS ROUTE 31
MCHENRY AVE. PROPOSED MAINTENANCE OF TRAFFIC TYPICAL SECTIONS**

SCALE: N/A	SHEET NO. MOT 15 OF 100	STA. TO STA.
------------	-------------------------	--------------

F.A.P. RTE. 0336	SECTION 05-00308-00-WR	COUNTY MCHENRY	TOTAL SHEETS 606	SHEET NO. 61
FED. ROAD DIST. NO. ILLINOIS FED. AID PROJECT			CONTRACT NO. 63398	