

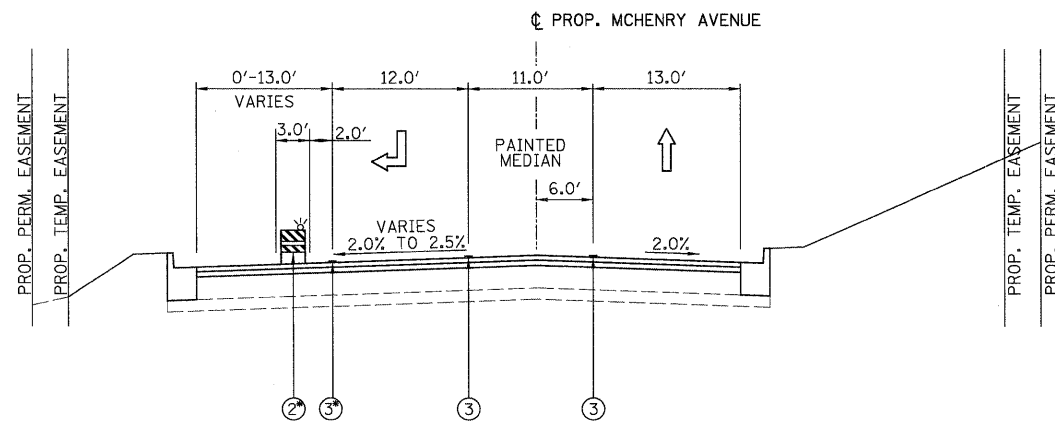
MCHENRY AVENUE STAGE 1D SUBSTAGES 2 AND 3

STA. 14+75.61 TO STA. 20+00.00

①⑥ - FROM STA. 14+75.61 TO STA. 19+07.64

④ - FROM STA. 16+02.02 TO STA. 19+31.50

⑤ - FROM STA. 16+95.88 TO STA. 19+31.20



MCHENRY AVENUE STAGE 1D AND STAGE 2

STA. 20+00.00 TO STA. 23+35.20

②③ - FROM STA. 20+53.04 TO STA. 22+15.19

LEGEND:

- ① - TEMPORARY PAVEMENT, 8"
- ② - TYPE II BARRICADES OR DRUMS WITH STEADY BURNING LIGHTS (50 FT C-C @ TANGENTS, 25 FT C-C @ TAPERS & 12 FT C-C ALONG RADII)
- ③ - THERMOPLASTIC PAVEMENT MARKING
- ④ - PAVEMENT MARKING TAPE, TY. III
- ⑤ - EXISTING PAVEMENT MARKING
- ⑥ - VERTICAL PANELS WITH STEADY BURNING LIGHTS (50 FT C-C)

NOTES

1. SEE MAINTENANCE OF TRAFFIC PLAN SHEETS FOR THERMOPLASTIC PAVEMENT MARKINGS AND TAPE INFORMATION.
2. SEE MAINTENANCE OF TRAFFIC PLAN SHEETS FOR TEMPORARY PAVEMENT CONSTRUCTION STAGING.

	USER NAME = Rdwy_Lisle	DESIGNED - MJV	REVISED -		RAKOW ROAD FROM ACKMAN ROAD TO ILLINOIS ROUTE 31 MCHENRY AVE. PROPOSED MAINTENANCE OF TRAFFIC TYPICAL SECTIONS			F.A.P. RTE. 0336	SECTION 05-00308-00-WR	COUNTY MCHENRY	TOTAL SHEETS 606	SHEET NO. 63
	PLOT CONFIG = PDF(Grey, Large).plt	DRAWN - MJV	REVISED -					FED. ROAD DIST. NO. ILLINOIS	FED. AID PROJECT			
PLOT SCALE = 1:8.33333	CHECKED - JAH	REVISED -		SCALE: N/A	SHEET NO. MOT 17 OF 100	STA. TO STA.						
PLOT DATE = 7/29/2010	DATE - 8/2/2010	REVISED -										