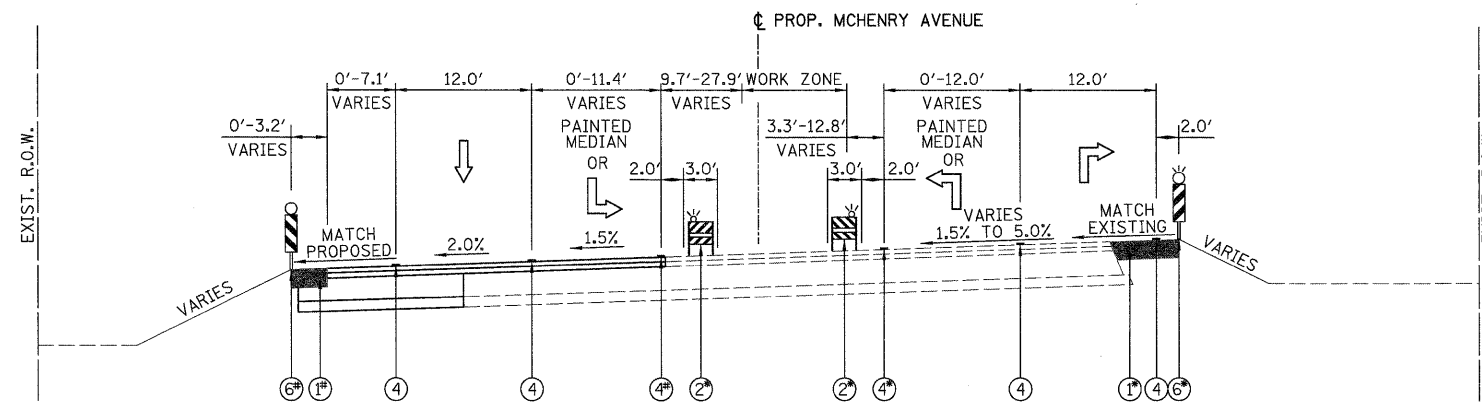


MCHENRY AVENUE STAGE 2 SUBSTAGE A
 STA. 7+33.26 TO STA. 20+00.00
 (1) (6) - FROM STA. 10+70.27 TO STA. 19+07.64
 (3) - FROM STA. 7+33.26 TO STA. 10+74.52
 FROM STA. 14+95.11 TO STA. 19+76.97



MCHENRY AVENUE STAGE 2 SUBSTAGE B
 STA. 7+33.26 TO STA. 20+00.00
 (1) (6) - FROM STA. 10+70.27 TO STA. 19+07.64
 (2) - FROM STA. 7+33.26 TO STA. 8+54.71
 (4) - FROM STA. 15+92.97 TO STA. 19+86.97
 (1) (6) - FROM STA. 16+65.25 TO STA. 17+89.02
 (4) - FROM STA. 7+33.26 TO STA. 10+74.52

LEGEND:

- ① - TEMPORARY PAVEMENT, 8"
- ② - TYPE II BARRICADES OR DRUMS WITH STEADY BURNING LIGHTS (50 FT C-C @ TANGENTS, 25 FT C-C @ TAPERS & 12 FT C-C ALONG RADII)
- ③ - THERMOPLASTIC PAVEMENT MARKING
- ④ - PAVEMENT MARKING TAPE, TY. III
- ⑤ - EXISTING PAVEMENT MARKING
- ⑥ - VERTICAL PANELS WITH STEADY BURNING LIGHTS (50 FT C-C)

NOTES

1. SEE MAINTENANCE OF TRAFFIC PLAN SHEETS FOR THERMOPLASTIC PAVEMENT MARKINGS AND TAPE INFORMATION.
2. SEE MAINTENANCE OF TRAFFIC PLAN SHEETS FOR TEMPORARY PAVEMENT CONSTRUCTION STAGING.

	USER NAME = Rdwy_Lisle	DESIGNED - MJV	REVISED -		MCHENRY COUNTY DIVISION OF TRANSPORTATION	RAKOW ROAD FROM ACKMAN ROAD TO ILLINOIS ROUTE 31 MCHENRY AVE. PROPOSED MAINTENANCE OF TRAFFIC TYPICAL SECTIONS			F.A.P. RTE. 0336	SECTION 05-00308-00-WR	COUNTY MCHENRY	TOTAL SHEETS 606	SHEET NO. 64
	PLOT CONFIG = PDF(Grey_Large).plt	DRAWN - MJV	REVISED -			SCALE: N/A	SHEET NO. MOT 18 OF 100	STA. TO STA.	FED. ROAD DIST. NO. ILLINOIS	FED. AID PROJECT	CONTRACT NO. 63398		
PLOT SCALE = 1:8.33333	CHECKED - JAH	REVISED -											
PLOT DATE = 7/29/2010	DATE - 8/2/2010	REVISED -											