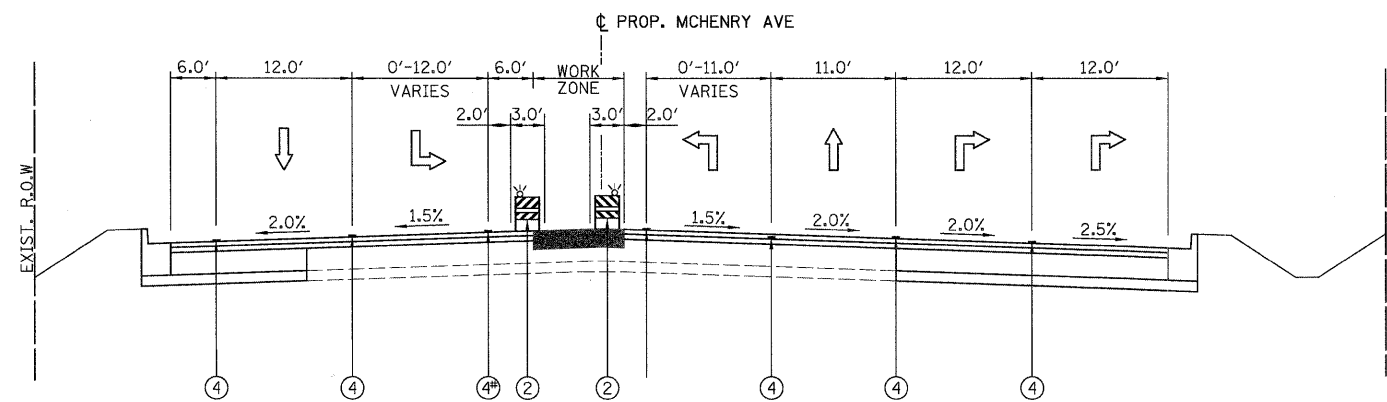


**MCHENRY AVENUE STAGE 2 SUBSTAGE C**  
 STA. 7+33.26 TO STA. 20+00.00  
 ① - FROM STA. 14+47.02 TO STA. 19+07.64  
 ①⑥ - FROM STA. 16+65.25 TO STA. 17+89.02



**MCHENRY AVENUE STAGE 3**  
 STA. 12+78.95 TO STA. 19+20.93  
 ④ - FROM STA. 12+78.95 TO STA. 15+84.95  
 ④ - FROM STA. 15+81.85 TO STA. 19+20.93

**LEGEND:**

- ① - TEMPORARY PAVEMENT, 8"
- ② - TYPE II BARRICADES OR DRUMS WITH STEADY BURNING LIGHTS (50 FT C-C @ TANGENTS, 25 FT C-C @ TAPERS & 12 FT C-C ALONG RADII)
- ③ - THERMOPLASTIC PAVEMENT MARKING
- ④ - PAVEMENT MARKING TAPE, TY. III
- ⑤ - EXISTING PAVEMENT MARKING
- ⑥ - VERTICAL PANELS WITH STEADY BURNING LIGHTS (50 FT C-C)

**NOTES**

1. SEE MAINTENANCE OF TRAFFIC PLAN SHEETS FOR THERMOPLASTIC PAVEMENT MARKINGS AND TAPE INFORMATION.
2. SEE MAINTENANCE OF TRAFFIC PLAN SHEETS FOR TEMPORARY PAVEMENT CONSTRUCTION STAGING.

	USER NAME = Rdwy_Lisle	DESIGNED - MJV	REVISED -		<b>RAKOW ROAD FROM ACKMAN ROAD TO ILLINOIS ROUTE 31</b> <b>MCHENRY AVE. PROPOSED MAINTENANCE OF TRAFFIC TYPICAL SECTIONS</b>			F.A.P. RTE.	SECTION	COUNTY	TOTAL SHEETS	SHEET NO.
	PLOT CONFIG = PDF(Grey, Large).plt	DRAWN - MJV	REVISED -					0336	05-00308-00-WR	MCHENRY	606	65
PLOT SCALE = 1:8,33333	CHECKED - JAH	REVISED -	REVISED -	SCALE: N/A			SHEET NO.	MOT 19 OF 100	STA.	TO STA.	FED. ROAD DIST. NO.	ILLINOIS FED. AID PROJECT
PLOT DATE = 7/27/2010	DATE - 8/2/2010	REVISED -	REVISED -								CONTRACT NO. 63398	