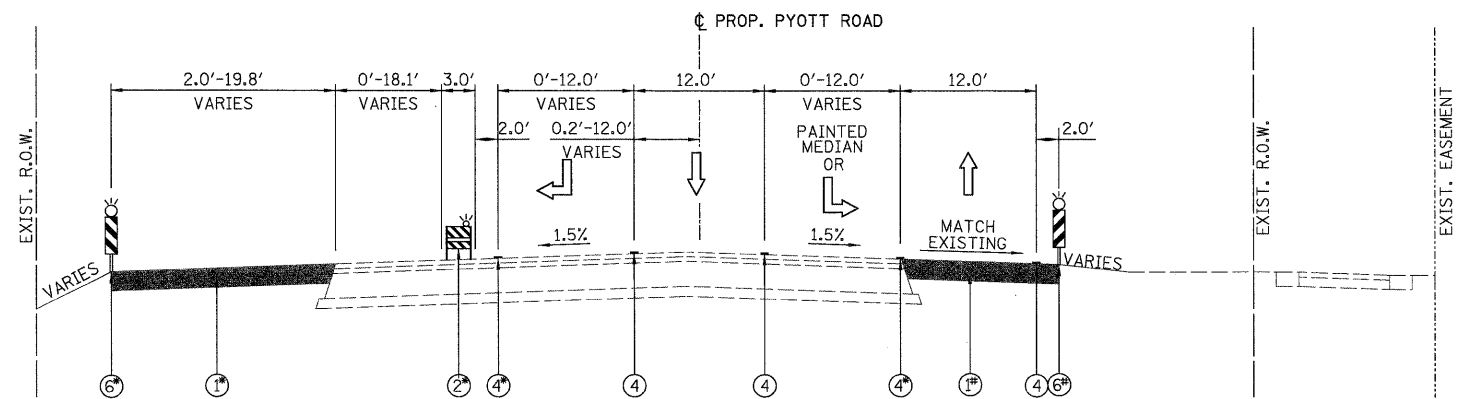


PYOTT ROAD STAGE 1 SUBSTAGE C

STA. 40+74.38 TO STA. 50+00.00

- ② - FROM STA. 42+82.91 TO STA. 50+00.00
- ④ - FROM STA. 42+82.91 TO STA. 45+02.22
- ④ - FROM STA. 40+82.91 TO STA. 42+82.91
- ② - FROM STA. 48+00.11 TO STA. 50+00.00
- ④ - FROM STA. 45+39.01 TO STA. 49+86.25



PYOTT ROAD STAGE 1 SUBSTAGE C AND STAGE 1D SUBSTAGE 1

STA. 50+00.00 TO STA. 63+77.53

- ①⑤ - FROM STA. 50+73.55 TO STA. 63+77.53
- ② - FROM STA. 50+44.86 TO STA. 61+55.98
- ④ - FROM STA. 50+73.54 TO STA. 54+81.54
- ①⑤ - FROM STA. 50+92.85 TO STA. 60+94.77

LEGEND:

- ① - TEMPORARY PAVEMENT, 8"
- ② - TYPE II BARRICADES OR DRUMS WITH STEADY BURNING LIGHTS (50 FT C-C @ TANGENTS, 25 FT C-C @ TAPERS & 12 FT C-C ALONG RADII)
- ③ - THERMOPLASTIC PAVEMENT MARKING
- ④ - PAVEMENT MARKING TAPE, TY. III
- ⑤ - EXISTING PAVEMENT MARKING
- ⑥ - VERTICAL PANELS WITH STEADY BURNING LIGHTS (50 FT C-C)

NOTES

1. SEE MAINTENANCE OF TRAFFIC PLAN SHEETS FOR THERMOPLASTIC PAVEMENT MARKINGS AND TAPE INFORMATION.
2. SEE MAINTENANCE OF TRAFFIC PLAN SHEETS FOR TEMPORARY PAVEMENT CONSTRUCTION STAGING.

	USER NAME = Rdwy_Lisle	DESIGNED - MJV	REVISED -		RAKOW ROAD FROM ACKMAN ROAD TO ILLINOIS ROUTE 31 PYOTT ROAD PROPOSED MAINTENANCE OF TRAFFIC TYPICAL SECTIONS			F.A.P. RTE. 0336	SECTION 05-00308-00-WR	COUNTY MCHENRY	TOTAL SHEETS 606	SHEET NO. 68
	PLOT CONFIG= PDF(Grey, Large).plt	DRAWN - MJV	REVISED -					SCALE: N/A	SHEET NO. MOT 22 OF 100	STA. TO STA.	FED. ROAD DIST. NO. ILLINOIS	FED. AID PROJECT
PLOT SCALE = 1:8.33333	CHECKED - JAH	DATE - 8/2/2010	REVISED -									
PLOT DATE = 7/29/2010												