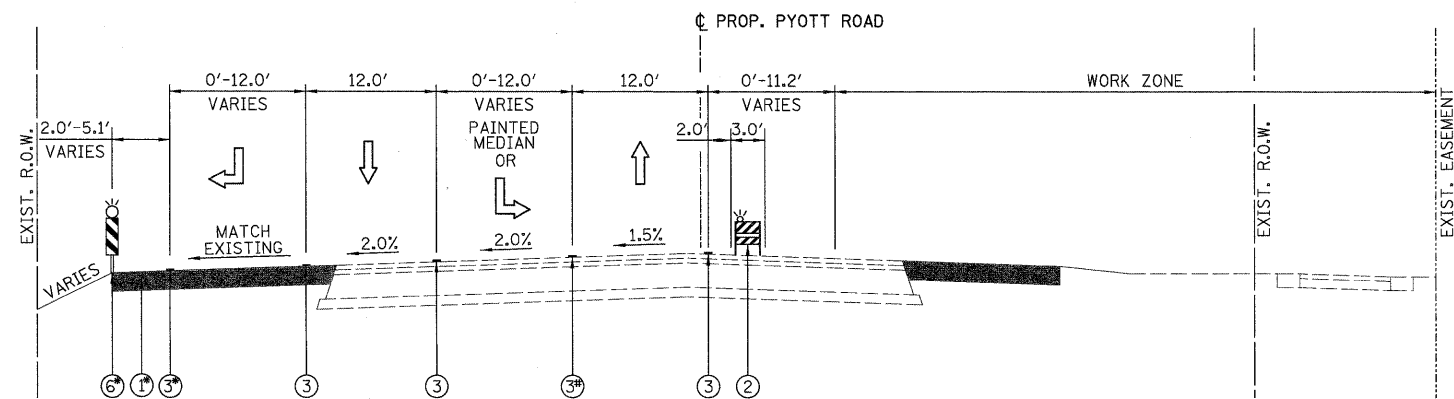


PYOTT ROAD STAGE 2 SUBSTAGE A AND STAGE 1D SUBSTAGE 3

STA. 40+75.66 TO STA. 50+00.00

- ①⑥ - FROM STA. 45+53.92 TO STA. 49+15.40
- ③ - FROM STA. 40+75.76 TO STA. 45+83.21
- ③ - FROM STA. 40+75.66 TO STA. 42+87.05
- FROM STA. 45+31.25 TO STA. 49+39.01
- ③ - FROM STA. 46+66.01 TO STA. 49+39.01



PYOTT ROAD STAGE 2 SUBSTAGE A

STA. 50+00.00 TO STA. 65+57.47

- ①⑥ - FROM STA. 50+73.55 TO STA. 63+77.53
- ③ - FROM STA. 50+15.93 TO STA. 52+88.93
- ③ - FROM STA. 50+15.93 TO STA. 55+38.91
- FROM STA. 63+86.50 TO STA. 65+57.47

LEGEND:

- ① - TEMPORARY PAVEMENT, 8"
- ② - TYPE II BARRICADES OR DRUMS WITH STEADY BURNING LIGHTS (50 FT C-C @ TANGENTS, 25 FT C-C @ TAPERS & 12 FT C-C ALONG RADII)
- ③ - THERMOPLASTIC PAVEMENT MARKING
- ④ - PAVEMENT MARKING TAPE, TY. III
- ⑤ - EXISTING PAVEMENT MARKING
- ⑥ - VERTICAL PANELS WITH STEADY BURNING LIGHTS (50 FT C-C)

NOTES

1. SEE MAINTENANCE OF TRAFFIC PLAN SHEETS FOR THERMOPLASTIC PAVEMENT MARKINGS AND TAPE INFORMATION.
2. SEE MAINTENANCE OF TRAFFIC PLAN SHEETS FOR TEMPORARY PAVEMENT CONSTRUCTION STAGING.



USER NAME = Rdwy_Lisle	DESIGNED - MJV	REVISED -
PLOT CONFIG = PDF(Gray_Large).plt	DRAWN - MJV	REVISED -
PLOT SCALE = 1:8.33333	CHECKED - JAH	REVISED -
PLOT DATE = 7/29/2010	DATE - 8/2/2010	REVISED -



**MCHENRY COUNTY
DIVISION OF TRANSPORTATION**

**RAKOW ROAD FROM ACKMAN ROAD TO ILLINOIS ROUTE 31
PYOTT ROAD PROPOSED MAINTENANCE OF TRAFFIC TYPICAL SECTIONS**

SCALE: N/A SHEET NO. MOT 23 OF 100 STA. TO STA.

F.A.P. RTE. 0336	SECTION 05-00308-00-WR	COUNTY MCHENRY	TOTAL SHEETS 606	SHEET NO. 69
FED. ROAD DIST. NO. ILLINOIS FED. AID PROJECT			CONTRACT NO. 63398	