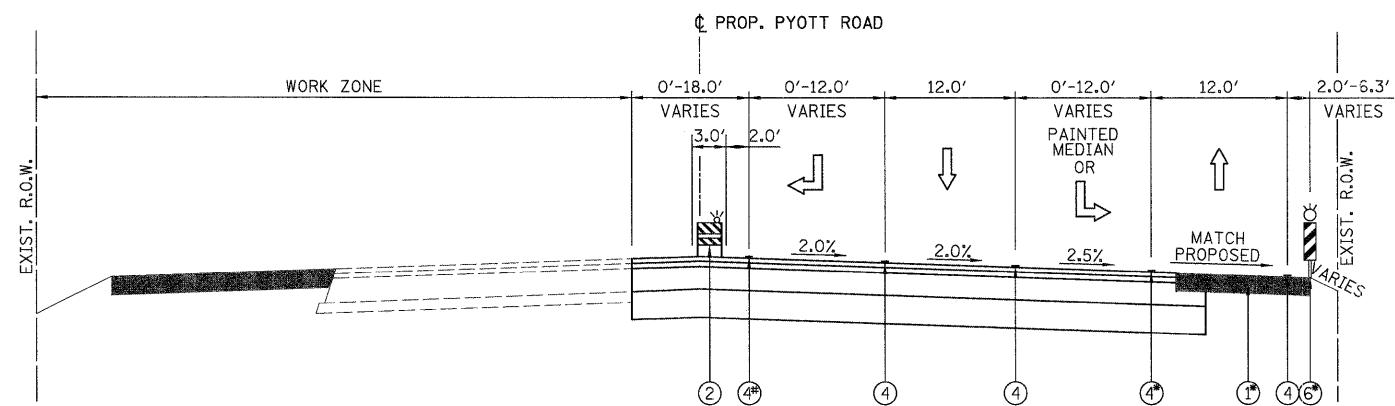


**PYOTT ROAD STAGE 2 SUBSTAGE C AND STAGE 1D SUBSTAGE 1**  
 STA. 40+74.29 TO STA. 50+00.00  
 ④ - FROM STA. 40+82.69 TO STA. 44+93.50



**PYOTT ROAD STAGE 2 SUBSTAGE C**  
 STA. 50+00.00 TO STA. 65+10.27  
 ①⑥ - FROM STA. 50+75.98 TO STA. 55+83.62  
 - FROM STA. 57+29.52 TO STA. 63+02.72  
 ④ - FROM STA. 50+15.93 TO STA. 54+32.82  
 - FROM STA. 62+53.26 TO STA. 65+10.27  
 ④ - FROM STA. 50+15.93 TO STA. 52+89.06

**LEGEND:**

- ① - TEMPORARY PAVEMENT, 8"
- ② - TYPE II BARRICADES OR DRUMS WITH STEADY BURNING LIGHTS (50 FT C-C @ TANGENTS, 25 FT C-C @ TAPERS & 12 FT C-C ALONG RADII)
- ③ - THERMOPLASTIC PAVEMENT MARKING
- ④ - PAVEMENT MARKING TAPE, TY. III
- ⑤ - EXISTING PAVEMENT MARKING
- ⑥ - VERTICAL PANELS WITH STEADY BURNING LIGHTS (50 FT C-C)

**NOTES**

1. SEE MAINTENANCE OF TRAFFIC PLAN SHEETS FOR THERMOPLASTIC PAVEMENT MARKINGS AND TAPE INFORMATION.
2. SEE MAINTENANCE OF TRAFFIC PLAN SHEETS FOR TEMPORARY PAVEMENT CONSTRUCTION STAGING.



USER NAME = Rdwy_Lis1e	DESIGNED - MJV	REVISED -
PLOT CONFIG = PDF(Grey_Large).plt	DRAWN - MJV	REVISED -
PLOT SCALE = 1:8.33333	CHECKED - JAH	REVISED -
PLOT DATE = 7/29/2010	DATE - 8/2/2010	REVISED -



**MCHENRY COUNTY  
 DIVISION OF TRANSPORTATION**

**RAKOW ROAD FROM ACKMAN ROAD TO ILLINOIS ROUTE 31  
 PYOTT ROAD PROPOSED MAINTENANCE OF TRAFFIC TYPICAL SECTIONS**

SCALE: N/A SHEET NO. MOT 25 OF 100 STA. TO STA.

F.A.P. RTE. 0336	SECTION 05-00308-00-WR	COUNTY MCHENRY	TOTAL SHEETS 606	SHEET NO. 71
FED. ROAD DIST. NO. ILLINOIS		FED. AID PROJECT CONTRACT NO. 63398		