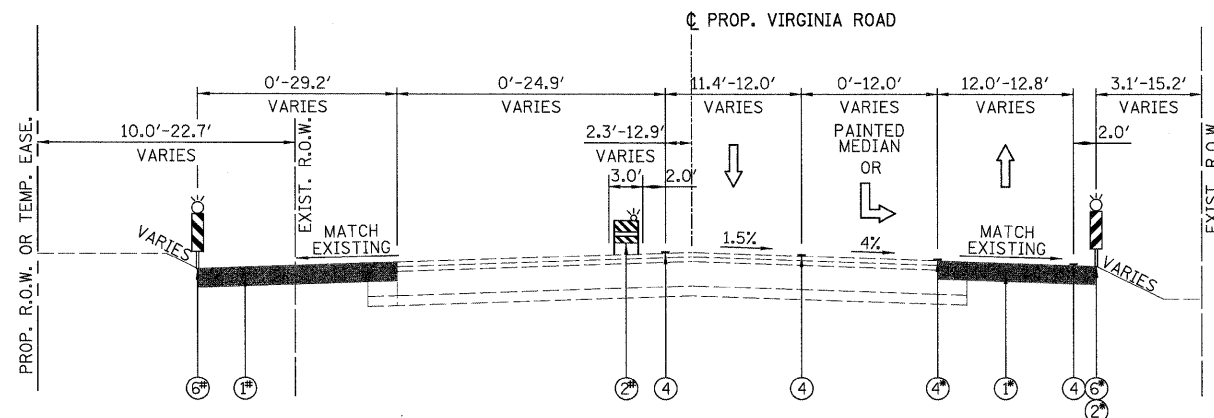


VIRGINIA ROAD STAGE 1 SUBSTAGE A

STA. 37+14.46 TO STA. 50+00.00

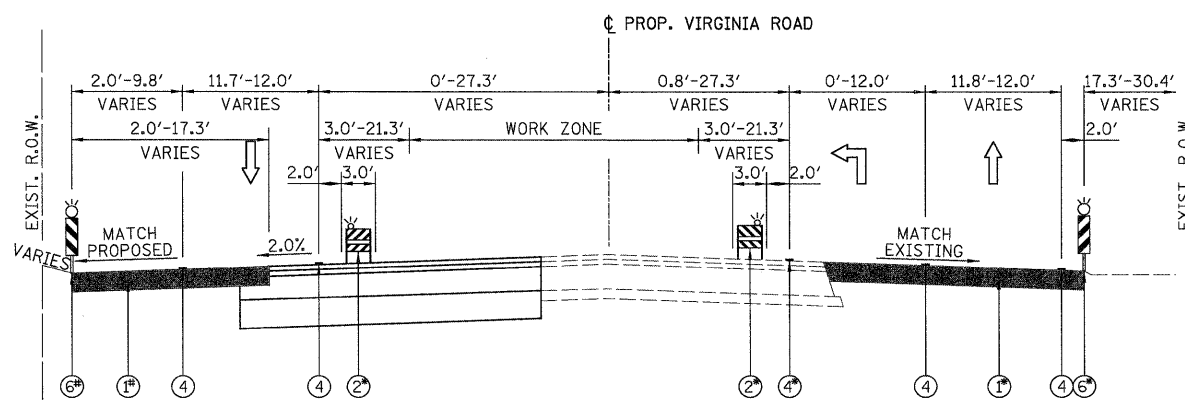
- ①⑥ - FROM STA. 37+35.48 TO STA. 49+19.09
- ④ - FROM STA. 43+74.28 TO STA. 49+58.04



VIRGINIA ROAD STAGE 1 SUBSTAGE A

STA. 50+00.00 TO STA. 61+04.99

- ①⑥ - FROM STA. 50+98.99 TO STA. 55+07.79
- ② - FROM STA. 55+07.79 TO STA. 58+03.97
- ④ - FROM STA. 50+98.99 TO STA. 55+15.72
- ①⑥ - FROM STA. 51+53.26 TO STA. 57+92.21
- FROM STA. 59+49.32 TO STA. 61+04.99
- ② - FROM STA. 51+53.26 TO STA. 58+03.97



VIRGINIA ROAD STAGE 1 SUBSTAGE B

STA. 37+14.46 TO STA. 50+00.00

- ①⑥ - FROM STA. 37+35.48 TO STA. 49+19.09
- ② - FROM STA. 38+20.01 TO STA. 50+00.00
- ④ - FROM STA. 46+74.04 TO STA. 49+58.04
- ①⑥ - FROM STA. 37+53.81 TO STA. 43+29.75
- FROM STA. 45+55.55 TO STA. 49+53.78

LEGEND:

- ① - TEMPORARY PAVEMENT, 8"
- ② - TYPE II BARRICADES OR DRUMS WITH STEADY BURNING LIGHTS (50 FT C-C @ TANGENTS, 25 FT C-C @ TAPERS & 12 FT C-C ALONG RADII)
- ③ - THERMOPLASTIC PAVEMENT MARKING
- ④ - PAVEMENT MARKING TAPE, TY. III
- ⑤ - EXISTING PAVEMENT MARKING
- ⑥ - VERTICAL PANELS WITH STEADY BURNING LIGHTS (50 FT C-C)

NOTES

1. SEE MAINTENANCE OF TRAFFIC PLAN SHEETS FOR THERMOPLASTIC PAVEMENT MARKINGS AND TAPE INFORMATION.
2. SEE MAINTENANCE OF TRAFFIC PLAN SHEETS FOR TEMPORARY PAVEMENT CONSTRUCTION STAGING.

	USER NAME = Rdwg_Lisle	DESIGNED - MJV	REVISED -		RAKOW ROAD FROM ACKMAN ROAD TO ILLINOIS ROUTE 31 VIRGINIA ROAD PROPOSED MAINTENANCE OF TRAFFIC TYPICAL SECTIONS		F.A.P. RTE. 0336	SECTION 05-00308-00-WR	COUNTY MCHENRY	TOTAL SHEETS 606	SHEET NO. 72
	PLOT CONFIG = PDF(Gray_Large).plt	DRAWN - MJV	REVISED -		SCALE: N/A	SHEET NO. MOT 26 OF 100	STA. TO STA.	FED. ROAD DIST. NO. ILLINOIS	FED. AID PROJECT	CONTRACT NO. 63398	
PLOT SCALE = 1/8,33333	CHECKED - JAH	REVISED -									
PLOT DATE = 7/29/2010	DATE - 8/2/2010	REVISED -									