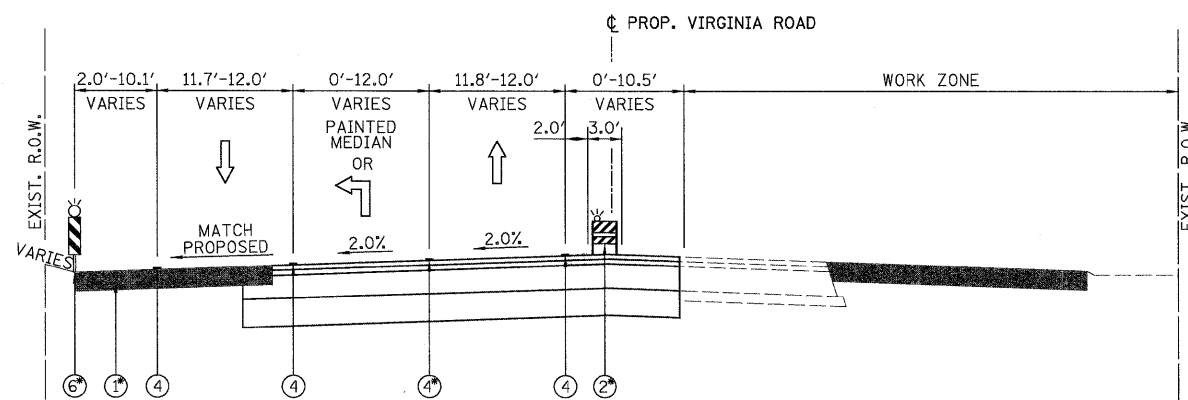


**VIRGINIA ROAD STAGE 1 SUBSTAGE B**

STA. 50+00.00 TO STA. 61+04.99

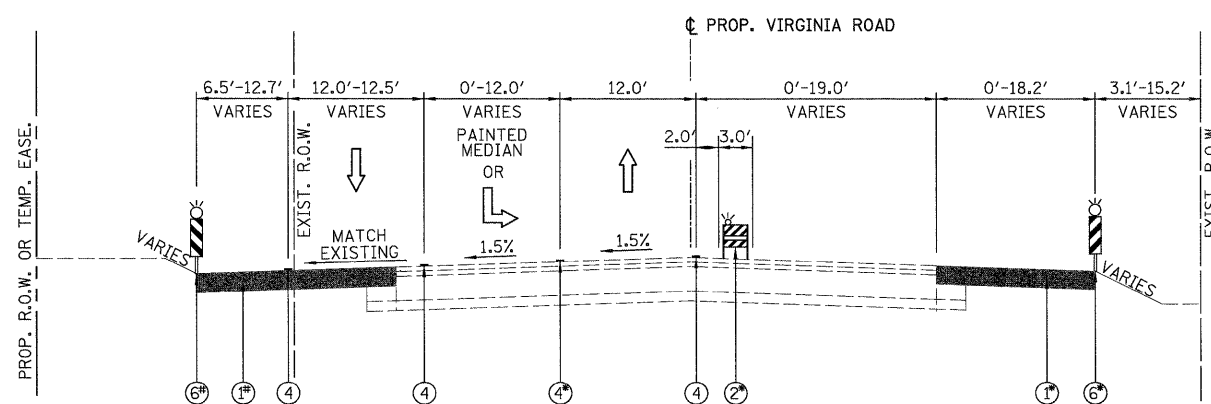
- ①⑥ - FROM STA. 50+98.99 TO STA. 55+07.79
- ② - FROM STA. 51+08.04 TO STA. 53+57.04
- ④ - FROM STA. 50+98.99 TO STA. 55+15.72
- ①⑥ - FROM STA. 51+53.26 TO STA. 57+92.21
- FROM STA. 59+49.32 TO STA. 61+04.99



**VIRGINIA ROAD STAGE 1 SUBSTAGE C**

STA. 37+14.46 TO STA. 50+00.00

- ①⑥ - FROM STA. 37+53.81 TO STA. 43+29.75
- FROM STA. 45+55.55 TO STA. 49+53.78
- ② - FROM STA. 37+60.93 TO STA. 50+00.00
- ④ - FROM STA. 45+41.74 TO STA. 49+93.50



**VIRGINIA ROAD STAGE 1 SUBSTAGE C**

STA. 50+00.00 TO STA. 61+04.99

- ①⑥ - FROM STA. 50+98.99 TO STA. 55+07.79
- ② - FROM STA. 50+23.32 TO STA. 58+04.42
- ④ - FROM STA. 51+13.50 TO STA. 59+93.77
- ①⑥ - FROM STA. 51+53.26 TO STA. 57+92.21
- FROM STA. 59+49.32 TO STA. 61+04.99

**LEGEND:**

- ① - TEMPORARY PAVEMENT, 8"
- ② - TYPE II BARRICADES OR DRUMS WITH STEADY BURNING LIGHTS (50 FT C-C @ TANGENTS, 25 FT C-C @ TAPERS & 12 FT C-C ALONG RADII)
- ③ - THERMOPLASTIC PAVEMENT MARKING
- ④ - PAVEMENT MARKING TAPE, TY. III
- ⑤ - EXISTING PAVEMENT MARKING
- ⑥ - VERTICAL PANELS WITH STEADY BURNING LIGHTS (50 FT C-C)

**NOTES**

1. SEE MAINTENANCE OF TRAFFIC PLAN SHEETS FOR THERMOPLASTIC PAVEMENT MARKINGS AND TAPE INFORMATION.
2. SEE MAINTENANCE OF TRAFFIC PLAN SHEETS FOR TEMPORARY PAVEMENT CONSTRUCTION STAGING.



USER NAME = Rdwj_Lisle	DESIGNED - MJV	REVISED -
PLOT CONFIG= PDF(Grey, Large).plt	DRAWN - MJV	REVISED -
PLOT SCALE = 1:8.33333	CHECKED - JAH	REVISED -
PLOT DATE = 7/29/2010	DATE - 8/2/2010	REVISED -



**MCHENRY COUNTY  
DIVISION OF TRANSPORTATION**

**RAKOW ROAD FROM ACKMAN ROAD TO ILLINOIS ROUTE 31  
VIRGINIA ROAD PROPOSED MAINTENANCE OF TRAFFIC TYPICAL SECTIONS**

SCALE: N/A SHEET NO. MOT 27 OF 100 STA. TO STA.

F.A.P. RTE. 0336	SECTION 05-00308-00-WR	COUNTY MCHENRY	TOTAL SHEETS 606	SHEET NO. 73
FED. ROAD DIST. NO. ILLINOIS		FED. AID PROJECT CONTRACT NO. 63398		