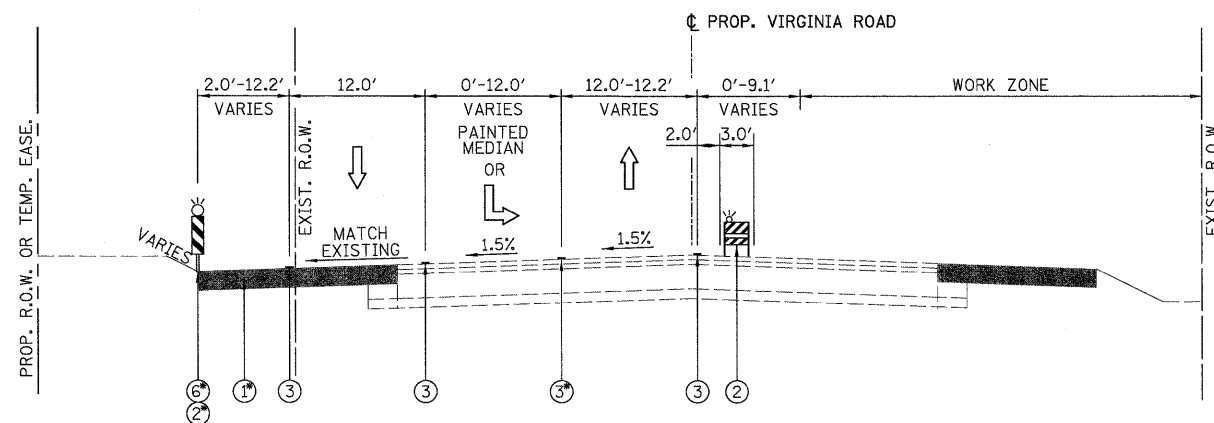


VIRGINIA ROAD STAGE 2 SUBSTAGE A

STA. 37+53.81 TO STA. 50+00.00

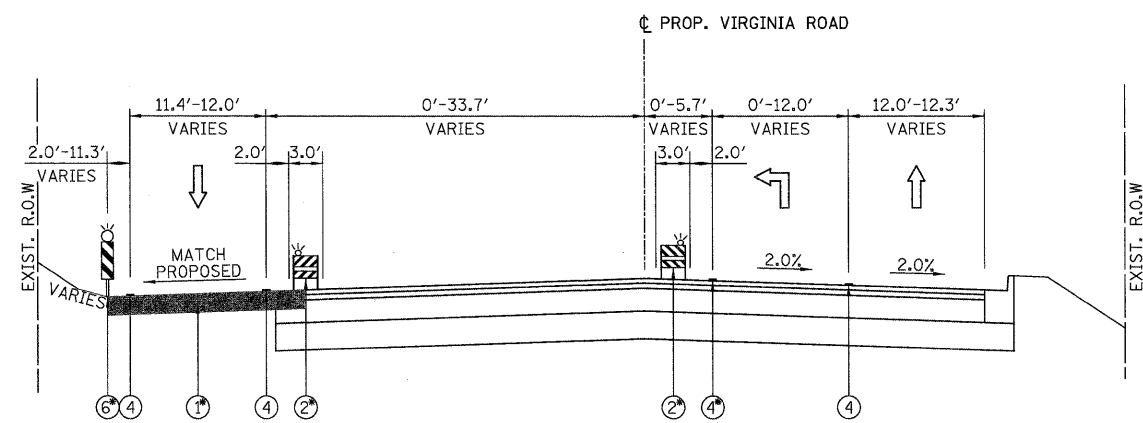
- ①⑥ - FROM STA. 37+53.81 TO STA. 43+29.75
- FROM STA. 45+55.55 TO STA. 49+53.78
- ② - FROM STA. 41+89.99 TO STA. 49+43.03
- ③ - FROM STA. 44+91.03 TO STA. 49+43.03



VIRGINIA ROAD STAGE 2 SUBSTAGE A

STA. 50+00.00 TO STA. 61+04.99

- ①⑥ - FROM STA. 51+53.26 TO STA. 57+92.21
- FROM STA. 59+49.32 TO STA. 61+04.99
- ② - FROM STA. 50+00.00 TO STA. 53+11.99
- ③ - FROM STA. 50+63.03 TO STA. 56+12.03



VIRGINIA ROAD STAGE 2 SUBSTAGE B

STA. 37+53.81 TO STA. 50+00.00

- ①⑥ - FROM STA. 37+53.81 TO STA. 43+29.75
- FROM STA. 45+55.55 TO STA. 49+53.78
- ② - FROM STA. 43+33.69 TO STA. 49+34.81
- ④ - FROM STA. 42+49.04 TO STA. 49+13.10

LEGEND:

- ① - TEMPORARY PAVEMENT, 8"
- ② - TYPE II BARRICADES OR DRUMS WITH STEADY BURNING LIGHTS (50 FT C-C @ TANGENTS, 25 FT C-C @ TAPERS & 12 FT C-C ALONG RADII)
- ③ - THERMOPLASTIC PAVEMENT MARKING
- ④ - PAVEMENT MARKING TAPE, TY. III
- ⑤ - EXISTING PAVEMENT MARKING
- ⑥ - VERTICAL PANELS WITH STEADY BURNING LIGHTS (50 FT C-C)

NOTES

1. SEE MAINTENANCE OF TRAFFIC PLAN SHEETS FOR THERMOPLASTIC PAVEMENT MARKINGS AND TAPE INFORMATION.
2. SEE MAINTENANCE OF TRAFFIC PLAN SHEETS FOR TEMPORARY PAVEMENT CONSTRUCTION STAGING.



USER NAME = Rdwy_Lisle
 PLOT CONFIG = PDF(Grey, Large).plt
 PLOT SCALE = 1:8.33333
 PLOT DATE = 7/29/2010

DESIGNED - MJV
 DRAWN - MJV
 CHECKED - JAH
 DATE - 8/2/2010

REVISED -
 REVISED -
 REVISED -
 REVISED -



**MCHENRY COUNTY
 DIVISION OF TRANSPORTATION**

**RAKOW ROAD FROM ACKMAN ROAD TO ILLINOIS ROUTE 31
 VIRGINIA ROAD PROPOSED MAINTENANCE OF TRAFFIC TYPICAL SECTIONS**

SCALE: N/A

SHEET NO. MOT 28 OF 100 STA. TO STA.

F.A.P. RTE. 0336	SECTION 05-00308-00-WR	COUNTY MCHENRY	TOTAL SHEETS 606	SHEET NO. 74
FED. ROAD DIST. NO. ILLINOIS FED. AID PROJECT		CONTRACT NO. 63398		