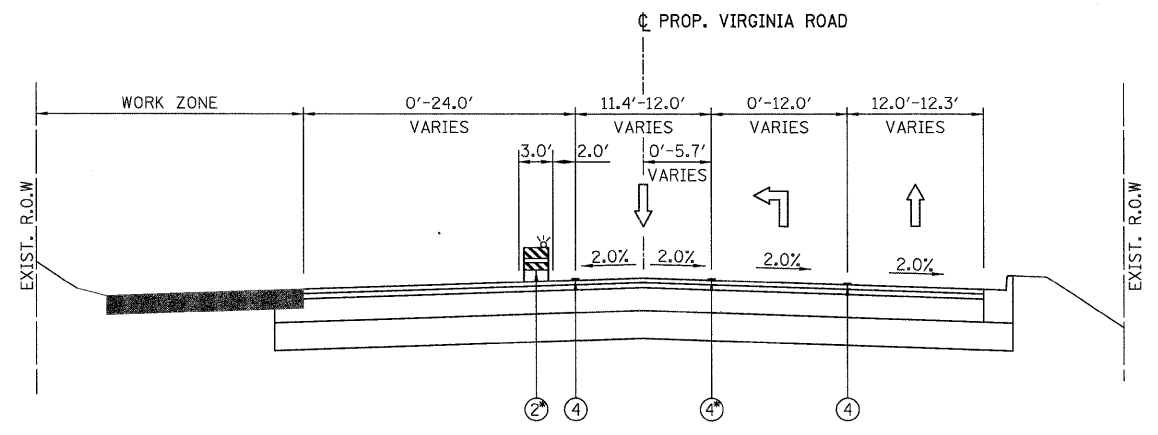


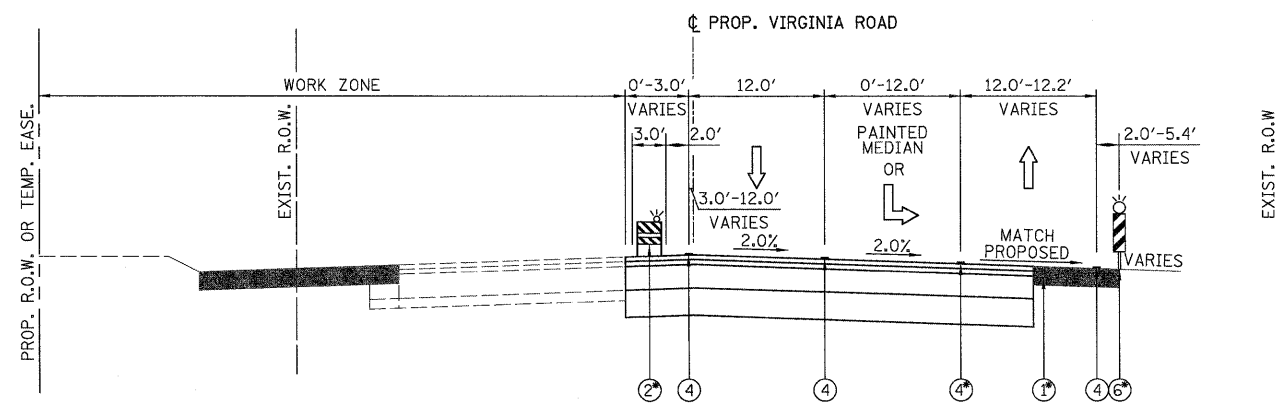
VIRGINIA ROAD STAGE 2 SUBSTAGE B

- STA. 50+00.00 TO STA. 61+04.99
- ①⑥ - FROM STA. 50+98.99 TO STA. 55+07.79
 - ② - FROM STA. 50+00.00 TO STA. 51+80.03
 - ④ - FROM STA. 50+63.03 TO STA. 54+80.03
 - ①⑥ - FROM STA. 50+75.49 TO STA. 53+14.93
 - FROM STA. 55+68.20 TO STA. 57+95.75
 - FROM STA. 58+46.44 TO STA. 60+31.68
 - ② - FROM STA. 50+23.32 TO STA. 58+04.42



VIRGINIA ROAD STAGE 2 SUBSTAGE C

- STA. 37+53.81 TO STA. 50+00.00
- ② - FROM STA. 41+56.26 TO STA. 49+34.81
 - ④ - FROM STA. 39+99.75 TO STA. 50+00.00



VIRGINIA ROAD STAGE 2 SUBSTAGE C

- STA. 50+00.00 TO STA. 61+04.99
- ①⑥ - FROM STA. 50+75.49 TO STA. 53+14.93
 - FROM STA. 55+68.20 TO STA. 57+95.75
 - FROM STA. 58+46.44 TO STA. 60+31.68
 - ② - FROM STA. 50+00.00 TO STA. 60+38.85
 - ④ - FROM STA. 50+23.65 TO STA. 55+67.96

- LEGEND:**
- ① - TEMPORARY PAVEMENT, 8"
 - ② - TYPE II BARRICADES OR DRUMS WITH STEADY BURNING LIGHTS (50 FT C-C @ TANGENTS, 25 FT C-C @ TAPERS & 12 FT C-C ALONG RADII)
 - ③ - THERMOPLASTIC PAVEMENT MARKING
 - ④ - PAVEMENT MARKING TAPE, TY. III
 - ⑤ - EXISTING PAVEMENT MARKING
 - ⑥ - VERTICAL PANELS WITH STEADY BURNING LIGHTS (50 FT C-C)

- NOTES**
1. SEE MAINTENANCE OF TRAFFIC PLAN SHEETS FOR THERMOPLASTIC PAVEMENT MARKINGS AND TAPE INFORMATION.
 2. SEE MAINTENANCE OF TRAFFIC PLAN SHEETS FOR TEMPORARY PAVEMENT CONSTRUCTION STAGING.

	USER NAME = Rduy_L.lis1e	DESIGNED - MJV	REVISED -		RAKOW ROAD FROM ACKMAN ROAD TO ILLINOIS ROUTE 31 VIRGINIA ROAD PROPOSED MAINTENANCE OF TRAFFIC TYPICAL SECTIONS			F.A.P. RTE. 0336	SECTION 05-00308-00-WR	COUNTY MCHENRY	TOTAL SHEETS 606	SHEET NO. 75
	PLOT CONFIG = PDF(Grey_Large).plt	DRAWN - MJV	REVISED -					FED. ROAD DIST. NO. [ILLINOIS] FED. AID PROJECT				
PLOT SCALE = 1:8.33333	CHECKED - JAH	REVISED -	REVISED -	SCALE: N/A	SHEET NO. MOT 29 OF 100	STA. TO STA.						
PLOT DATE = 7/29/2010	DATE - 8/2/2010	REVISED -	REVISED -									