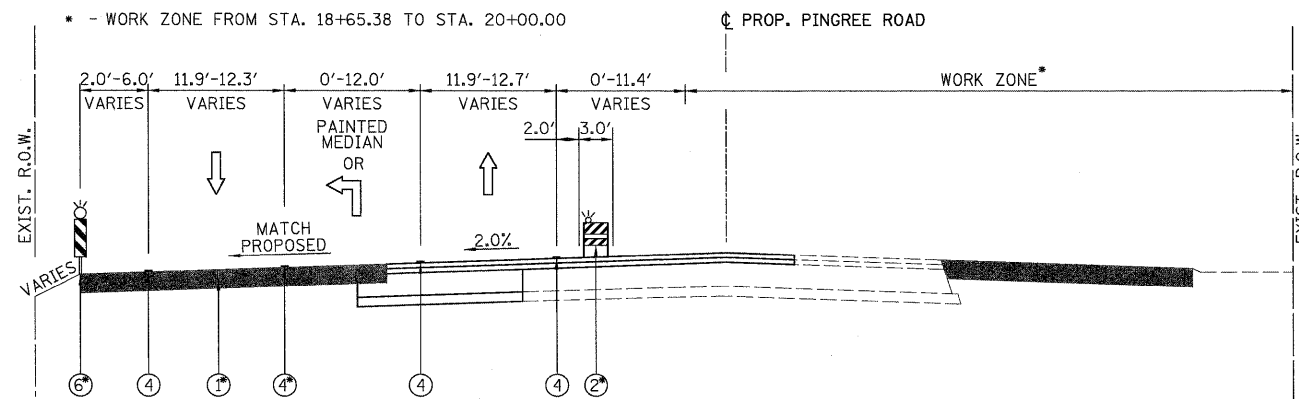


PINGREE ROAD STAGE 1 SUBSTAGE B

STA. 20+00.00 TO STA. 30+91.08

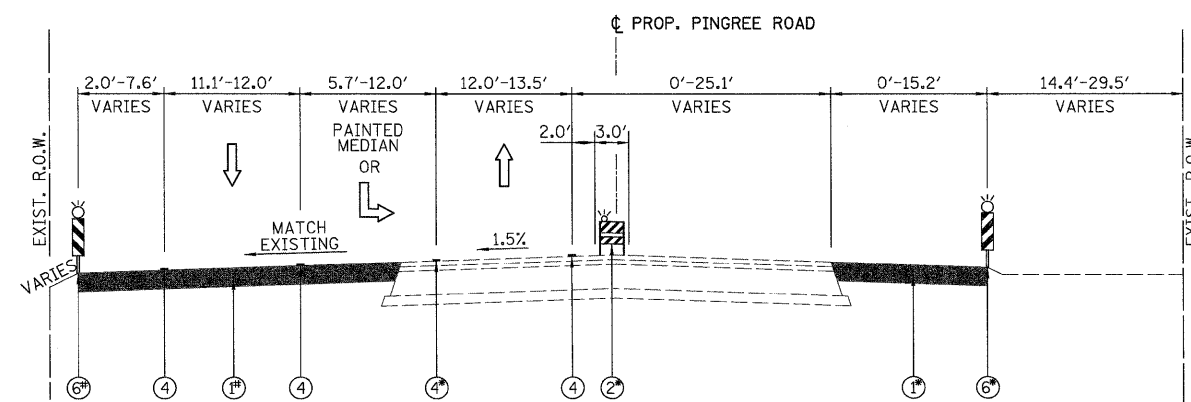
- ①⑥ - FROM STA. 20+60.28 TO STA. 23+66.64
- ② - FROM STA. 20+31.88 TO STA. 29+14.59
- ④ - FROM STA. 20+65.86 TO STA. 23+18.28
- ①⑥ - FROM STA. 20+63.11 TO STA. 30+91.08



PINGREE ROAD STAGE 1 SUBSTAGE C

STA. 13+00.00 TO STA. 20+00.00

- ①⑥ - FROM STA. 13+91.51 TO STA. 19+34.66
- ② - FROM STA. 15+08.17 TO STA. 20+00.00
- ④ - FROM STA. 14+08.81 TO STA. 19+69.33



PINGREE ROAD STAGE 1 SUBSTAGE C

STA. 20+00.00 TO STA. 30+91.08

- ①⑥ - FROM STA. 20+60.28 TO STA. 23+66.64
- ② - FROM STA. 20+38.18 TO STA. 29+64.14
- ④ - FROM STA. 20+60.79 TO STA. 29+85.01
- ①⑥ - FROM STA. 20+63.11 TO STA. 30+91.08

LEGEND:

- ① - TEMPORARY PAVEMENT, 8"
- ② - TYPE II BARRICADES OR DRUMS WITH STEADY BURNING LIGHTS (50 FT C-C @ TANGENTS, 25 FT C-C @ TAPERS & 12 FT C-C ALONG RADII)
- ③ - THERMOPLASTIC PAVEMENT MARKING
- ④ - PAVEMENT MARKING TAPE, TY. III
- ⑤ - EXISTING PAVEMENT MARKING
- ⑥ - VERTICAL PANELS WITH STEADY BURNING LIGHTS (50 FT C-C)

NOTES

1. SEE MAINTENANCE OF TRAFFIC PLAN SHEETS FOR THERMOPLASTIC PAVEMENT MARKINGS AND TAPE INFORMATION.
2. SEE MAINTENANCE OF TRAFFIC PLAN SHEETS FOR TEMPORARY PAVEMENT CONSTRUCTION STAGING.



USER NAME = Rdky.Lisle
 PLOT CONFIG = PDFI(Gray_Large).plt
 PLOT SCALE = 1:8.33333
 PLOT DATE = 7/29/2010

DESIGNED - MJV
 DRAWN - MJV
 CHECKED - JAH
 DATE - 8/2/2010



**MCHENRY COUNTY
 DIVISION OF TRANSPORTATION**

**RAKOW ROAD FROM ACKMAN ROAD TO ILLINOIS ROUTE 31
 PINGREE ROAD PROPOSED MAINTENANCE OF TRAFFIC TYPICAL SECTIONS**

SCALE: N/A SHEET NO. MOT 31 OF 100 STA. TO STA.

F.A.P. RTE. 0336	SECTION 05-00308-00-WR	COUNTY MCHENRY	TOTAL SHEETS 606	SHEET NO. 77
FED. ROAD DIST. NO. ILLINOIS FED. AID PROJECT			CONTRACT NO. 63398	