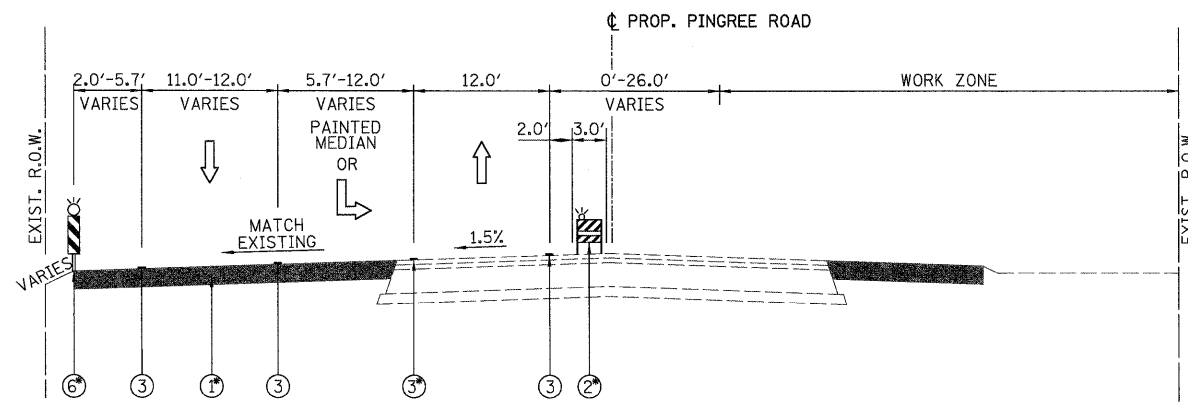


PINGREE ROAD STAGE 2 SUBSTAGE A

STA. 13+00.00 TO STA. 20+00.00

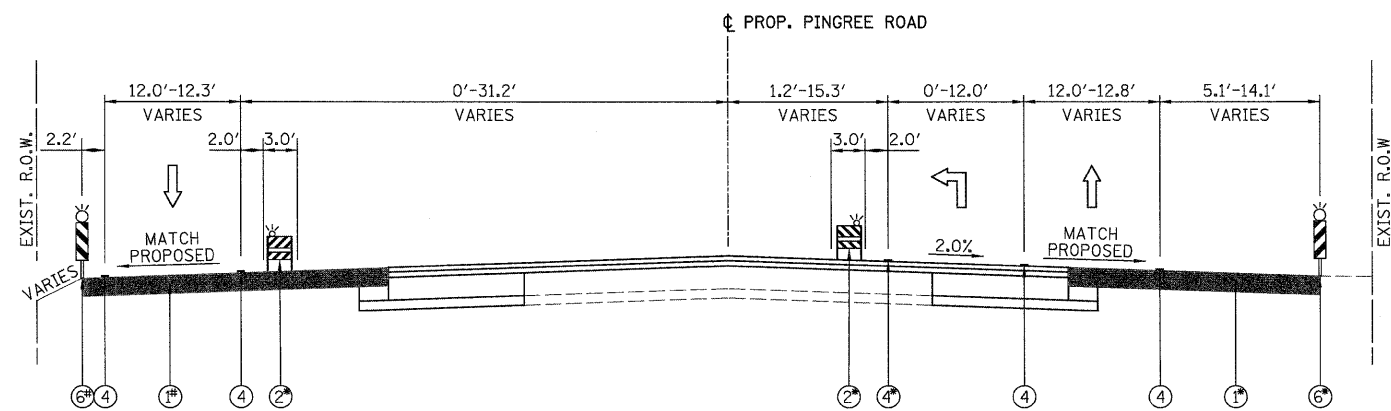
- ①⑥ - FROM STA. 14+47.10 TO STA. 19+41.47
- ② - FROM STA. 15+07.47 TO STA. 19+60.44
- ③ - FROM STA. 13+82.98 TO STA. 19+40.79
- ④⑥ - FROM STA. 13+91.51 TO STA. 19+34.66



PINGREE ROAD STAGE 2 SUBSTAGE A

STA. 20+00.00 TO STA. 30+91.08

- ①⑥ - FROM STA. 20+63.11 TO STA. 30+91.08
- ② - FROM STA. 20+00.00 TO STA. 29+84.98
- ③ - FROM STA. 20+24.05 TO STA. 29+99.56



PINGREE ROAD STAGE 2 SUBSTAGE B

STA. 13+00.00 TO STA. 20+00.00

- ①⑥ - FROM STA. 14+47.10 TO STA. 19+41.47
- ② - FROM STA. 14+49.62 TO STA. 19+40.82
- ④ - FROM STA. 16+82.86 TO STA. 19+40.82
- ④⑥ - FROM STA. 13+91.51 TO STA. 19+34.66

LEGEND:

- ① - TEMPORARY PAVEMENT, 8"
- ② - TYPE II BARRICADES OR DRUMS WITH STEADY BURNING LIGHTS (50 FT C-C @ TANGENTS, 25 FT C-C @ TAPERS & 12 FT C-C ALONG RADII)
- ③ - THERMOPLASTIC PAVEMENT MARKING
- ④ - PAVEMENT MARKING TAPE, TY. III
- ⑤ - EXISTING PAVEMENT MARKING
- ⑥ - VERTICAL PANELS WITH STEADY BURNING LIGHTS (50 FT C-C)

NOTES

1. SEE MAINTENANCE OF TRAFFIC PLAN SHEETS FOR THERMOPLASTIC PAVEMENT MARKINGS AND TAPE INFORMATION.
2. SEE MAINTENANCE OF TRAFFIC PLAN SHEETS FOR TEMPORARY PAVEMENT CONSTRUCTION STAGING.



USER NAME = Rduy_Lisle	DESIGNED - MJV	REVISED -
PLOT CONFIG = PDF(Grey_Large).plt	DRAWN - MJV	REVISED -
PLOT SCALE = 1:8.33333	CHECKED - JAH	REVISED -
PLOT DATE = 7/29/2010	DATE - 8/2/2010	REVISED -



**MCHENRY COUNTY
DIVISION OF TRANSPORTATION**

**RAKOW ROAD FROM ACKMAN ROAD TO ILLINOIS ROUTE 31
PINGREE ROAD PROPOSED MAINTENANCE OF TRAFFIC TYPICAL SECTIONS**

SCALE: N/A SHEET NO. MOT 32 OF 100 STA. TO STA.

F.A.P. RTE. 0336	SECTION 05-00308-00-WR	COUNTY MCHENRY	TOTAL SHEETS 606	SHEET NO. 78
FED. ROAD DIST. NO. ILLINOIS		FED. AID PROJECT CONTRACT NO. 63398		