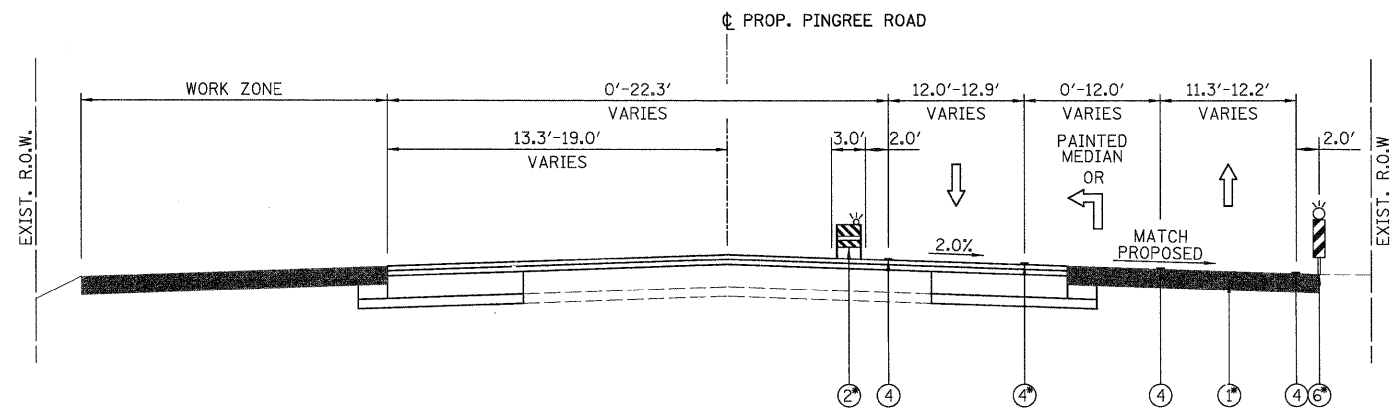


**PINGREE ROAD STAGE 2 SUBSTAGE B**

STA. 20+00.00 TO STA. 30+91.08

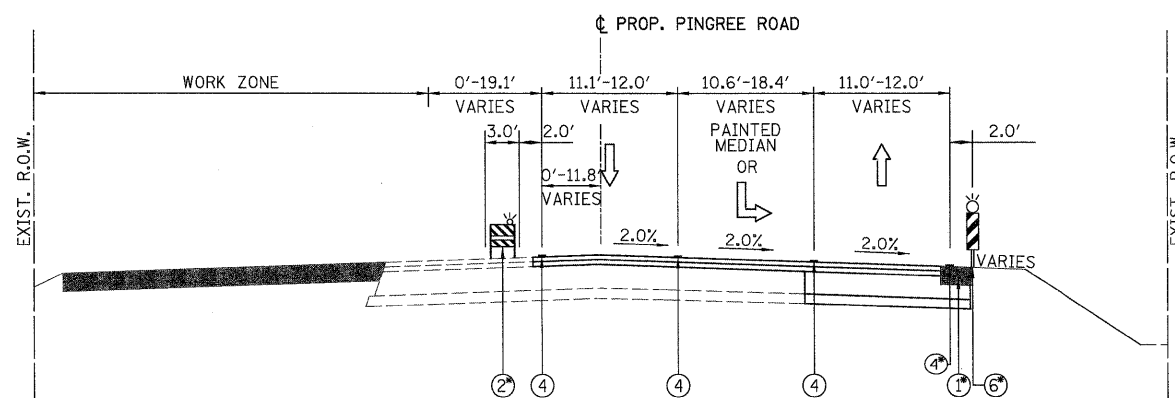
- ①⑥ - FROM STA. 20+63.11 TO STA. 30+91.08
- ② - FROM STA. 20+00.00 TO STA. 29+99.24
- ④ - FROM STA. 20+23.95 TO STA. 24+27.83
- ①⑥ - FROM STA. 21+35.08 TO STA. 23+67.47



**PINGREE ROAD STAGE 2 SUBSTAGE C**

STA. 13+00.00 TO STA. 20+00.00

- ①⑥ - FROM STA. 14+47.10 TO STA. 19+41.47
- ② - FROM STA. 13+66.83 TO STA. 19+45.99
- ④ - FROM STA. 10+37.29 TO STA. 19+43.49



**PINGREE ROAD STAGE 2 SUBSTAGE C**

STA. 20+00.00 TO STA. 30+91.08

- ①⑥ - FROM STA. 21+35.08 TO STA. 23+67.47
- ② - FROM STA. 20+00.00 TO STA. 29+99.24
- ④ - FROM STA. 20+00.00 TO STA. 23+13.62

**LEGEND:**

- ① - TEMPORARY PAVEMENT, 8"
- ② - TYPE II BARRICADES OR DRUMS WITH STEADY BURNING LIGHTS (50 FT C-C @ TANGENTS, 25 FT C-C @ TAPERS & 12 FT C-C ALONG RADII)
- ③ - THERMOPLASTIC PAVEMENT MARKING
- ④ - PAVEMENT MARKING TAPE, TY. III
- ⑤ - EXISTING PAVEMENT MARKING
- ⑥ - VERTICAL PANELS WITH STEADY BURNING LIGHTS (50 FT C-C)

**NOTES**

1. SEE MAINTENANCE OF TRAFFIC PLAN SHEETS FOR THERMOPLASTIC PAVEMENT MARKINGS AND TAPE INFORMATION.
2. SEE MAINTENANCE OF TRAFFIC PLAN SHEETS FOR TEMPORARY PAVEMENT CONSTRUCTION STAGING.



USER NAME = Rdwy\_Lisle  
 PLOT CONFIG = PDF(Grey\_Large).plt  
 PLOT SCALE = 1:8.33333  
 PLOT DATE = 7/29/2010

DESIGNED - MJV  
 DRAWN - MJV  
 CHECKED - JAH  
 DATE - 8/2/2010

REVISED -  
 REVISED -  
 REVISED -  
 REVISED -



**MCHENRY COUNTY  
 DIVISION OF TRANSPORTATION**

**RAKOW ROAD FROM ACKMAN ROAD TO ILLINOIS ROUTE 31  
 PINGREE ROAD PROPOSED MAINTENANCE OF TRAFFIC TYPICAL SECTIONS**

SCALE: N/A SHEET NO. MOT 33 OF 100 STA. TO STA.

F.A.P. RTE.	SECTION	COUNTY	TOTAL SHEETS	SHEET NO.
0336	05-00308-00-WR	MCHENRY	606	79
FED. ROAD DIST. NO. ILLINOIS FED. AID PROJECT			CONTRACT NO. 63398	