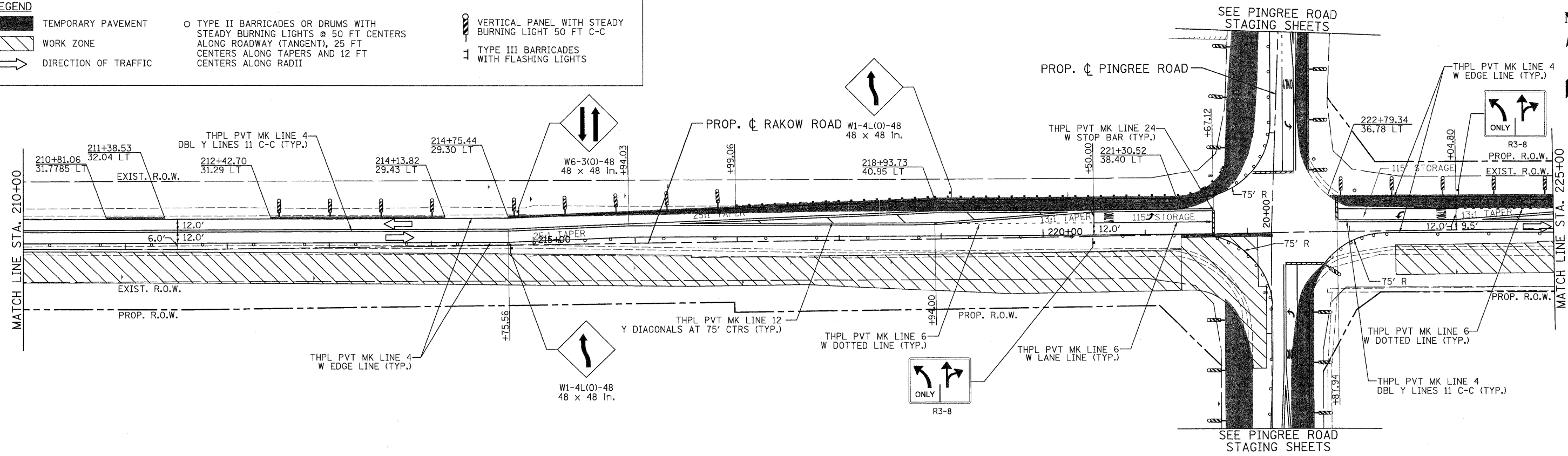


LEGEND

| | | | | | |
|--|----------------------|--|----------------------------------------------------------------------------------------------------------------------------------------------------------|--|----------------------------------------------------|
| | TEMPORARY PAVEMENT | | TYPE II BARRICADES OR DRUMS WITH STEADY BURNING LIGHTS @ 50 FT CENTERS ALONG ROADWAY (TANGENT), 25 FT CENTERS ALONG TAPERS AND 12 FT CENTERS ALONG RADII | | VERTICAL PANEL WITH STEADY BURNING LIGHT 50 FT C-C |
| | WORK ZONE | | TYPE III BARRICADES WITH FLASHING LIGHTS | | |
| | DIRECTION OF TRAFFIC | | | | |



| | | |
|------------------------------------|-----------------|-----------|
| USER NAME = rdwy_lisle | DESIGNED - MJV | REVISED - |
| PLOT CONFIG = PDF(Grey, Large).plt | DRAWN - EJB | REVISED - |
| PLOT SCALE = 1:50 | CHECKED - JAH | REVISED - |
| PLOT DATE = 7/29/2010 | DATE - 8/2/2010 | REVISED - |



**MCHENRY COUNTY
DIVISION OF TRANSPORTATION**

**RAKOW ROAD FROM ACKMAN ROAD TO ILLINOIS ROUTE 31
SUGGESTED STAGING OF CONSTRUCTION & TRAFFIC CONTROL
RAKOW ROAD STAGE 1**

SCALE: 1"=50' SHEET NO. MOT 39 OF 100 STA. 195+00 TO STA. 225+00

| | | | | |
|-----------------------------------------------|------------------------|--------------------|------------------|--------------|
| F.A.P. RTE. 0336 | SECTION 05-00308-00-WR | COUNTY MCHENRY | TOTAL SHEETS 606 | SHEET NO. 85 |
| FED. ROAD DIST. NO. ILLINOIS FED. AID PROJECT | | CONTRACT NO. 63398 | | |

G:\MCDOT\2010\Drawings\RDWY\shfts\MOT\05_S\MOT01_05.dgn