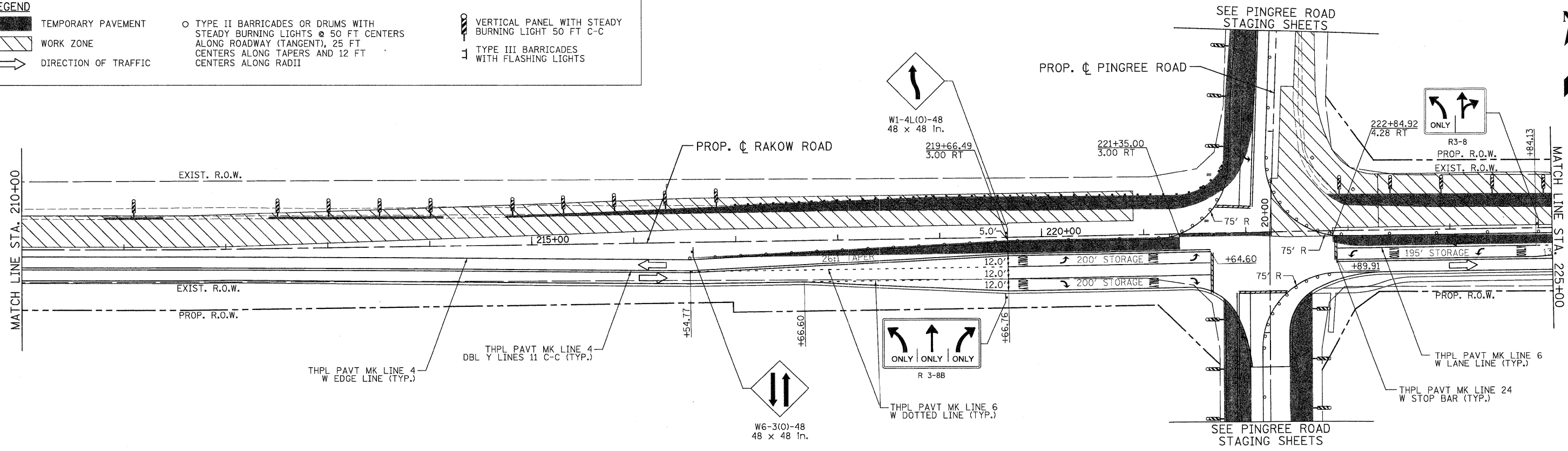


LEGEND

	TEMPORARY PAVEMENT		TYPE II BARRICADES OR DRUMS WITH STEADY BURNING LIGHTS @ 50 FT CENTERS ALONG ROADWAY (TANGENT), 25 FT CENTERS ALONG TAPERS AND 12 FT CENTERS ALONG RADII		VERTICAL PANEL WITH STEADY BURNING LIGHT 50 FT C-C
	WORK ZONE		TYPE III BARRICADES WITH FLASHING LIGHTS		
	DIRECTION OF TRAFFIC				



USER NAME = Rdwy_Lisle	DESIGNED - MJV	REVISED -
PLOT CONFIG= PDF(Grey, Large).plt	DRAWN - EJB	REVISED -
PLOT SCALE = 1/8"=1'	CHECKED - JAH	REVISED -
PLOT DATE = 7/29/2010	DATE - 8/2/2010	REVISED -



**MCHENRY COUNTY
DIVISION OF TRANSPORTATION**

**RAKOW ROAD FROM ACKMAN ROAD TO ILLINOIS ROUTE 31
SUGGESTED STAGING OF CONSTRUCTION & TRAFFIC CONTROL
RAKOW ROAD STAGE 2**

SCALE: 1"=50' SHEET NO. MOT 73 OF 100 STA. 195+00 TO STA. 225+00

F.A.P. RTE. 0336	SECTION 05-00308-00-WR	COUNTY MCHENRY	TOTAL SHEETS 606	SHEET NO. 119
FED. ROAD DIST. NO. ILLINOIS FED. AID PROJECT		CONTRACT NO. 63398		

Q:\MCD01\20950_02\Drawings\RDWY\shsta\MOT\35_S.MOT02_05.dgn