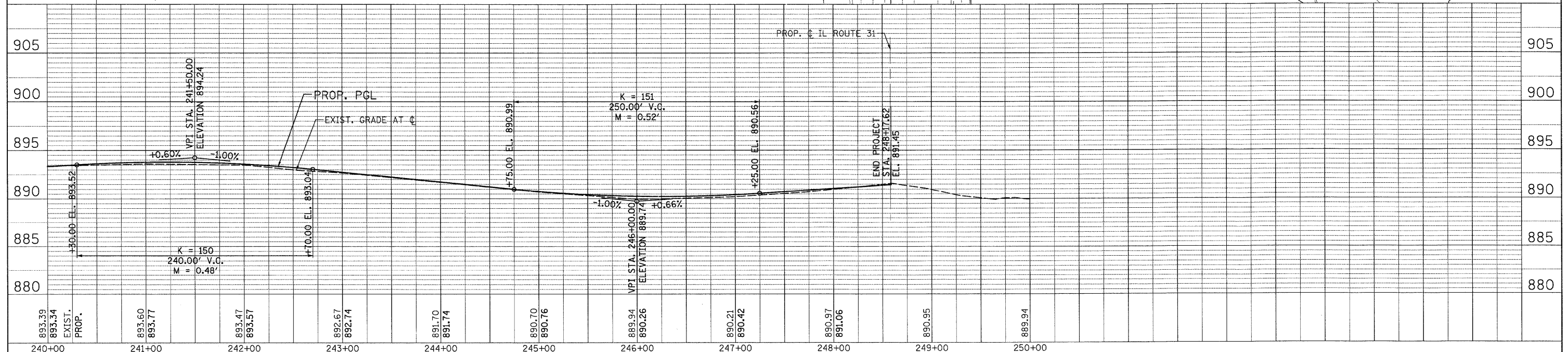
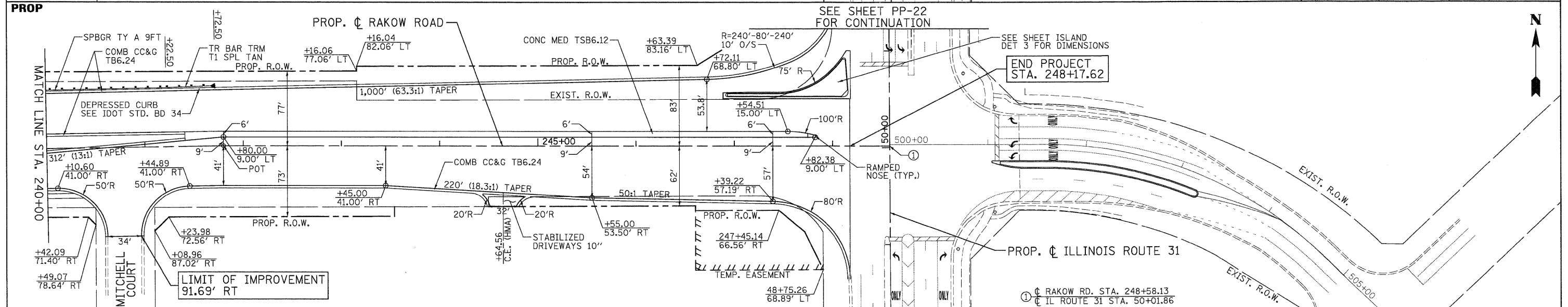
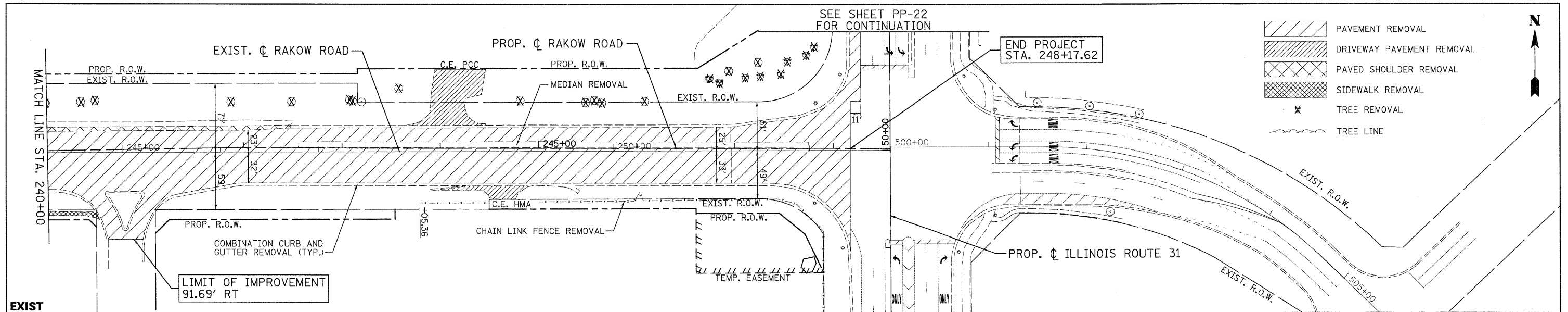


DATE	
BY	
SURVEYED	
PLOTTED	
CHECKED	
NO. OF PAGES	
CAD FILE NAME	
NO.	

DATE	
BY	
SURVEYED	
PLOTTED	
CHECKED	
NO. OF PAGES	
STRUCTURE NOTATIONS CHK'D	
NO.	



	USER NAME = Rdwj.Lisle PLOT CONFIG = PDF(Greg.Large).plt PLOT SCALE = 1:50 PLOT DATE = 7/28/2010 10:28:59 PM	DESIGNED - MJP DRAWN - TCK CHECKED - JAH DATE - 8/2/2010	REVISED - REVISED - REVISED - REVISED -		<b>RAKOW ROAD FROM ACKMAN ROAD TO ILLINOIS ROUTE 31</b> <b>RAKOW ROAD PROPOSED ROADWAY PLAN AND PROFILE</b>	F.A. RTE. 0336 SECTION 05-00308-00-WR COUNTY MCHENRY TOTAL SHEETS 606 SHEET NO. 159 CONTRACT NO. 63398
	SCALE: 1"=50' SHEET NO. PP 13 OF 25 STA. 240+00 TO STA. 248+17.62	FED. ROAD DIST. NO. ILLINOIS FED. AID PROJECT				

G:\MCDOT\2009\02\Drawings\RDWAY\shhs\RAKS\_PP\_13.dgn