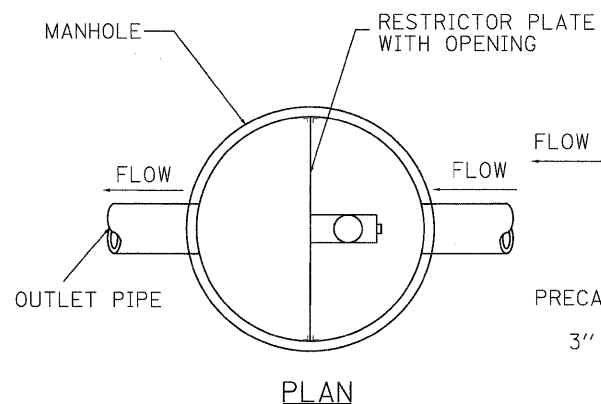
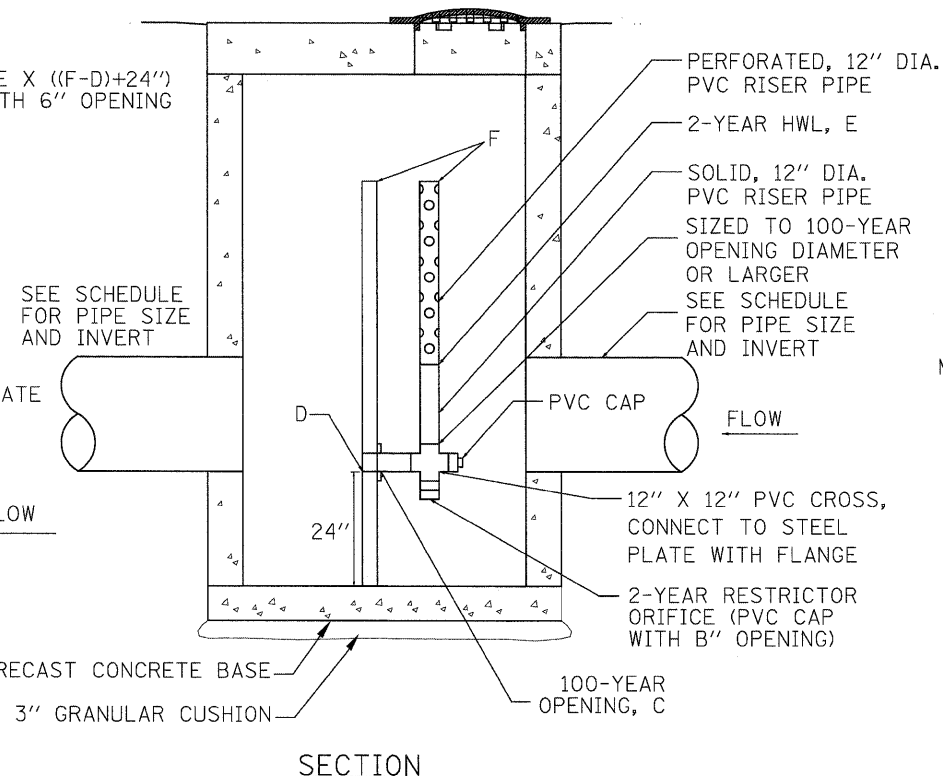


PLATE ELEVATION VIEW



PLAN



SECTION

RESTRICTOR MANHOLE STYLE A

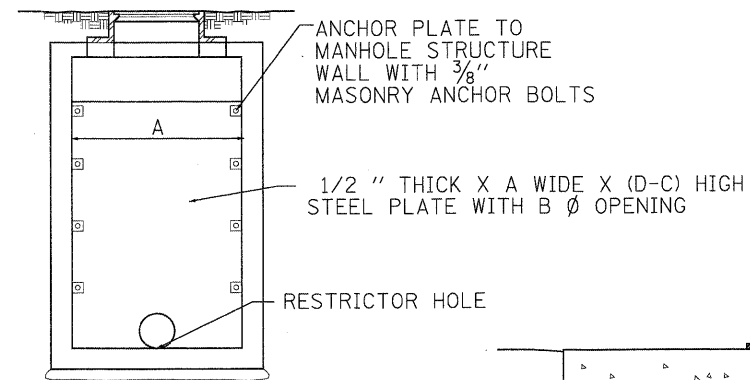
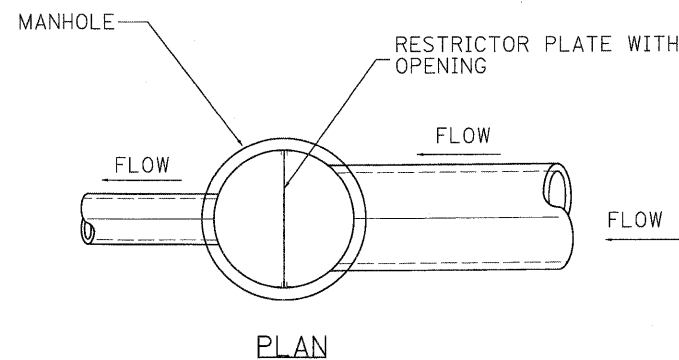
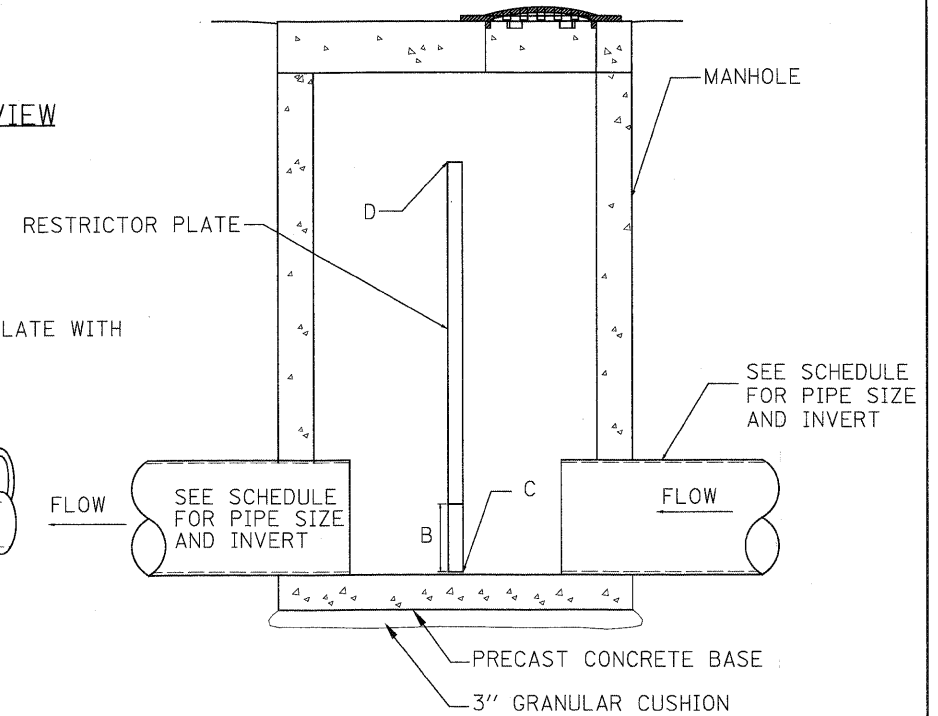


PLATE ELEVATION VIEW



PLAN



SECTION

RESTRICTOR MANHOLE STYLE B

STRUCTURE No.	RESTRICTOR No.	MANHOLES, SPECIAL, TYPE No.	STATION	OFFSET	MANHOLE WIDTH AT PLATE (FT.) A	2-YR RESTRICTOR DIAMETER (IN.) B	100-YR OPENING DIAMETER (IN.) C	INVERT OF 2-YR OPENING D	2-YEAR HWL ELEVATION E	ELEVATION OF TOP OF PLATE / RISER OVERFLOW F	
1-6	1	2	89+17.85	70.65	LT	6	10	12	867.21	868.91	872.38
2-4	2	2	91+72.00	64.00	LT	6	10	12	871.96	873.62	877.05
4-32	3	3	111+36.76	146.16	LT	7	6.5	10	865.00	868.51	870.29
8-18	4	2	141+10.00	51.00	RT	6	10	12	880.57	882.42	885.57
10-28	5	3	172+22.55	105.07	LT	7	10	10	875.00	877.31	879.01
13-1	6	3	195+73.40	41.03	RT	7	10	12	881.37	883.44	887.50
13-4	7	3	195+93.40	40.98	RT	7	7.2	8.3	881.37	883.25	886.90
14-1	8	3	211+64.00	41.00	RT	7	2.6	2.9	875.11	877.17	881.31
15-31	12	3	236+50.00	64.00	LT	7	8.4	9.0	880.65	882.84	887.12
17-6	13	3	10+00.13	38.29	LT	7	9.7	12	890.70	891.78	894.38

STRUCTURE No.	RESTRICTOR No.	MANHOLES, SPECIAL, TYPE No.	STATION	OFFSET	MANHOLE WIDTH AT PLATE (FT.) A	RESTRICTOR DIAMETER (IN.) B	INVERT OF RESTRICTOR C	ELEVATION OF TOP OF PLATE / RISER OVERFLOW D	
14-7	9	1	211+84.00	41.00	RT	6	19.1	873.52	879.94
14-39	10	1	223+14.80	49.85	RT	6	13.3	876.81	883.18
15-18	11	1	232+60.13	53.03	RT	6	12.5	877.45	883.61

NOTE: PVC PIPE SHALL BE SDR 35, ASTM D-3034



USER NAME = jmaack@chicago.R
 PLOT CONFIG = PDF(Grey, Large).plt
 PLOT SCALE = 1:50
 PLOT DATE = 7/29/2010

DESIGNED - D.DOERFLER
 DRAWN - D.DOERFLER
 CHECKED - E.CHOW
 DATE - 8/2/2010

REVISED -
 REVISED -
 REVISED -
 REVISED -



MCHENRY COUNTY
 DIVISION OF TRANSPORTATION

RAKOW ROAD FROM ACKMAN ROAD TO ILLINOIS ROUTE 31
 DRAINAGE DETAILS

SCALE: NA SHEET NO. DU 28 OF 47 STA. TO STA.

F.A.P. RTE.	SECTION	COUNTY	TOTAL SHEETS	SHEET NO.
0336	05-00308-00-WR	MCHENRY	606	211
FED. ROAD DIST. NO. ILLINOIS FED. AID PROJECT			CONTRACT NO. 63398	