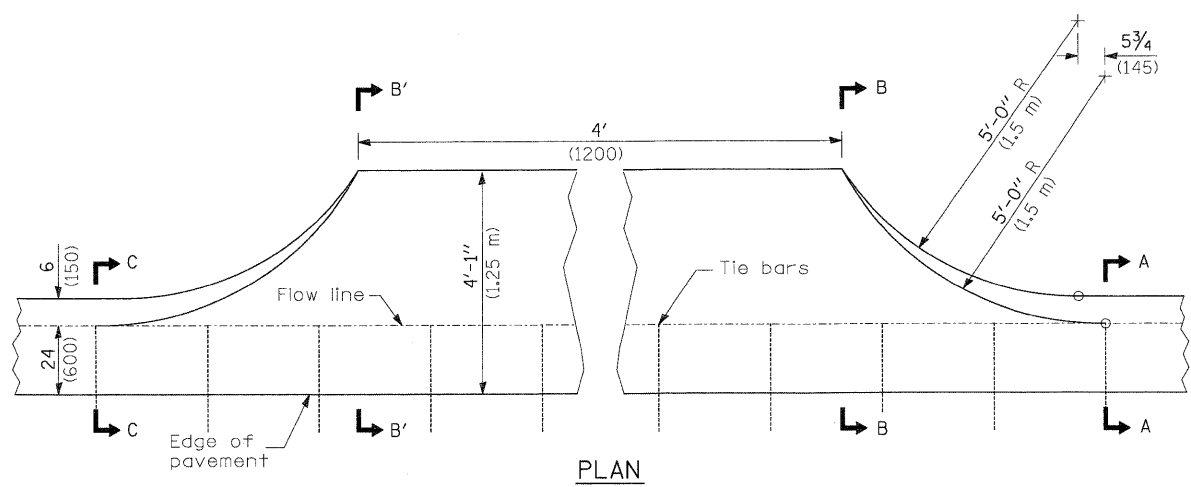


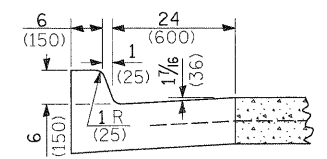
DITCH CHECK RESTRICTOR

DITCH CHECK RESTRICTOR TABLE								
RESTRICTOR No.	STATION	OFFSET		PIPE DIAMETER (IN.) C	TOP OF BERM ELEVATION	UPSTREAM INVERT ELEVATION A	DOWNSTREAM INVERT ELEVATION B	SLOPE (%) S
D-1	92+13	83.64	RT	8	874.22	872.86	872.82	0.30
D-2	114+00	95.90	LT	6	868.00	865.00	864.93	0.30
D-3	115+00	108.23	LT	6	870.67	865.3	865.19	0.30
D-4	126+00	85.05	LT	6	876.43	873.35	873.28	0.30
D-5	127+00	83.78	LT	6	878.46	874.49	874.41	0.30
D-6	129+00	84.36	LT	8	878.98	875.82	875.75	0.30
D-7	140+20	90.54	RT	12	873.78	872.06	872.02	0.30
D-8	163+10	86.05	RT	8	880.48	877.48	877.41	0.30

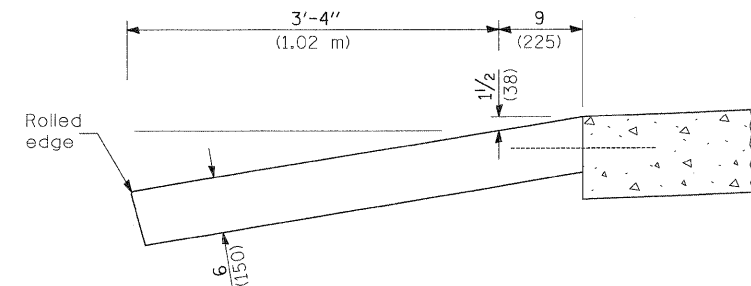
NOTE: PVC PIPE SHALL BE SDR 26, ASTM D-3034
DIP SHALL BE CLASS 50



PLAN



SECTIONS A-A & C-C



SECTIONS B-B & B'-B\'

GUTTER SAG OUTLET

GENERAL NOTES

Tie bars shall be No. 6 (No. 19) at 24 (600) centers unless otherwise shown.
Gutter, gutter inlet, gutter outlet and gutter entrance shall be tied to the pavement in accordance with details for longitudinal construction joint shown on Standard 420001.
Two 1-1/4 x 18 (32 x 450) dowel bars shall be installed in all joints when the gutter is constructed adjacent to flexible pavement.
All dimensions are in inches (millimeters) unless otherwise shown.

pr\chicago\modot\20950_001\drawings\rdwg\shhs\dra\5_Dra_Details_2.dgn