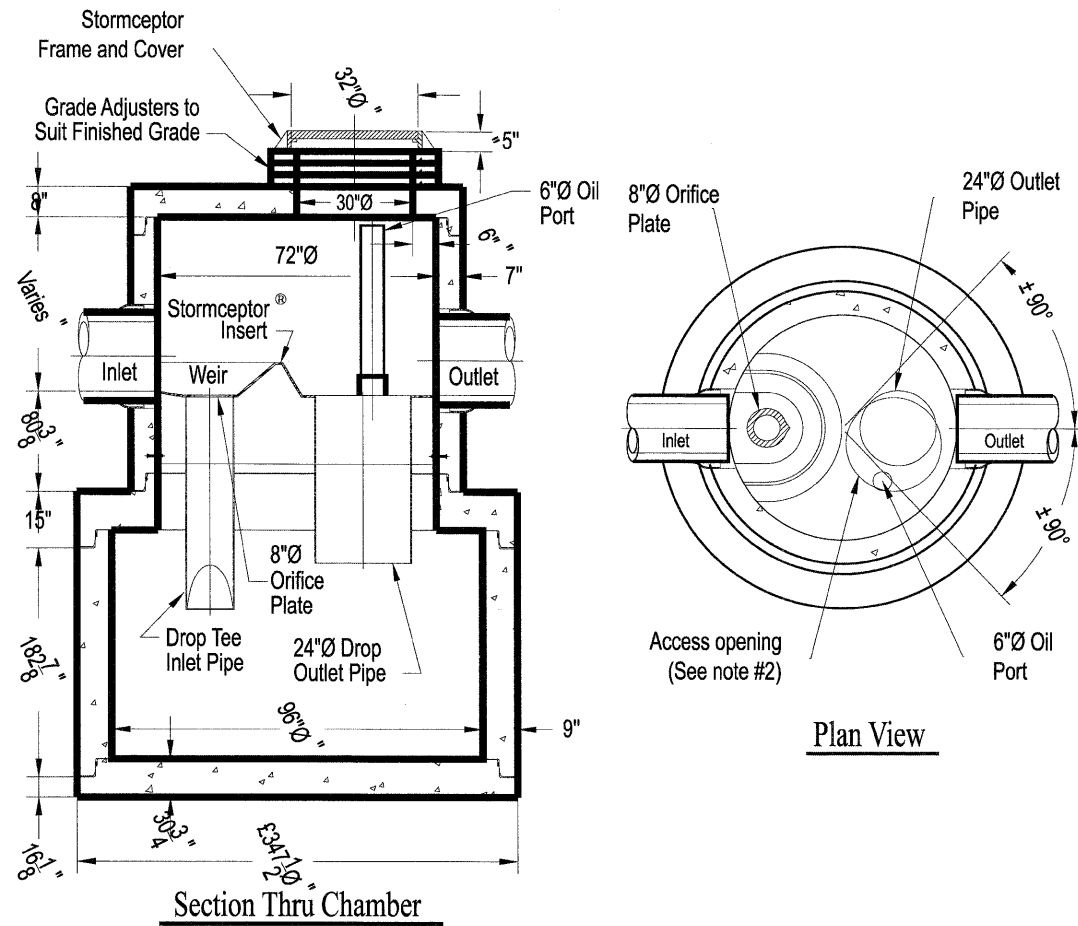


STC 2400 Precast Concrete Stormceptor®
(2400 U.S. Gallon Capacity)



Heaviest Single Piece Wt. Appx: 15,500#

Notes:

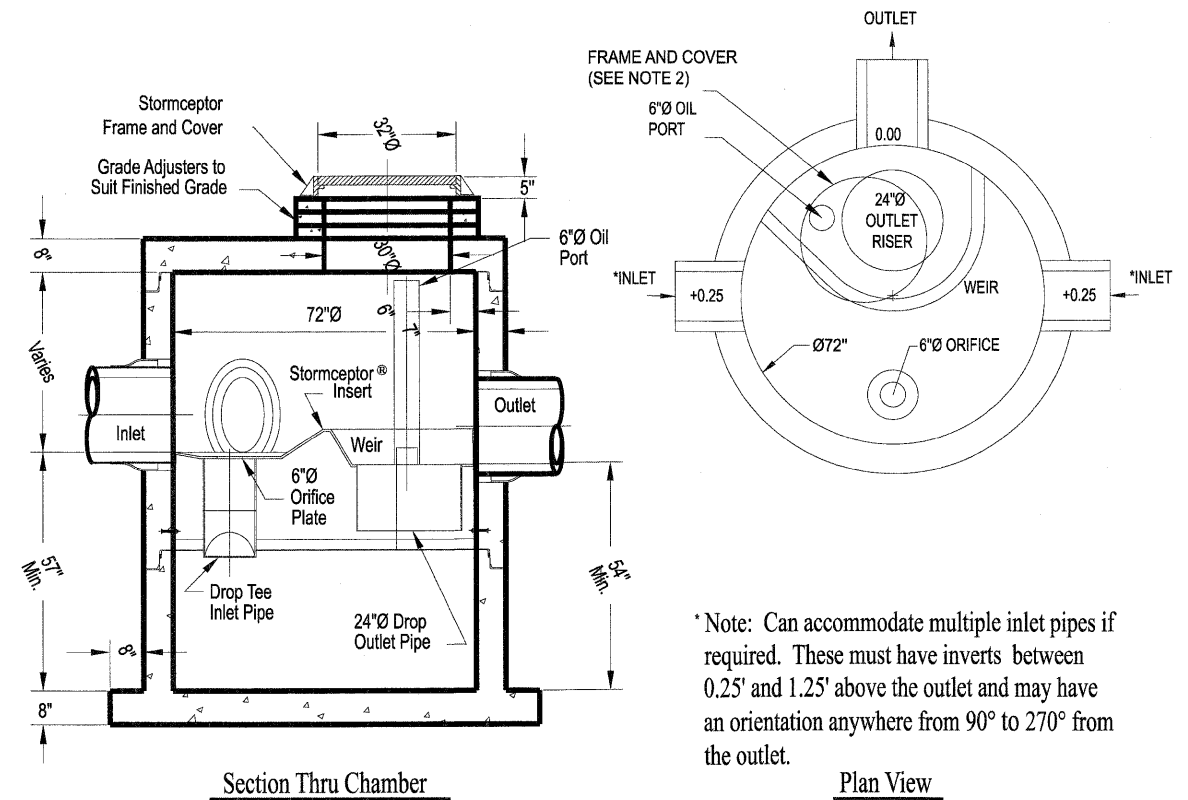
1. The Use Of Flexible Connection is Recommended at The Inlet and Outlet Where Applicable.
2. The Cover Should be Positioned Over The Outlet Drop Pipe and The Oil Port.
3. The Stormceptor System is protected by one or more of the following U.S. Patents: #4985148, #5498331, #5725760, #5753115, #5849181, #6068765, #6371690.
4. Contact a Concrete Pipe Division representative for further details not listed on this drawing.

Rinker 031 IL-WI

WATER QUALITY TREATMENT STRUCTURE #1

STC 900 Precast Concrete Stormceptor®
(900 U.S. Gallon Capacity)

Multi Inlet Application



* Note: Can accommodate multiple inlet pipes if required. These must have inverts between 0.25' and 1.25' above the outlet and may have an orientation anywhere from 90° to 270° from the outlet.

Notes:

1. The Use Of Flexible Connection is Recommended at The Inlet and Outlet Where Applicable.
2. The Cover Should be Positioned Over The Outlet Drop Pipe and The Oil Port.
3. The Stormceptor System is protected by one or more of the following U.S. Patents: #4985148, #5498331, #5725760, #5753115, #5849181, #6068765, #6371690.
4. Contact a Concrete Pipe Division representative for further details not listed on this drawing.

Rinker 049 IL-WI

WATER QUALITY TREATMENT STRUCTURE #2

	USER NAME = jmaack@chicago.il	DESIGNED - D.DOERFLER	REVISED -		MCHENRY COUNTY DIVISION OF TRANSPORTATION	RAKOW ROAD FROM ACKMAN ROAD TO ILLINOIS ROUTE 31 DRAINAGE DETAILS		F.A.P. RTE. 0336	SECTION 05-00308-00-WR	COUNTY MCHENRY	TOTAL SHEETS 606	SHEET NO. 218
	PLOT CONFID = PDF(Grey, Large).plt	DRAWN - D.DOERFLER	REVISED -			SCALE: 1"=50'	SHEET NO. DU 35 OF 47	STA. TO STA.	FED. ROAD DIST. NO. ILLINOIS FED. AID PROJECT	CONTRACT NO. 63398		
	PLOT SCALE = 1:50	CHECKED - E.CHOW	REVISED -									
	PLOT DATE = 7/29/2010	DATE - 8/2/2010	REVISED -									

p:\chicago\modot\2010\Drawings\rdwy\shfts\dr\03-Dra_Details_B.dgn