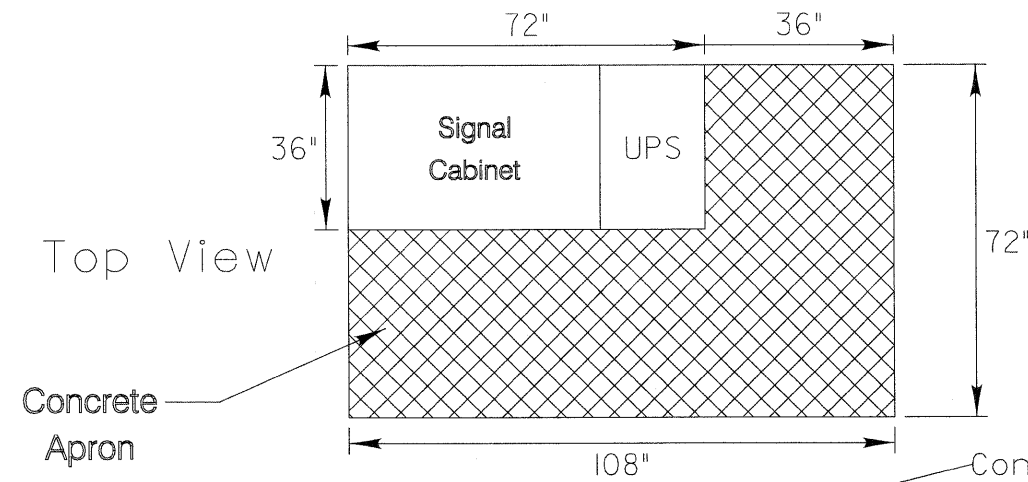


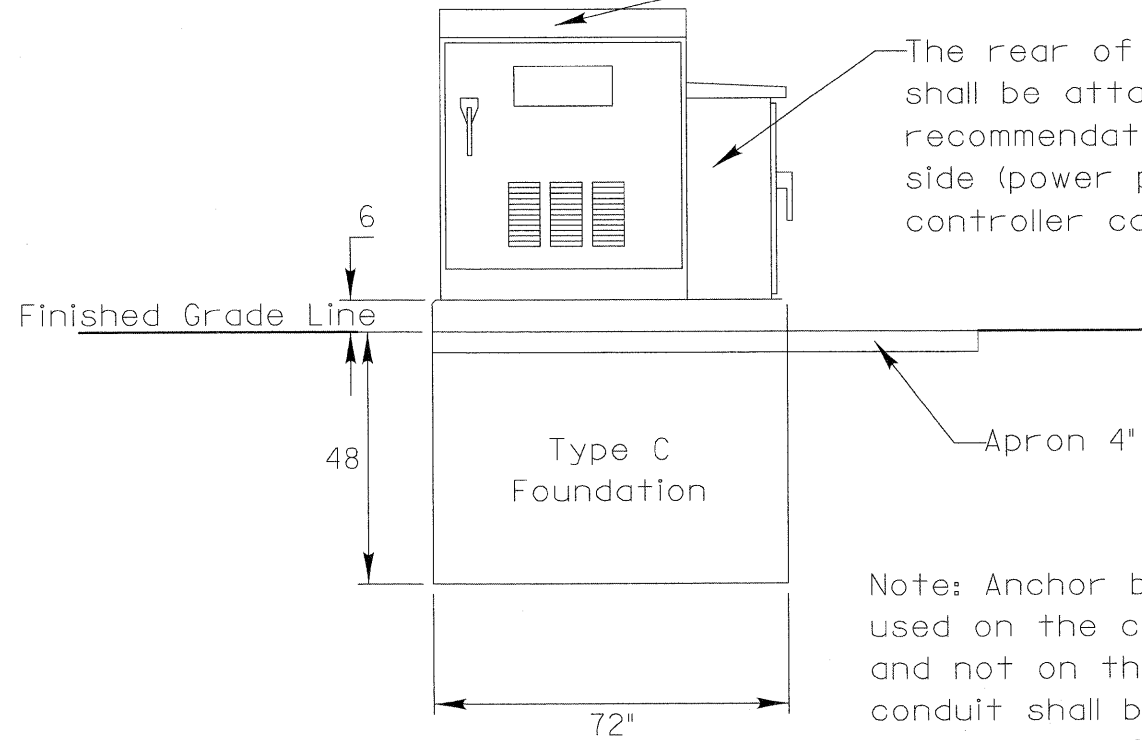
UNITERRUPTED POWER SUPPLY CABINET INSTALLATION



Signal cabinet and UPS shall be centered on the 72" x 36" type C foundation.

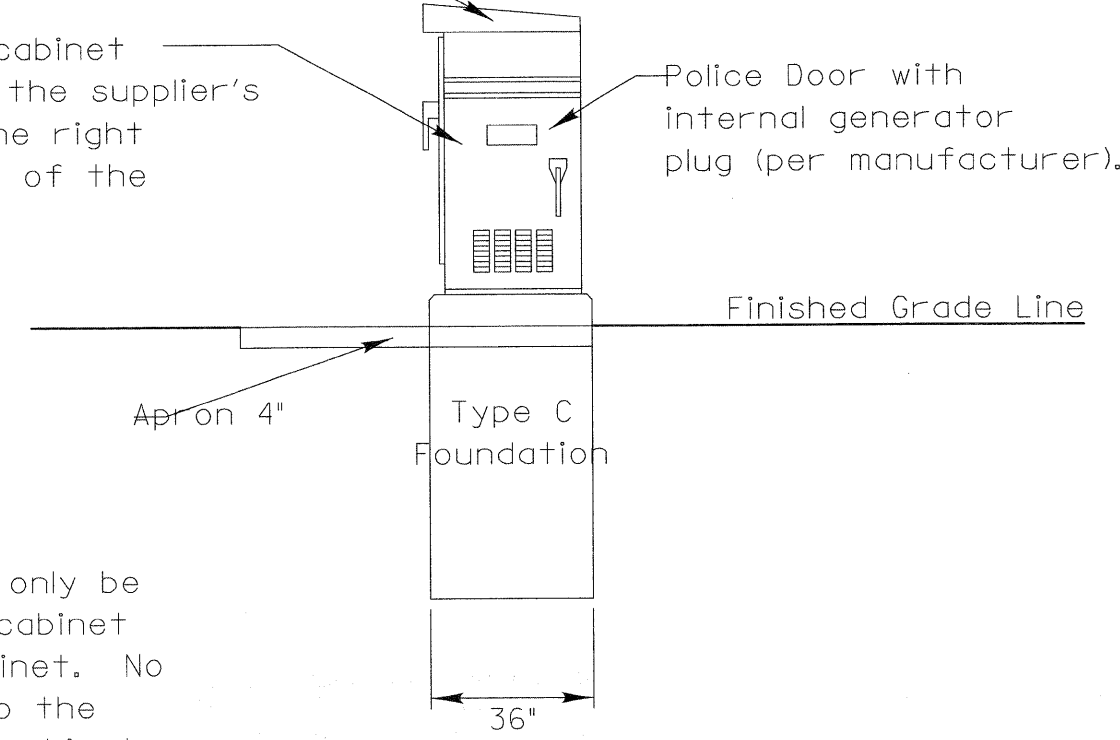
Note: 4-4 inch conduits and 2-2 inch conduits required for type C foundation.

1-2 inch conduit for power.
1-2 inch conduit for spare.



Type IV or V Controller Cabinet Front View

Note: Anchor bolts shall only be used on the controller cabinet and not on the UPS cabinet. No conduit shall be run into the the bottom of the UPS cabinet.



Type IV or V Controller Cabinet Right Side View

Note: The full depth (54") foundation is required under both the CONTROLLER and UPS cabinet.

REVISIONS	DATE	MCHENRY COUNTY DIVISION OF TRANSPORTATION	
Revised dimmensions for C Foundation - BJC	03/17/10	DATE: MARCH 17, 2010	
Type C (SPECIAL) Foundation for Traffic Signal Controller Cabinet and U.P.S. Cabinet			

PATRICK ENGINEERING INC.
LISLE, ILLINOIS

GHA GEWALT HAMILTON ASSOCIATES, INC.
850 Forest Edge Drive • Vernon Hills, IL 60061
Consulting Engineers & Surveyors
847-478-9700
FAX: 847-478-9701

FILE NAME = 4153.800-tr1.dwg	USER NAME = GHA	DESIGNED - DPB	REVISED -
PLOT SCALE = N.T.S.		DRAWN - ZCW	REVISED -
PLOT DATE = 8/2/10		CHECKED - DPB	REVISED -
		DATE - 8/2/10	REVISED -

MCHENRY COUNTY DIVISION OF TRANSPORTATION

DETAIL SHEET
UNITERRUPTIBLE POWER SUPPLY, CABINET, & TYPE C FOUNDATION

SCALE: N.A. SGNL SHEET # 65 OF 65 SHEETS STA. TO STA.

F.A.P. RTE. 0336	SECTION 05-00308-WR	COUNTY MCHENRY	TOTAL SHEETS 606	SHEET NO. 374
CONTRACT # 63398				
ILLINOIS FED. AID PROJECT				