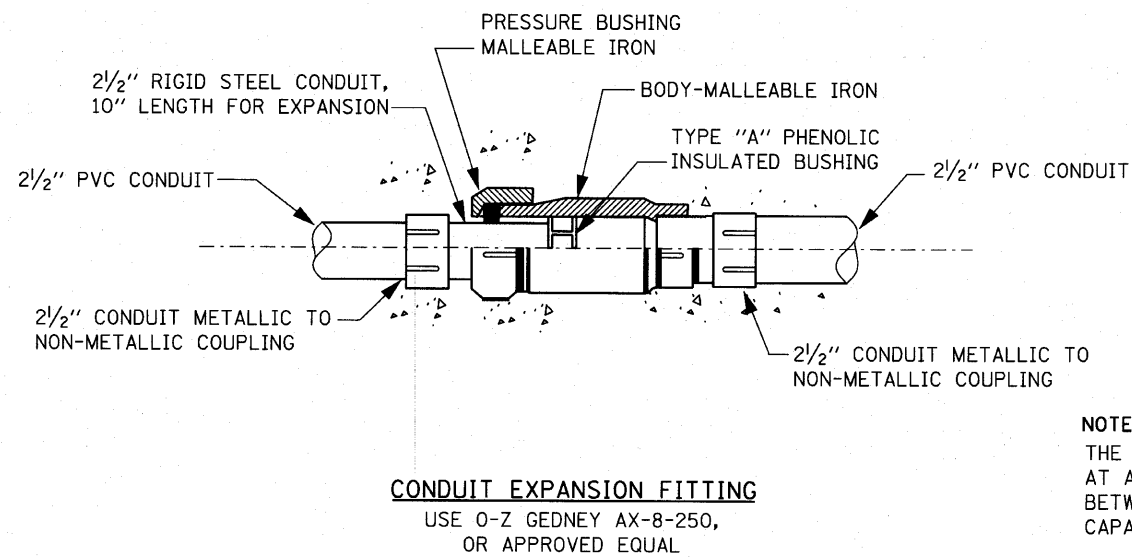


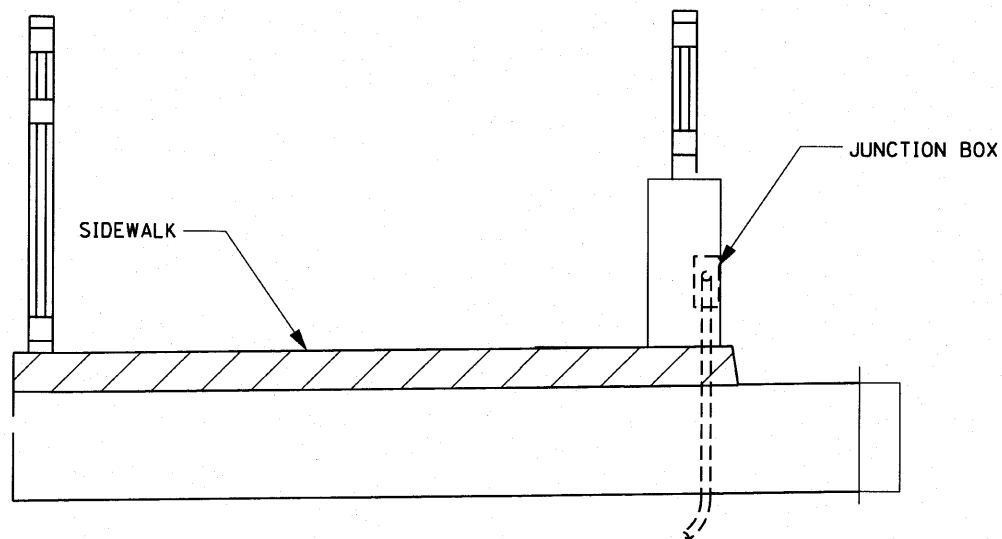
JUNCTION BOX EMBEDDED IN STRUCTURE



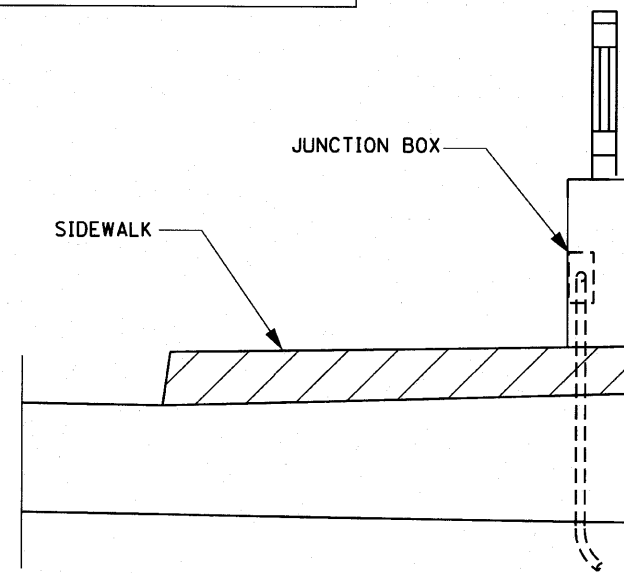
CONDUIT EXPANSION FITTING  
USE O-Z GEDNEY AX-8-250,  
OR APPROVED EQUAL

NOTE:  
THE EXPANSION FITTINGS ARE REQUIRED  
AT ALL LOCATIONS WHERE CONDUIT EXTENDS  
BETWEEN TWO CONCRETE SECTIONS THAT ARE  
CAPABLE OF HAVING RELATIVE MOVEMENTS.

NOTE:  
ALL FITTINGS, AND COUPLINGS SHALL BE INCLUDED  
IN THE COST OF CONDUIT EMBEDDED IN STRUCTURE.



SECTION THRU PEDESTRIAN SCREEN  
(Looking East)



SECTION THRU PARAPET  
SECTION X-X  
(Looking East)

A. JUNCTION BOX SHALL BE FURNISHED AND INSTALLED BY ELECTRICAL CONTRACTOR. COORDINATION IS REQUIRED WITH THE BRIDGE CONTRACTOR.

B. CONDUIT EMBEDDED IN STRUCTURE SHALL BE FURNISHED AND INSTALLED BY THE BRIDGE CONTRACTOR. COORDINATION WITH THE ELECTRICAL CONTRACTOR IS REQUIRED. COORDINATE CONDUIT PLACEMENT TO TERMINATE OUTSIDE OF PAVEMENT.

C. COST OF RIGID GALVANIZED STEEL RACEWAY SHALL BE INCLUDED WITH JUNCTION BOX NON METALLIC EMBEDDED IN STRUCTURE.

E-3

AMES Engineering, Inc.  
Consulting Engineers  
1341 Warren Avenue  
Downers Grove, IL 60515

FILE NAME =	USER NAME = pociecha	DESIGNED - LP	REVISED - PER IDOT 07/29/10	<b>STATE OF ILLINOIS DEPARTMENT OF TRANSPORTATION</b>	<b>SHORT STREET OVER EAST BRANCH DUPAGE RIVER DETAILS</b>	F.A. RTE.	SECTION	COUNTY	TOTAL SHEETS	SHEET NO.
W:\871-002 Short Phase I\VCADD_Sheets\Electrical\871-002-shr-light-SECTIONS.dgn	DRAWN - LP	REVISD -	REVISD -			03-00050-00-BR	DUPAGE	45	21	
PLOT SCALE = 20.0000' / IN.	CHECKED - JP	REVISD -	REVISD -			CONTRACT NO. 63468		ILLINOIS FED. AID PROJECT BFM-8003 (676)		
PLOT DATE = 8/2/2010	DATE - 08/02/2010	REVISD -	REVISD -			SCALE: 1"=20'	SHEET NO. 21 OF 45 SHEETS	STA. 6+24.80 TO STA. 8+33.80		