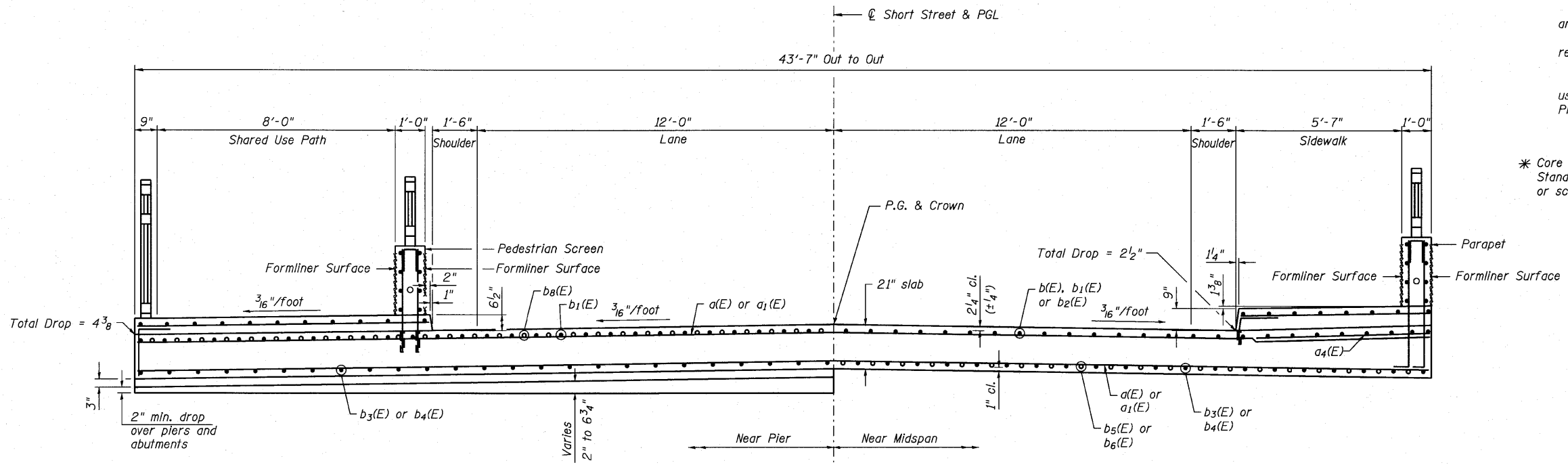
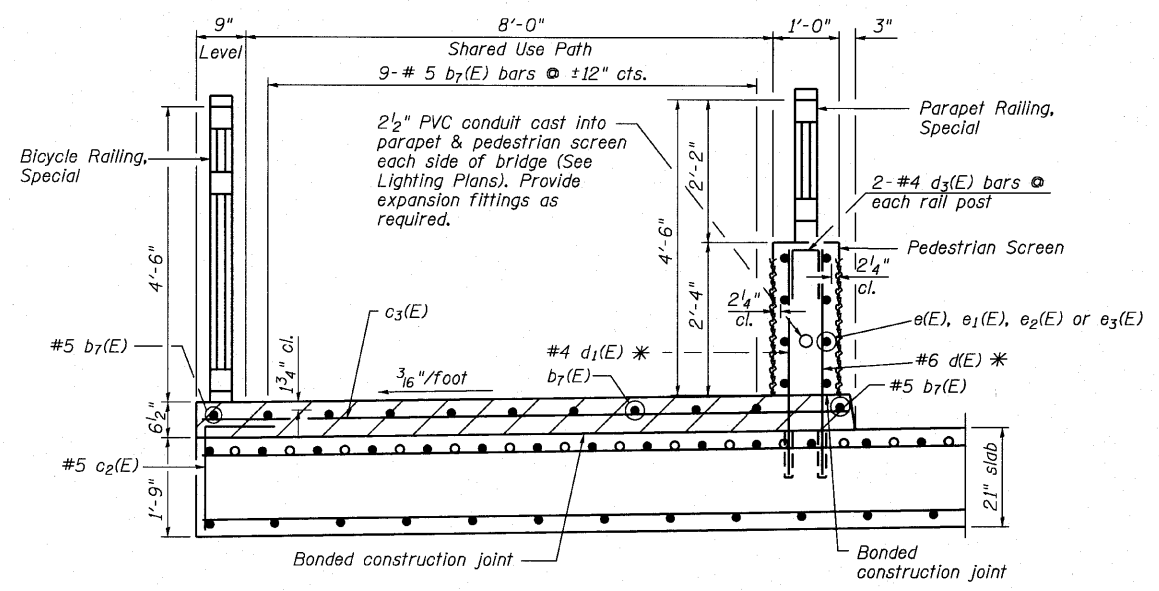


Notes:  
 See Sheet 8 of 18 for superstructure details and Bill of Material.  
 See Sheet 6 of 18 for Pedestrian Screen reinforcement.  
 See Sheet 7 of 18 for Parapet reinforcement.  
 Sidewalk and Shared Use Path shall be constructed using integrally colored concrete. See Special Provisions.  
 See Sheet 8 of 18 for limits of Formliner Surface.

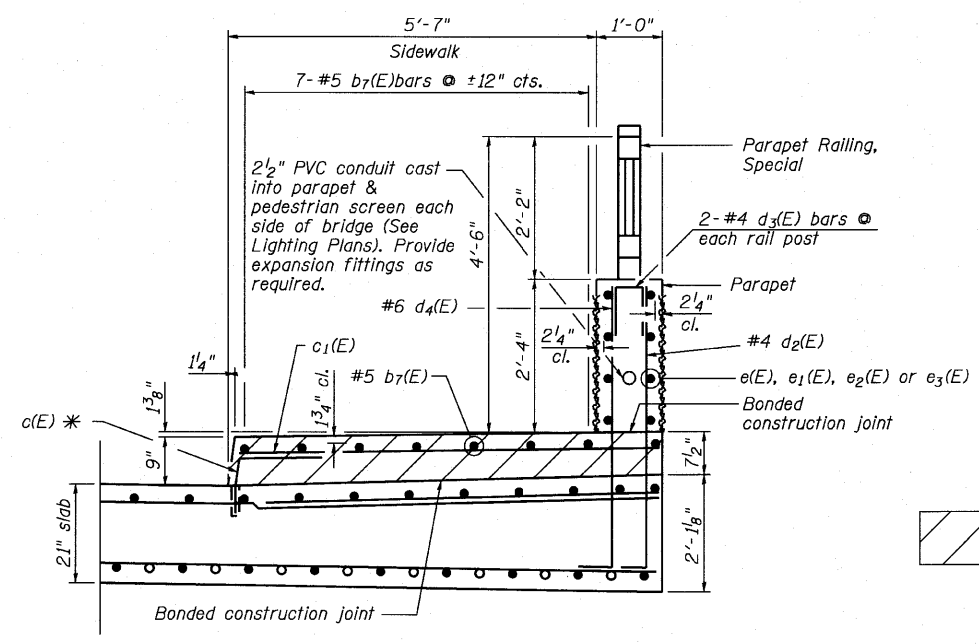
\* Core and set bars according to Article 509.06 of the Standard Specifications. Cored holes shall be roughened or scored per manufacturer's recommendations.



**CROSS SECTION**  
(Looking East)



**SECTION THRU PEDESTRIAN SCREEN**  
(Looking East)



**SECTION THRU PARAPET**  
(Looking East)

- Integrally Colored Concrete, Paid for as Concrete Superstructure, Special

DESIGNED -	SRT
CHECKED -	JJI
DRAWN -	GM
CHECKED -	JJI

**SUPERSTRUCTURE CROSS SECTIONS**  
**STRUCTURE NUMBER 022-6649**

SHEET NO. 5	F.A. RTE.	SECTION	COUNTY	TOTAL SHEETS	SHEET NO.
	-	03-00050-00-BR	DuPAGE	45	26
18 SHEETS	CONTRACT NO. 63468				
FED. ROAD DIST. NO. -		ILLINOIS	FED. AID PROJECT	BPM-8003 (676)	

