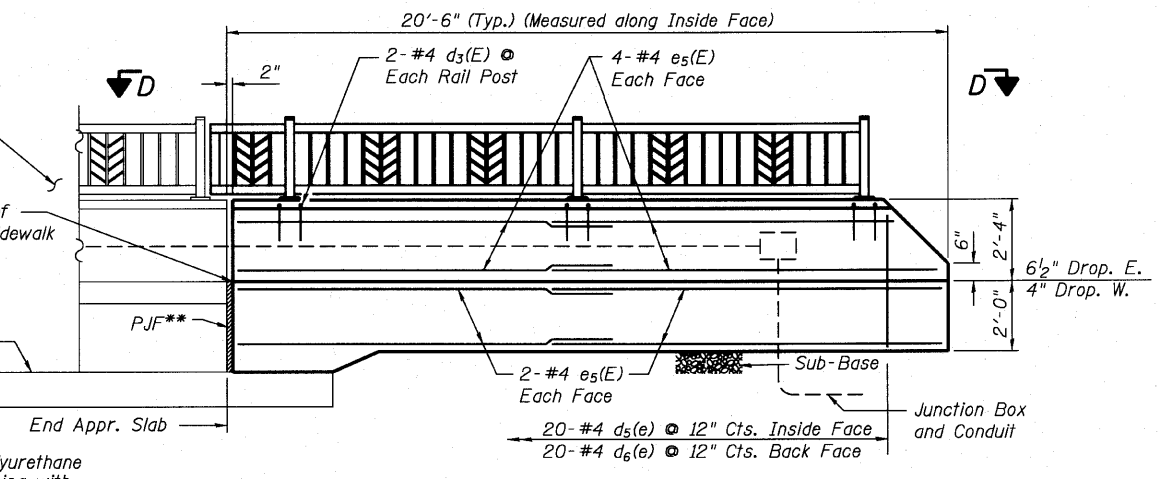
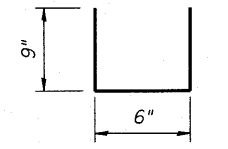


**INSIDE ELEVATION WEST OFF-BRIDGE PEDESTRIAN SCREEN**  
(Looking North, East Similar)

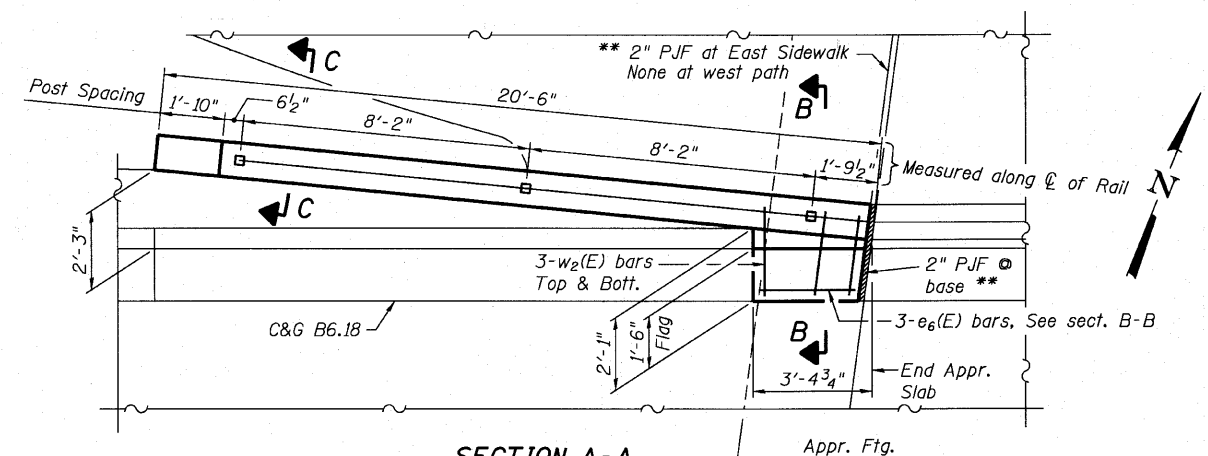


**INSIDE ELEVATION WEST OFF-BRIDGE PARAPET**  
(Looking South, East Similar)

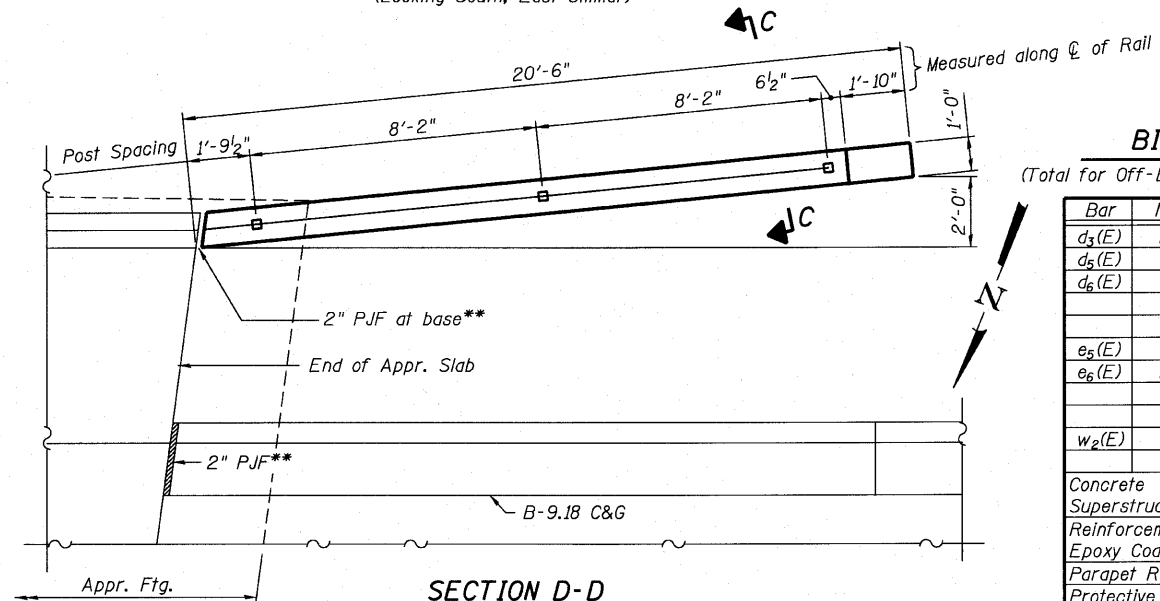
\*\* 2" of Preformed Joint Filler, Polyurethane Bonded Recycled Rubber conforming with the requirements of AASHTO M 153, Type IV. Attach all layers of PJF with adhesive, fasteners not allowed. Cost included in Concrete Superstructure.



**BAR d3(E)**



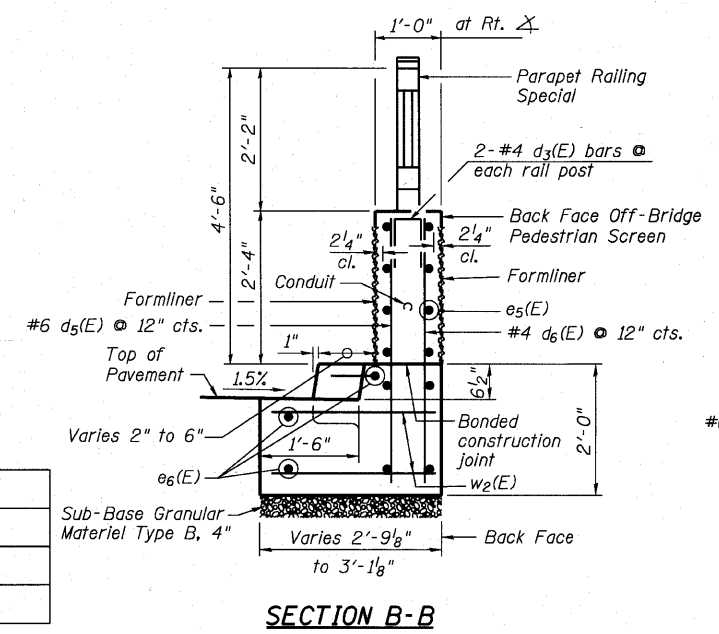
**SECTION A-A**  
**PLAN OFF-BRIDGE PEDESTRIAN SCREEN**  
(West, East Similar)



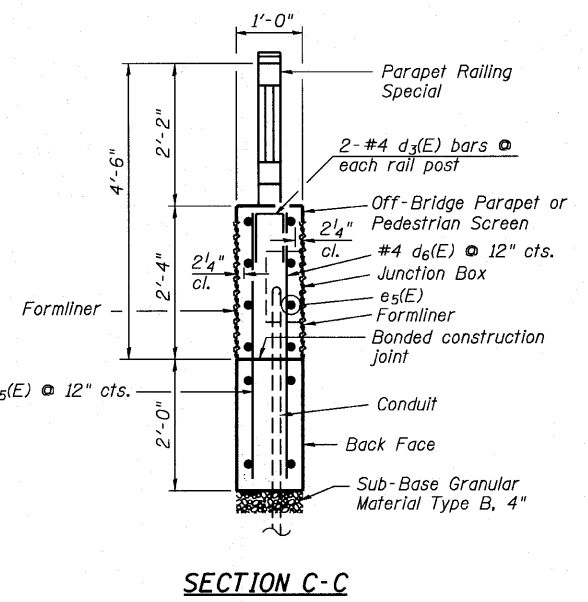
**SECTION D-D**  
**PLAN OFF-BRIDGE PARAPET**  
(West, East similar)

**BILL OF MATERIAL**  
(Total for Off-Bridge Parapet & Pedestrian Screens)

Bar	No.	Size	Length	Shape
d3(E)	24	#4	2'-0"	U
d5(E)	80	#6	4'-0"	—
d6(E)	80	#4	4'-0"	—
e5(E)	48	#4	11'-2"	—
e6(E)	24	#4	2'-9"	—
w2(E)	12	#4	2'-6"	—
Concrete Superstructure			Cu. Yd.	12.1
Reinforcement Bars, Epoxy Coated			Pound	1150
Parapet Railing, Special			Foot	75
Protective Coat			Sq. Yd.	33
Form Liner Textured Surface, Special			Sq. Ft.	342



**SECTION B-B**



**SECTION C-C**

- NOTES:**
1. For Parapet Railing details not shown see sht. 13 of 18.
  2. Sub-Base Material, excavation and backfill required for off-bridge parapet and pedestrian screen construction is included Concrete Superstructure.
  3. See Superstructure Details for formliner details, sht. 8 of 18.
  4. Min. lap #4 bars 1'-10".

DESIGNED -	JJI
CHECKED -	SRT
DRAWN -	GM
CHECKED -	SRT

**OFF-BRIDGE PARAPET & PEDESTRIAN SCREEN**  
**STRUCTURE NUMBER 022-6649**



SHEET NO. 11	F.A. RTE.	SECTION	COUNTY	TOTAL SHEETS	SHEET NO.
	18 SHEETS	03-00050-00-BR	DuPAGE	45	32
		CONTRACT NO. 63468			
FED. ROAD DIST. NO. -		ILLINOIS FED. AID PROJECT		BRM-8003 (676)	