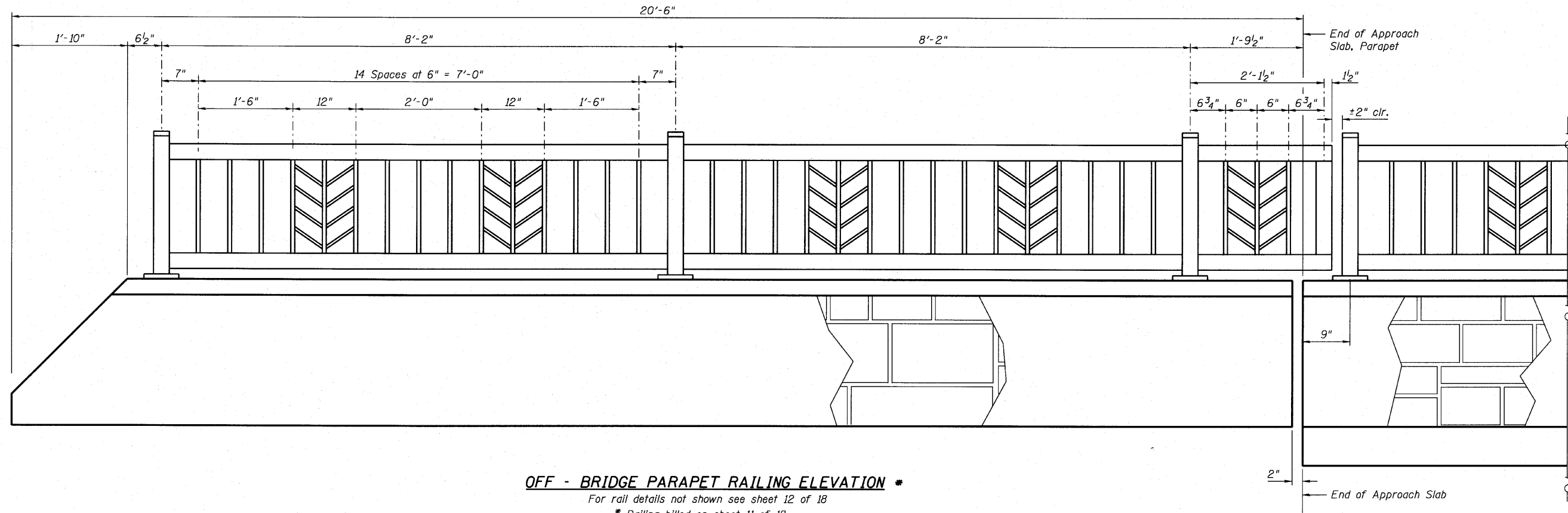
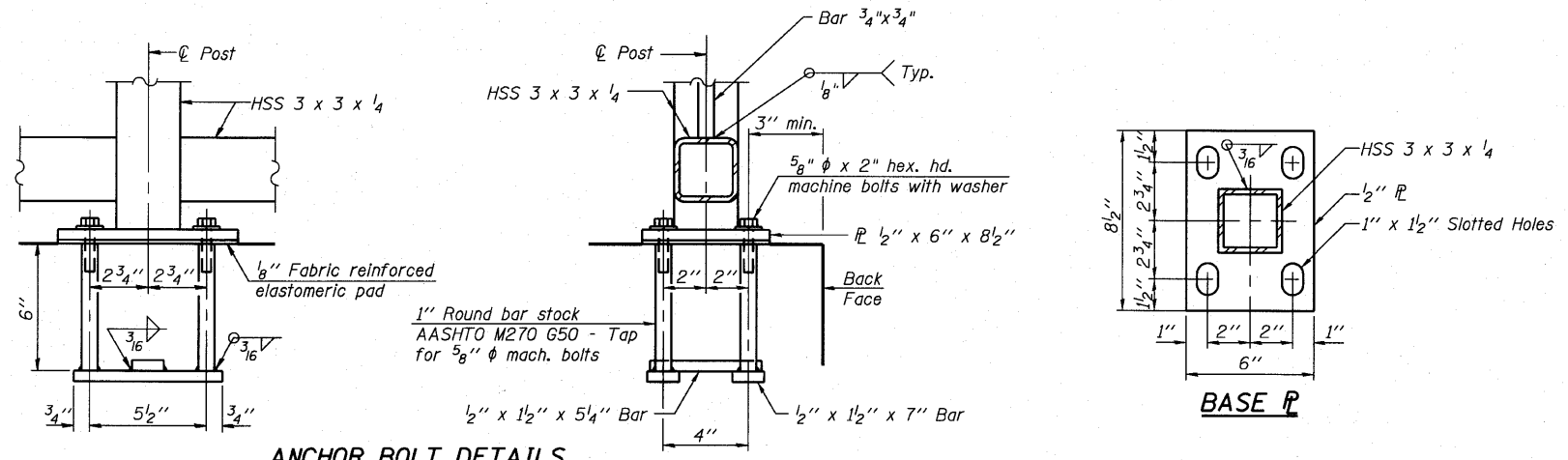


STATE OF ILLINOIS
DEPARTMENT OF TRANSPORTATION



OFF - BRIDGE PARAPET RAILING ELEVATION *
For rail details not shown see sheet 12 of 18
* Railing billed on sheet 11 of 18



ANCHOR BOLT DETAILS

In lieu of the cast-in-place anchor device shown, the Contractor has the option of drilling and setting 5/8" φ anchor rods according to Article 509.06 of the Standard Specifications. Embedment shall be according to the manufacturer's specifications.

DESIGNED -	JJI
CHECKED -	SRT
DRAWN -	GM
CHECKED -	SRT

**RAILING DETAILS
STRUCTURE NUMBER 022-6649**



SHEET NO. 13 18 SHEETS	F.A. RTE.	SECTION	COUNTY	TOTAL SHEETS	SHEET NO.
	-	03-00050-00-BR	DuPAGE	45	34
CONTRACT NO. 63468			FED. ROAD DIST. NO. - ILLINOIS FED. AID PROJECT BFM-8003 (676)		