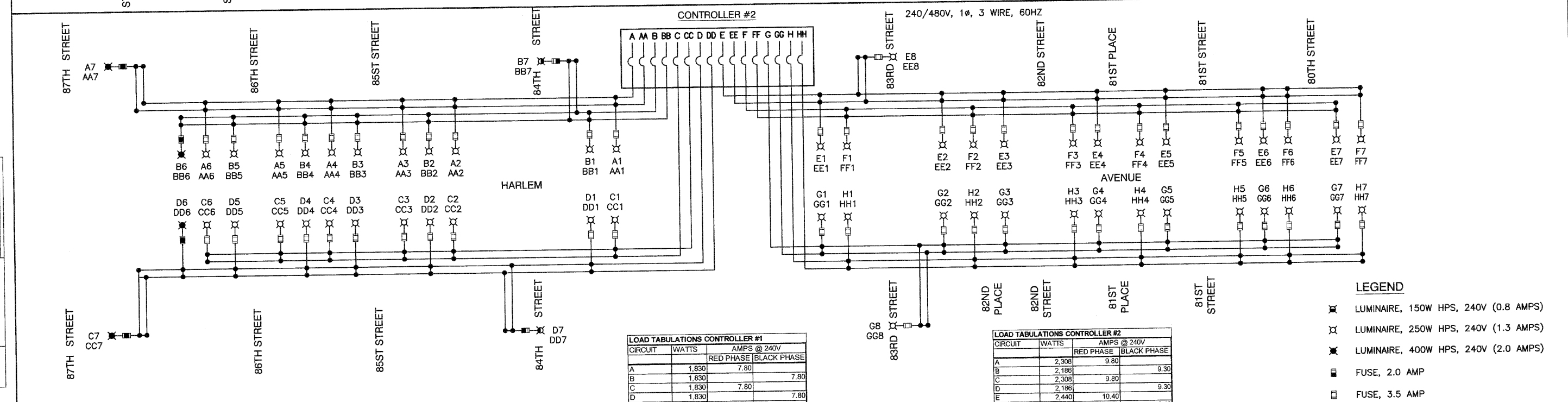
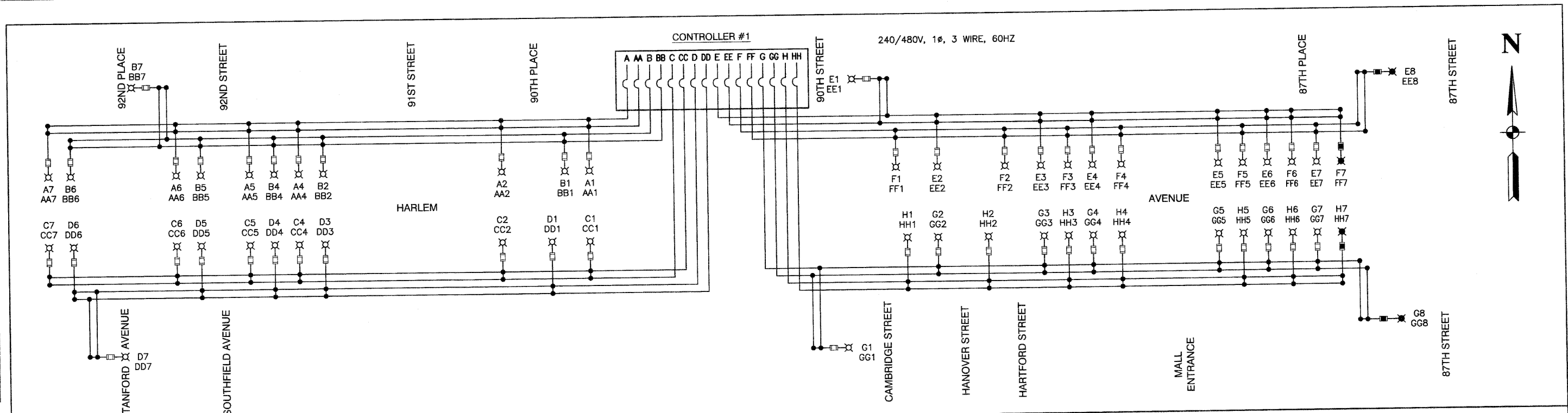


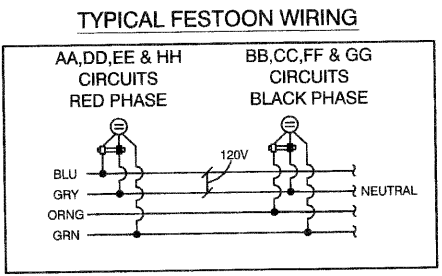
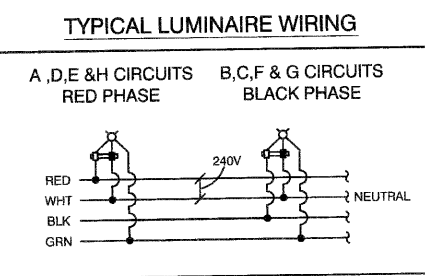
DATE	
BY	
REVISIONS	
NO.	
DESCRIPTION	
DATE	
BY	
REVISIONS	
NO.	
DESCRIPTION	
DATE	
BY	
REVISIONS	
NO.	
DESCRIPTION	
DATE	
BY	
REVISIONS	
NO.	
DESCRIPTION	

DATE	
BY	
REVISIONS	
NO.	
DESCRIPTION	
DATE	
BY	
REVISIONS	
NO.	
DESCRIPTION	
DATE	
BY	
REVISIONS	
NO.	
DESCRIPTION	



CIRCUIT	WATTS	AMPS @ 240V	
		RED PHASE	BLACK PHASE
A	1,830		7.80
B	1,830		7.80
C	1,830		7.80
D	1,830		7.80
E	2,613	11.10	
F	2,308		9.80
G	2,613	11.10	
H	2,308		9.80
LUMINAIRE SUBTOTAL	17,162	37.80	35.20
AA	1,800		7.50
BB	1,800		7.50
CC	1,800		7.50
DD	1,800		7.50
EE	2,400	10.00	
FF	2,100		8.75
GG	2,400	10.00	
HH	2,100		8.75
GFCI SUBTOTAL	16,200	35.00	32.60
CAB TOTAL	33,362	72.80	67.70
TOTAL AMPS @ 240 V		140.60	

CIRCUIT	WATTS	AMPS @ 240V	
		RED PHASE	BLACK PHASE
A	2,308	9.80	
B	2,198		9.30
C	2,308	9.80	
D	2,198		9.30
E	2,440	10.40	
F	2,135		9.10
G	2,440	10.40	
H	2,135		9.10
LUMINAIRE SUBTOTAL	18,138	40.40	36.80
AA	2,100		8.75
BB	2,100		8.75
CC	2,100		8.75
DD	2,100		8.75
EE	2,400	10.00	
FF	2,100		8.75
GG	2,400	10.00	
HH	2,100		8.75
GFCI SUBTOTAL	17,400	37.50	35.00
CAB TOTAL	35,538	77.90	71.80
TOTAL AMPS @ 240 V		149.70	



- LEGEND**
- ⊗ LUMINAIRE, 150W HPS, 240V (0.8 AMPS)
 - ⊗ LUMINAIRE, 250W HPS, 240V (1.3 AMPS)
 - ⊗ LUMINAIRE, 400W HPS, 240V (2.0 AMPS)
 - FUSE, 2.0 AMP
 - FUSE, 3.5 AMP
 - FUSE, 4.0 AMP
 - A1 LUMINAIRE CIRCUIT, 240V
 - AA1 GFCI CIRCUIT, 120V (2.5 AMPS EACH)
 - ⌋ CIRCUIT BREAKER
 - CONNECTION

