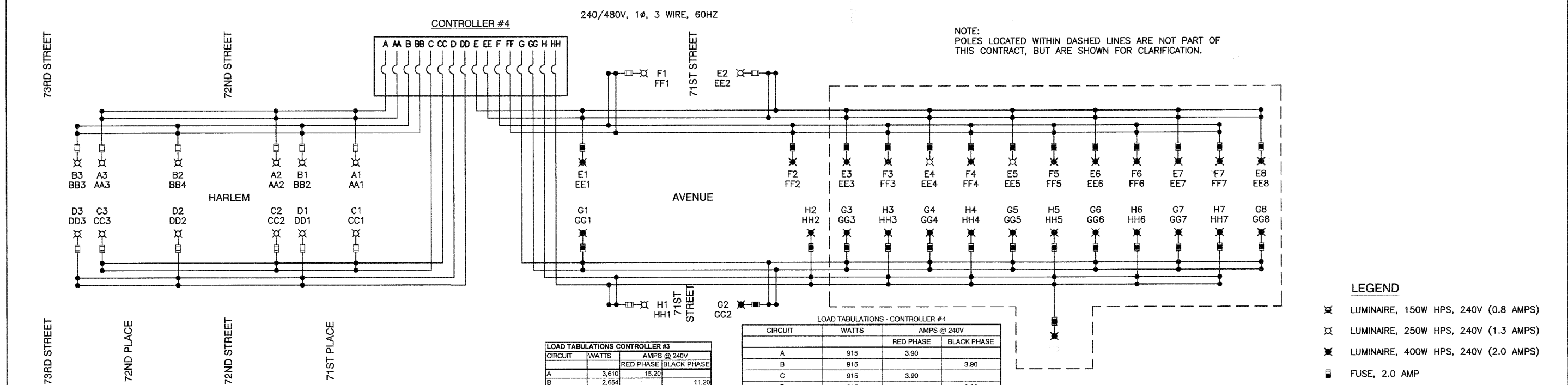
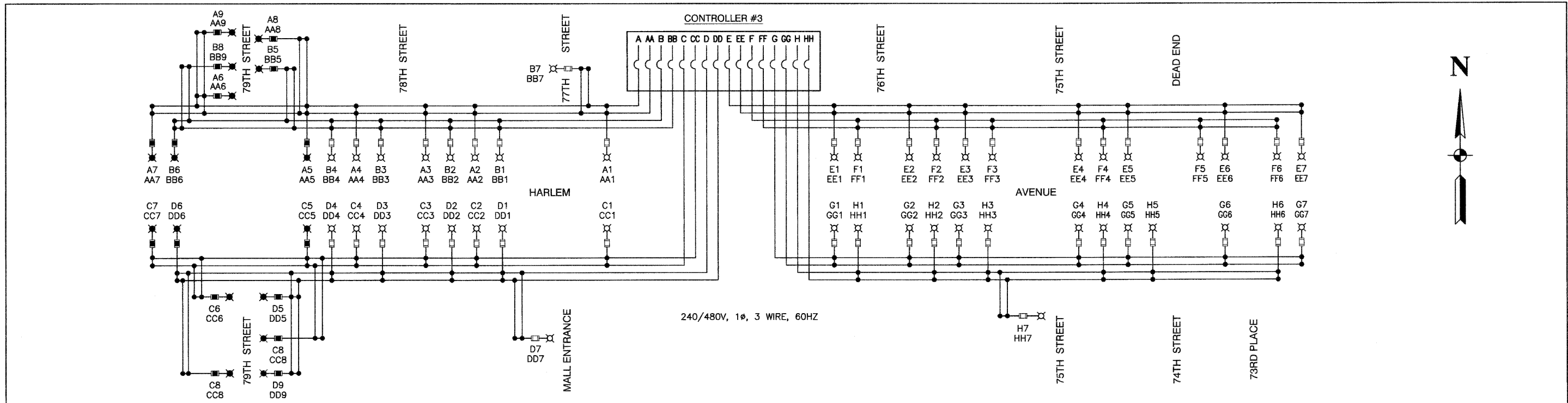


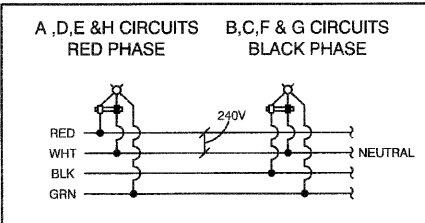
DATE	BY
REVISION	BY
PLANNED	BY
ALIGNED	BY
CHECKED	BY
NO.	FILE NAME

DATE	BY
REVISION	BY
PLANNED	BY
ALIGNED	BY
CHECKED	BY
NO.	FILE NAME

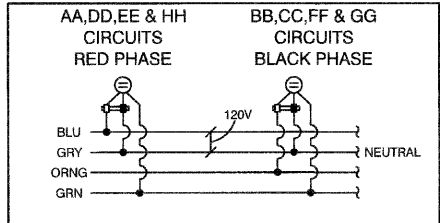


NOTE: POLES LOCATED WITHIN DASHED LINES ARE NOT PART OF THIS CONTRACT, BUT ARE SHOWN FOR CLARIFICATION.

TYPICAL LUMINAIRE WIRING



TYPICAL FESTOON WIRING



CIRCUIT	WATTS	AMPS @ 240V	
		RED PHASE	BLACK PHASE
A	3,610	15.20	11.20
B	2,654		
C	3,132	13.20	12.50
D	2,959		
E	2,135	9.10	7.80
F	1,830		
G	2,135	9.10	
H	2,135		9.10
LUMINAIRE SUBTOTAL	20,590	46.60	40.60
AA	2,700	11.25	
BB	2,100		8.75
CC	2,400	10.00	
DD	2,400		10.00
EE	2,100	8.75	
FF	1,800		7.50
GG	2,100	8.75	
HH	2,100		8.75
GFCI			
SUBTOTAL	17,700	38.76	35.00
CAB TOTAL	38,290	85.35	75.60
TOTAL AMPS @ 240 V		160.95	

CIRCUIT	WATTS	AMPS @ 240V	
		RED PHASE	BLACK PHASE
A	915	3.90	
B	915		3.90
C	915	3.90	
D	915		3.90
E	3,651	15.30	
F	3,173		15.30
G	3,824	16.00	
H	3,173		17.30
LUMINAIRE SUBTOTAL	18,915	39.10	40.40
AA	900	3.75	
BB	900		3.75
CC	900	3.75	
DD	900		3.75
EE	2,400	10.00	
FF	2,400		10.00
GG	2,400	10.00	
HH	2,400		10.00
GFCI SUBTOTAL	13,200	27.50	27.50
CAB TOTAL	32,115	66.60	67.90
TOTAL AMPS @ 240V		134.50	

- LEGEND**
- ⊗ LUMINAIRE, 150W HPS, 240V (0.8 AMPS)
 - ⊗ LUMINAIRE, 250W HPS, 240V (1.3 AMPS)
 - ⊗ LUMINAIRE, 400W HPS, 240V (2.0 AMPS)
 - FUSE, 2.0 AMP
 - FUSE, 3.5 AMP
 - FUSE, 4.0 AMP
 - A1 LUMINAIRE CIRCUIT, 240V
 - AA1 GFCI CIRCUIT, 120V (2.5 AMPS EACH)
 - ⌋ CIRCUIT BREAKER
 - CONNECTION



FILE NAME = 0901-LIGHT-02 - SLWD02	USER NAME =	DESIGNED - PAP	REVISED - 07-15-10
		CHECKED - PKB	REVISED - 07-30-10
		DRAWN - MJD	REVISED - 08-20-10
		CHECKED - DWS	REVISED -

STATE OF ILLINOIS
DEPARTMENT OF TRANSPORTATION

HARLEM AVENUE 71ST STREET TO 93RD STREET SINGLE LINE WIRING DIAGRAM		F.A.P. RTE.	SECTION	COUNTY	TOTAL SHEETS	SHEET NO.
SCALE: N/A		348	06-0054-00-LT	COOK	19	11
SHEET NO. 11 OF 19 SHEETS		STA. N/A TO STA. N/A		CONTRACT NO. 63477		

F.A.P. RTE.	SECTION	COUNTY	TOTAL SHEETS	SHEET NO.
348	06-0054-00-LT	COOK	19	11
FED. ROAD DIST. NO. 1 ILLINOIS FED. AID PROJECT ARE-TE-00D1(808)				