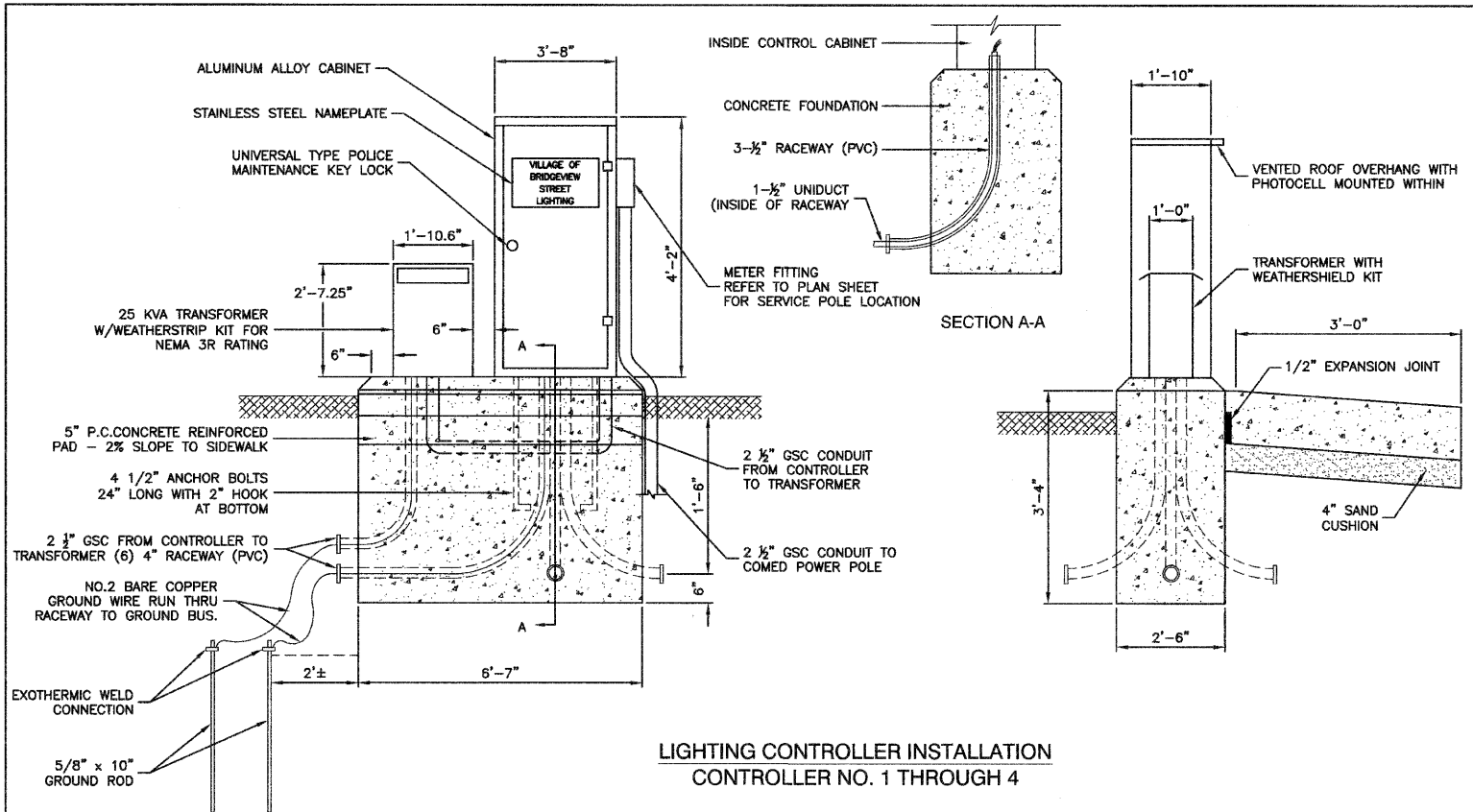
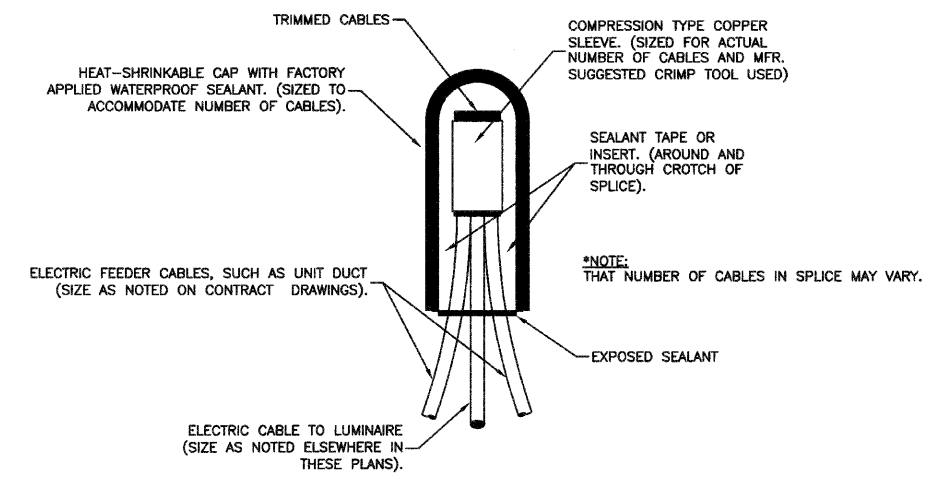


DATE	
BY	
PLAN	
NO.	
DATE	
BY	
PROFILE	
NO.	
DATE	
BY	
PLAN	
NO.	
DATE	
BY	
PROFILE	
NO.	

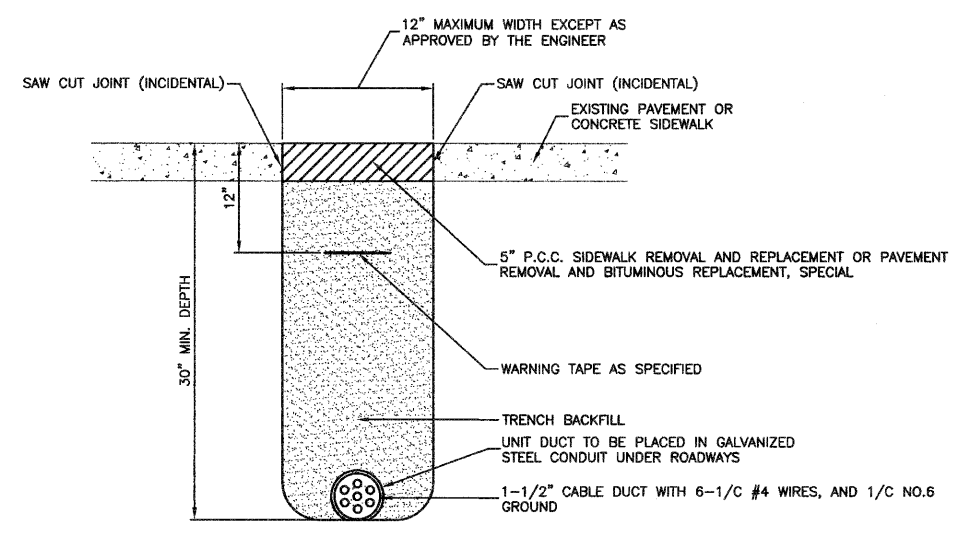
DATE	
BY	
PLAN	
NO.	
DATE	
BY	
PROFILE	
NO.	
DATE	
BY	
PLAN	
NO.	
DATE	
BY	
PROFILE	
NO.	



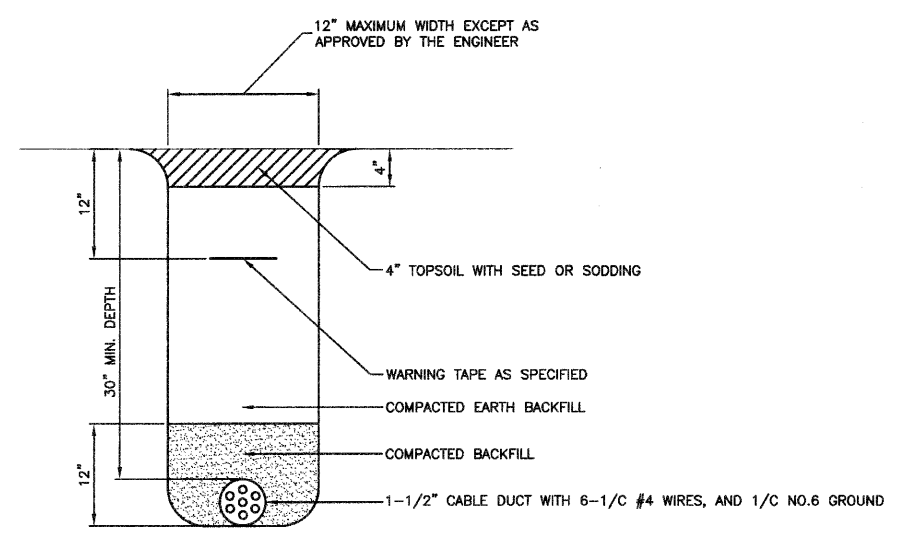
LIGHTING CONTROLLER INSTALLATION  
CONTROLLER NO. 1 THROUGH 4



SPlicing ELECTRIC Cables  
BASIC MATERIALS AND METHODS



HOT-MIX ASPHALT PAVEMENT OR CONCRETE SIDEWALK  
REMOVAL AND REPLACEMENT



TRENCH DETAIL



FILE NAME = 06901-LGHT-02 - P06	USER NAME =	DESIGNED - PAP	REVISED - 07-15-10
		CHECKED - PKB	REVISED - 07-30-10
	PLOT SCALE = N/A	DRAWN - MJD	REVISED - 08-20-10
	PLOT DATE = 04-28-10	CHECKED - DWS	REVISED -

STATE OF ILLINOIS  
DEPARTMENT OF TRANSPORTATION

HARLEM AVENUE 71ST STREET TO 93RD STREET STREET LIGHTING DETAILS		F.A.P. R.T.E. 348	SECTION 06-00054-00-LT	COUNTY COOK	TOTAL SHEETS 19	SHEET NO. 14
SCALE: N/A	SHEET NO. 14 OF 19 SHEETS	STA. N/A	TO STA. N/A	CONTRACT NO. 63477		
FED. ROAD DIST. NO. 1 ILLINOIS FED. AID PROJECT ARE-TE-00D1(808)						