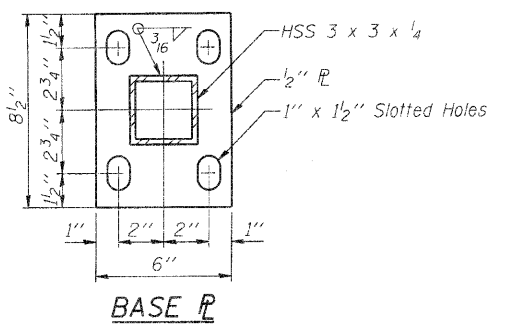
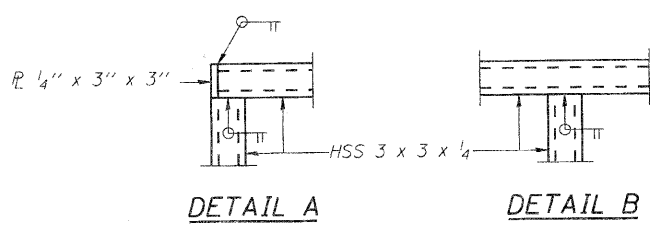
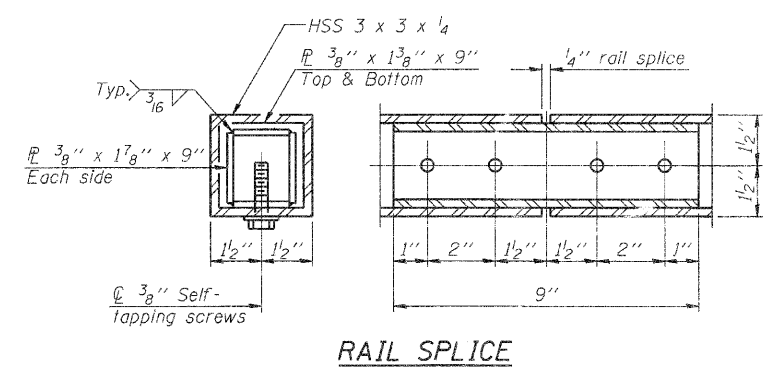


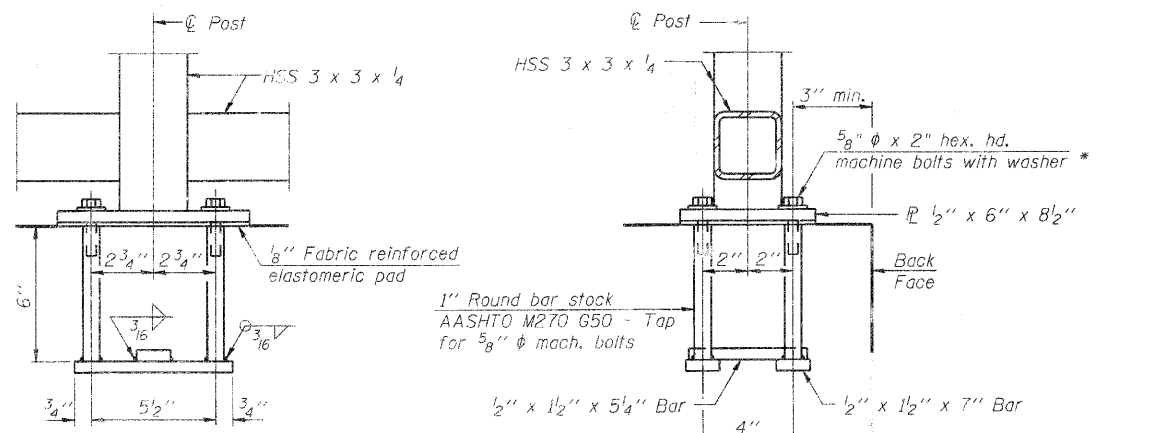
**PARAPET RAILING
ELEVATION**
(Inside Face of Two Element Rail)



Note:
All steel rail elements shall be galvanized according to Article 509.05 of the Standard Specifications.



RAIL SPLICE



ANCHOR BOLT DETAILS

In lieu of the cast-in-place anchor device shown, the Contractor has the option of drilling and setting 5/8" phi anchor rods according to Article 509.06 of the Standard Specifications. Embedment shall be according to the manufacturer's specifications.

BILL OF MATERIAL

Item	Unit	Quantity
Parapet Railing	Foot	71

PARAPET RAILING
AYER STREET (FAU ROUTE 0005)
OVER MOKELER CREEK
SECTION NO. 06-00057-00-BR
McHENRY COUNTY
STATION 203+07.55
STRUCTURE NO. 056-6203

DATE: 8/16/10

DESIGNED	MGH/JPG
CHECKED	KMA
DRAWN	WJH
CHECKED	RGD

SEC GROUP, INC.
An HR Green Company
420 N. Front Street, McHenry, IL 60050
T. 815.385.1778 F. 815.385.1781
www.secgroupinc.com
McHenry, IL • Yorkville, IL • New Lenox, IL • Chicago, IL

SHEET NO. S-4	F.A.U. RTE.	SECTION	COUNTY	TOTAL SHEETS	SHEET NO.
	0005	06-00057-00-BR	McHENRY	22	15
S-5 SHEETS		CONTRACT NO. 63508			
FED. ROAD DIST. NO. 1		ILLINOIS	FED. AID PROJECT		

FILE NAME: 060594-Rev.dwg 8/16/2010
 PLOT DRIVER: dxfplot
 PEN TABLE: Struct_22x34.tbl