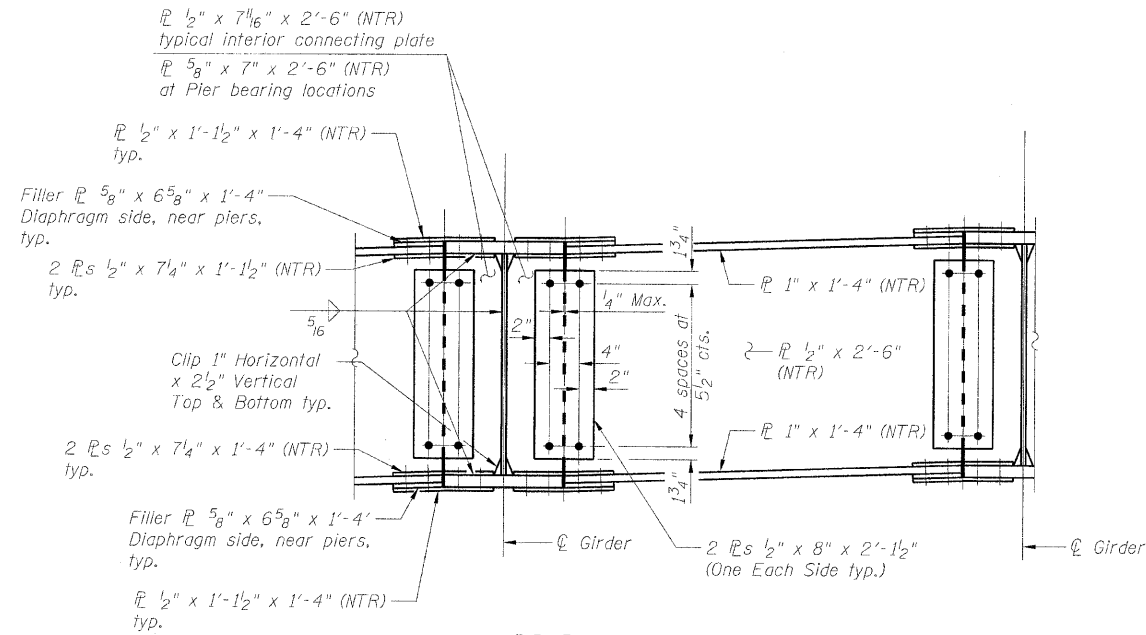
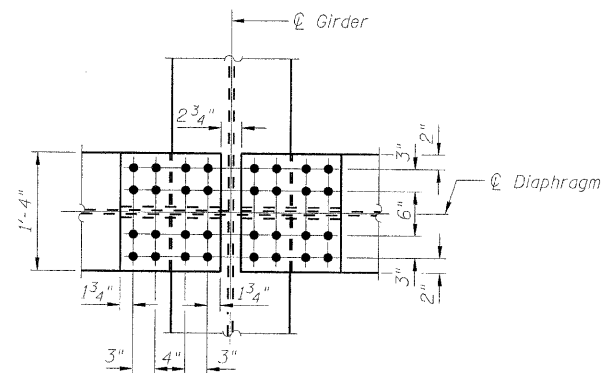


STATE OF ILLINOIS
DEPARTMENT OF TRANSPORTATION

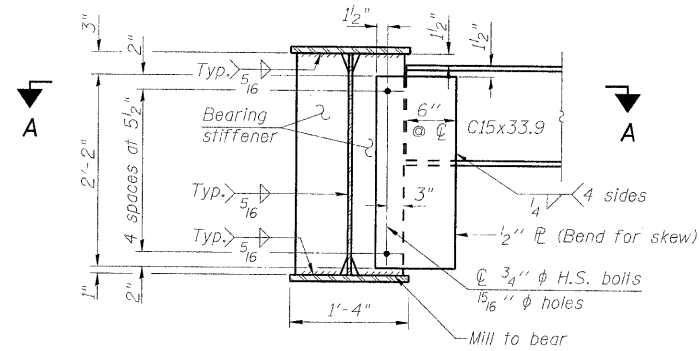


DIAPHRAGM D OR D1 ELEVATION

"NTR" denotes plates to which notch toughness requirements are applicable.

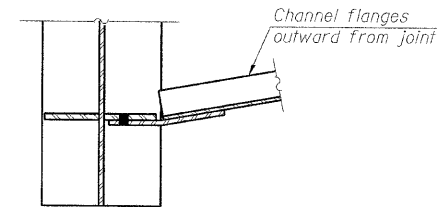


DIAPHRAGM D OR D1 PLAN



END DIAPHRAGM D2

Note: Two hardened washers required for each set of oversized holes.



SECTION A-A

Note:
All cross frames or diaphragms between beams or girders shall be installed with erection pins and bolts in accordance with the erection plan approved by the Engineer. Individual cross frames or diaphragms at supports may be temporarily disconnected to install bearing anchor rods.

**DIAPHRAGM DETAILS
STRUCTURE NO. 101-0190**

DESIGNED - JY
CHECKED - GSP
DRAWN - MJB
CHECKED - JY

SHEET NO. 40	F.A.* RTE.	SECTION	COUNTY	TOTAL SHEETS	SHEET NO.
61 SHEETS	*	1-HBR & 1-2HB-D	WINNEBAGO	216	95
IL RTE 251 & FOREST HILLS RD CONTRACT NO. 64B79					
FED. ROAD DIST. NO. 7 ILLINOIS FED. AID PROJECT					

* F.A.P. 303 & F.A.U. 5146

Revised 10/25/10 BHS