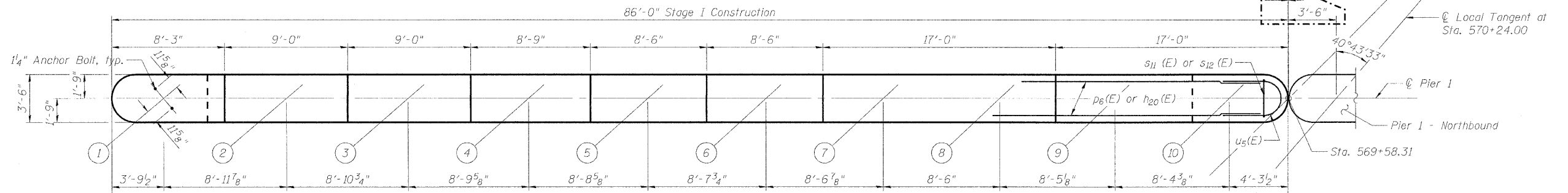
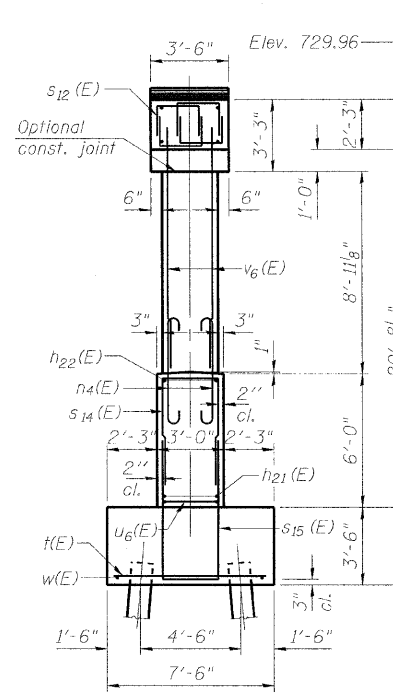


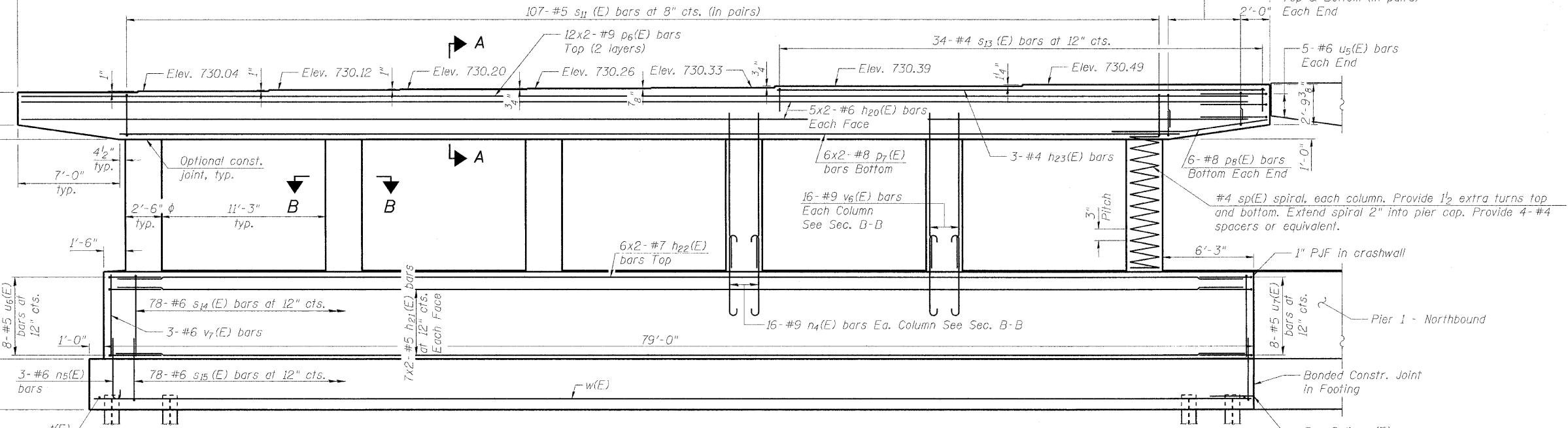
STATE OF ILLINOIS
DEPARTMENT OF TRANSPORTATION



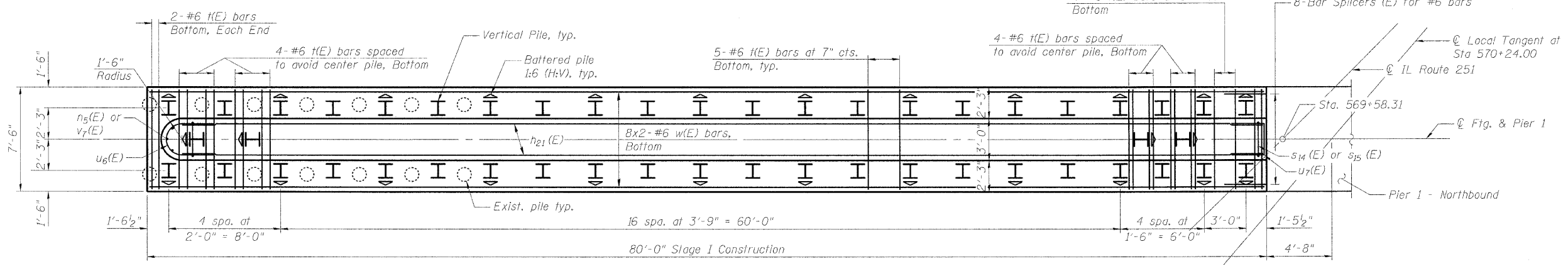
TOP PLAN



END VIEW



ELEVATION
(Looking North)



FOOTING PLAN

PILE DATA

Type: Steel HP 12x53 with pile shoes
Nominal Required Bearing: 318 kips
Factored Resistance Available: 175 kips
Est. Length: 23 ft
No. Production Piles: 47
No. Test Piles: 1

Note:
For Section A-A, B-B and Bill of Material, see Sheet 57 of 61.

MINIMUM BAR LAPS

- (Piers)
- #5 Bar - 3'-3"
- #6 Bar - 3'-10"
- #7 Bar - 5'-10"
- #8 Bar - 6'-9"
- #9 Bar - 9'-8"

PIER 1 - SOUTHBOUND
STRUCTURE NO. 101-0190

SHEET NO. 51 61 SHEETS	F.A.* RTE.	SECTION	COUNTY	TOTAL SHEETS	SHEET NO.
	*	1-HBR & 1-2HB-D	WINNEBAGO	216	106
IL RTE 251 & FOREST HILLS RD		CONTRACT NO. 64B79			
FED. ROAD DIST. NO. 7 ILLINOIS FED. AID PROJECT					

* F.A.P. 303 & F.A.U. 5146

Revised 10/25/10 BHS

11:14:19 AM g:\project\2082773_001\cadd\structural\sheet\1010190-64B79-051-Pier_1_SB.dgn 10/19/2010

