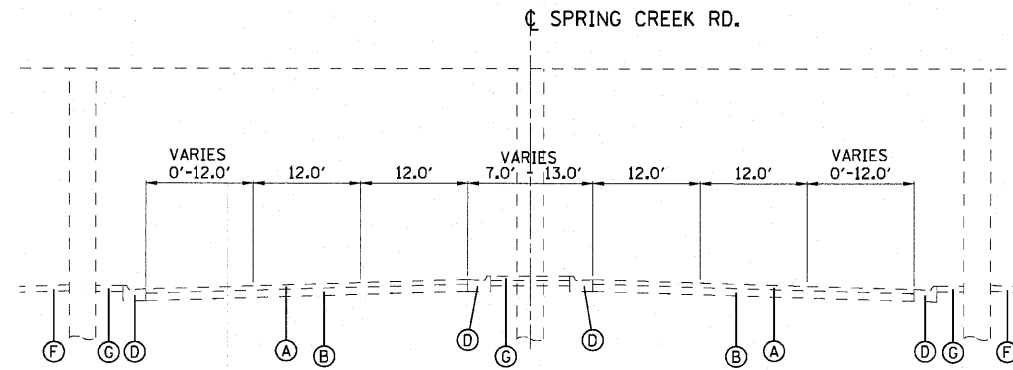
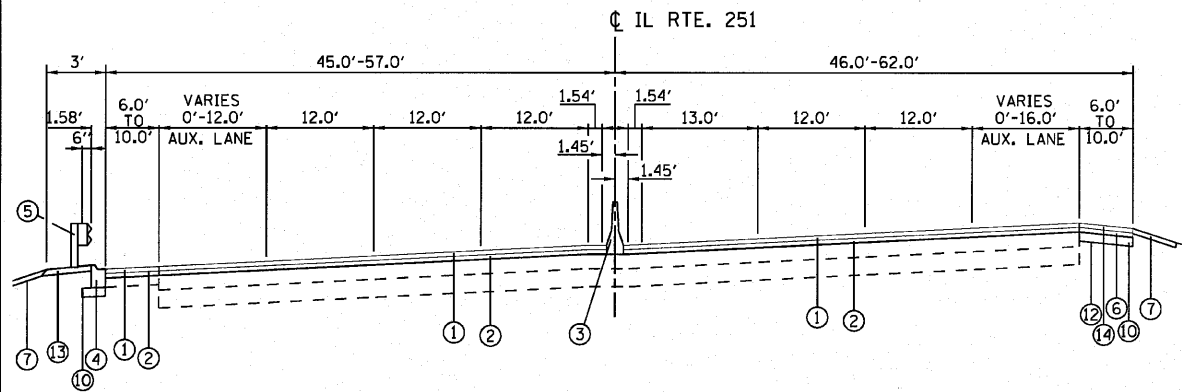


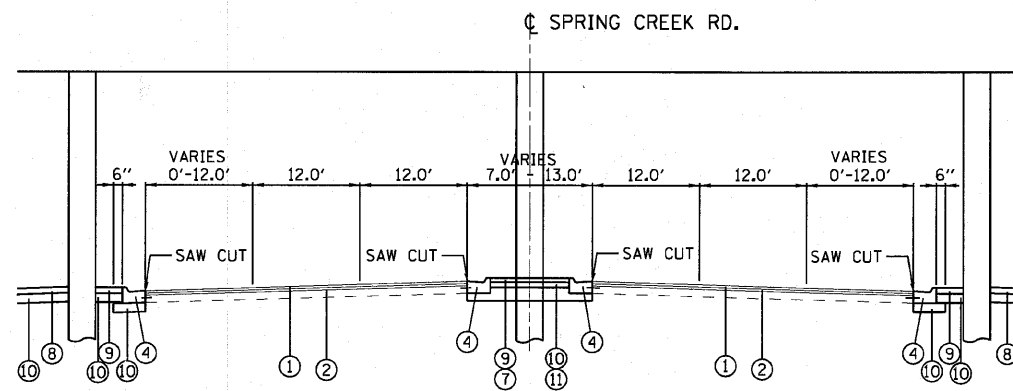
EXISTING IL ROUTE 251
 STA 564+55 TO STA 573+90
 BRIDGE OMISSION STA 568+56.6 TO STA 571+84.0
 (LOOKING NORTHBOUND)



EXISTING SPRING CREEK RD.
 STA 15+35 TO STA 25+62
 (LOOKING EASTBOUND)



PROPOSED IL ROUTE 251
 STA 564+55 TO STA 573+90
 BRIDGE OMISSION STA 568+56.6 TO STA 571+84.0
 (LOOKING NORTHBOUND)



PROPOSED SPRING CREEK RD.
 STA 15+35 TO STA 25+62
 (LOOKING EASTBOUND)
 SAW CUTS WILL NOT BE PAID FOR SEPARATELY, BUT SHALL BE INCLUDED IN THE ITEM BEING REMOVED

EXISTING LEGEND

- (A) BITUMINOUS CONCRETE (± 2")
- (B) PCC PAVEMENT (± 10")
- (C) HOT-MIX ASPHALT SHOULDERS (8")
- (D) COMBINATION CONCRETE CURB AND GUTTER, TYPE M-6.12 OR M-6.24
- (E) MEDIAN CONCRETE BARRIER
- (F) SIDEWALK
- (G) MEDIAN, CONCRETE OR GRASS
- (H) TOPSOIL

PROPOSED LEGEND

- (1) 1 1/2" POLYMERIZED HOT-MIX ASPHALT SURFACE COURSE, MIX "E", N70
- (2) 1" POLYMERIZED LEVELING BINDER (MACHINE METHOD), N70
- (3) CONCRETE BARRIER, DOUBLE FACE, 32 IN
- (4) COMBINATION CONCRETE CURB AND GUTTER, TYPE M-6.12 OR M-6.24
- (5) STEEL PLATE BEAM GUARDRAIL, TYPE A, 6 FT POSTS
- (6) HOT-MIX ASPHALT SHOULDERS, 5 1/2"
- (7) TOPSOIL FURNISH & PLACE, 4"
- (8) PCC SIDEWALK, 5"
- (9) CONCRETE MEDIAN SURFACE, 4"
- (10) SUB-BASE GRANULAR MATERIAL TYPE A, 12"
- (11) FURNISHED EXCAVATION
- (12) GEOTECHNICAL REINFORCEMENT
- (13) SHOULDERS, SPECIAL
- (14) 2 1/2" HOT-MIX ASPHALT SURFACE COURSE MIX "C", N50

NOTE:
 TIE BARS IN PAVEMENT OR BETWEEN PAVEMENT AND OTHER NEW/OR EXISTING PCC APPURTENANCES WILL BE MEASURED IN ACCORDANCE WITH ARTICLE 508.07 OF THE STANDARD SPECIFICATIONS. TIE BARS SHALL BE TYPE NO. 8, 30 IN. IN LENGTH AT 30 IN. CENTERS, EPOXY COATED.

FILE NAME =	USER NAME = zplend	DESIGNED - DLP	REVISED -	STATE OF ILLINOIS DEPARTMENT OF TRANSPORTATION	FAP ROUTE 303 (IL ROUTE 251) OVER SPRING CREEK ROAD TYPICAL SECTIONS	F.A.#	SECTION	COUNTY	TOTAL SHEETS	SHEET NO.	
PROJECT = 2282773.001\CA000\Civil\Sheet\24879-ahtr-speciel.dgn	PLOT SCALE = 5/8" = 1' IN.	DRAWN - ENTRAN	REVISED -			*	1-HBR & 1-2HB-D	WINNEBAGO	216	10	
PLOT DATE = 8/30/2010	DATE - 08/30/10	CHECKED - TMH	REVISED -			IL RTE 251 & FOREST HILLS RD	CONTRACT NO. 64B79				
		DATE - 08/30/10	REVISED -			FED. ROAD DIST. NO.	ILLINOIS FED. AID PROJECT				