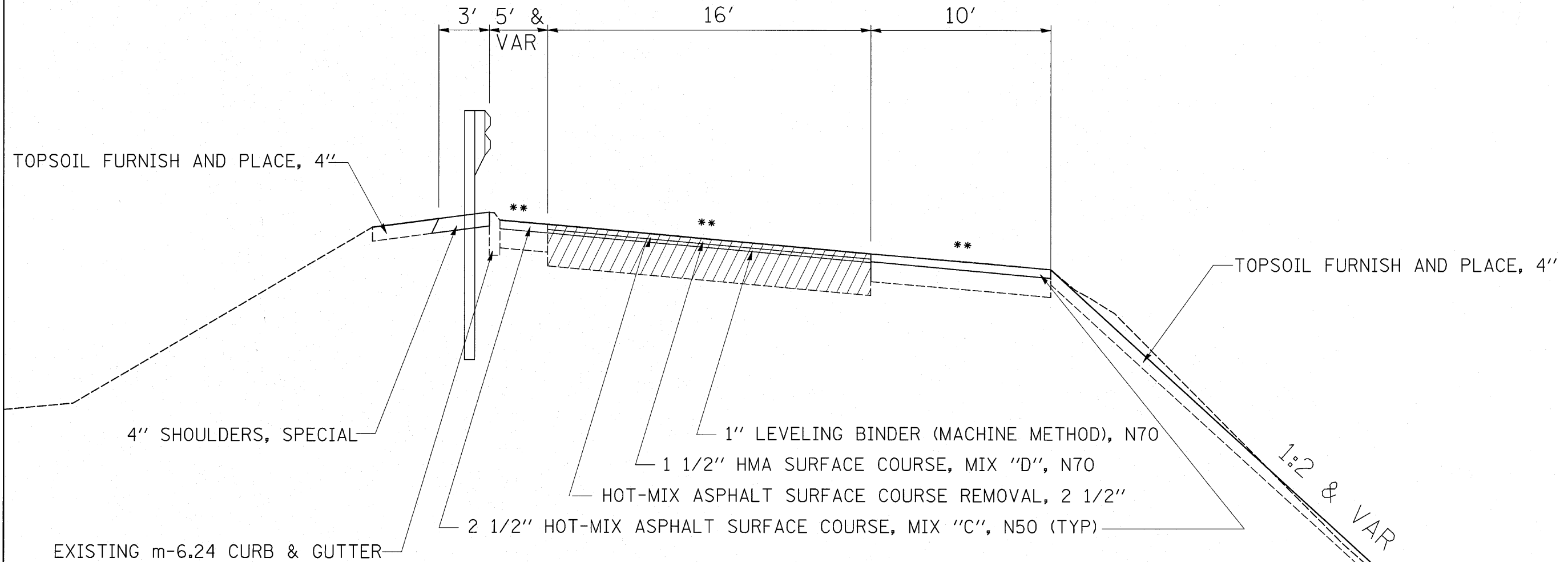


TYPICAL SECTIONS SB FOREST HILLS ROAD

STA 595 + 41.50 TO STA 596 + 20.30 RT
STA 595 + 41.50 TO STA 597 + 18.20 LT



HOT-MIX MIXTURES APPLICATION RATE: 112 lb/sy/in

** MATCH EXISTING SLOPE  EXISTING PAVEMENT  PAVED SHOULDER REMOVAL

FILE NAME =	USER NAME = goffjl	DESIGNED -	REVISED -
ca:\pwork\pwork\goffjl\dms41657\dl4403\top.dgn		DRAWN -	REVISED -
PLOT SCALE = 50,0000' / IN.		CHECKED -	REVISED -
PLOT DATE = Tue Aug 31 11:50:35 2010		DATE -	REVISED -

STATE OF ILLINOIS
DEPARTMENT OF TRANSPORTATION

TYPICAL SECTIONS

F.A. RTE.	SECTION	COUNTY	TOTAL SHEETS	SHEET NO.
*	1-HBR & 1-2HB-D	WINNEBAGO	216	100
IL RTE 251 & FOREST HILLS RD		CONTRACT NO. 64B79		
FED. ROAD DIST. NO.		ILLINOIS FED. AID PROJECT		

SCALE: SHEET NO. OF SHEETS STA. TO STA.