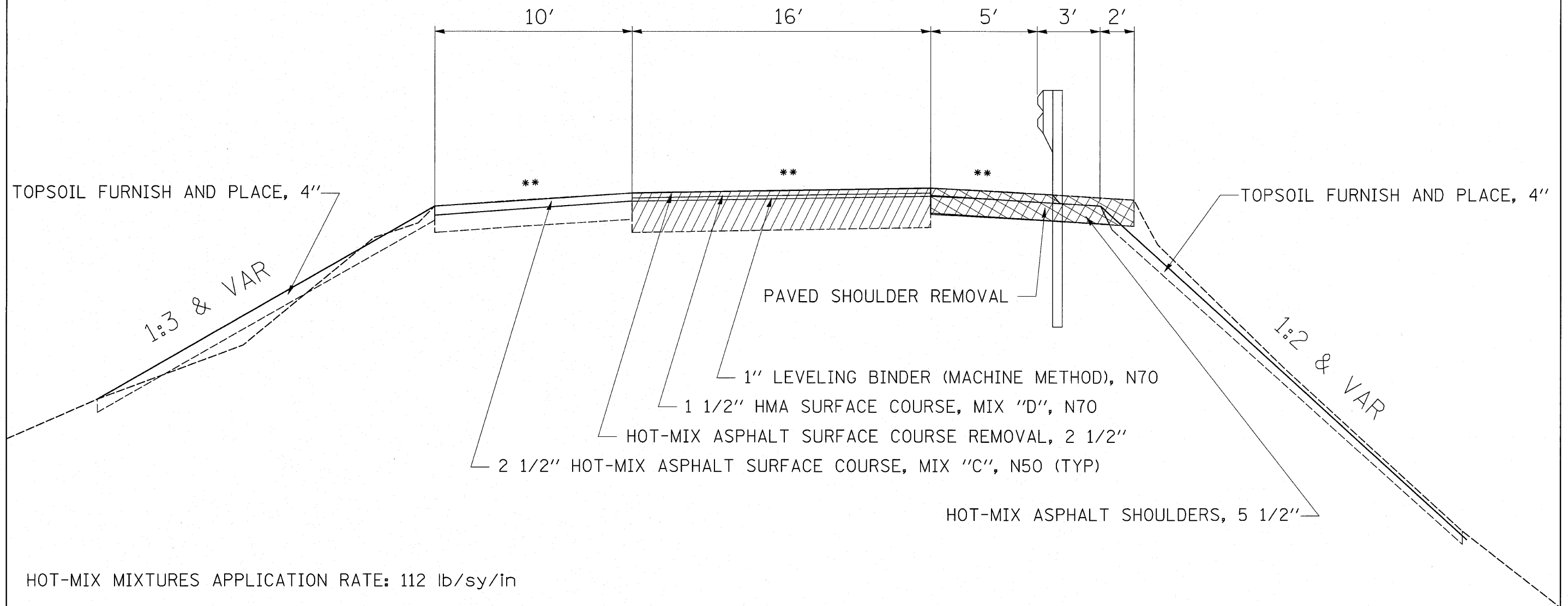


TYPICAL SECTIONS SB FOREST HILLS ROAD

STA 602+47.01 TO STA 603+12.25 LT



HOT-MIX MIXTURES APPLICATION RATE: 112 lb/sy/in

** MATCH EXISTING SLOPE  EXISTING PAVEMENT  PAVED SHOULDER REMOVAL

FILE NAME =	USER NAME = goff jl	DESIGNED -	REVISED -
ct\p\work\p\dot\goff jl\dms41657\dl4405	typ.dgn	DRAWN -	REVISED -
PLOT SCALE = 50.0000' / IN.	CHECKED -	REVISED -	REVISED -
PLOT DATE = Tue Aug 31 11:50:35 2010	DATE -	REVISED -	REVISED -

STATE OF ILLINOIS
DEPARTMENT OF TRANSPORTATION

TYPICAL SECTIONS

SCALE: SHEET NO. OF SHEETS STA. TO STA.

F.A.* RTE.	SECTION	COUNTY	TOTAL SHEETS	SHEET NO.
•	1-HBR & 1-2HB-D	WINNEBAGO	216	13
IL RTE 251 & FOREST HILLS RD		CONTRACT NO. 64B79		
FED. ROAD DIST. NO.		ILLINOIS FED. AID PROJECT		

• IL RTE 251 & FOREST HILLS RD