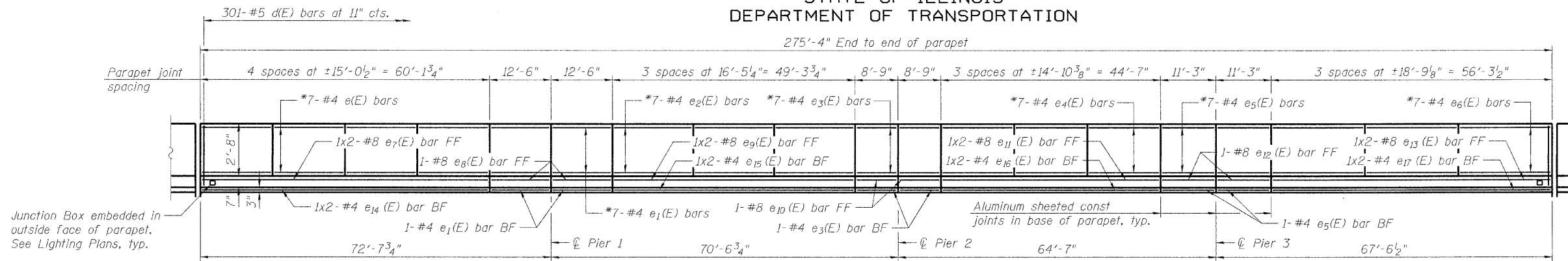
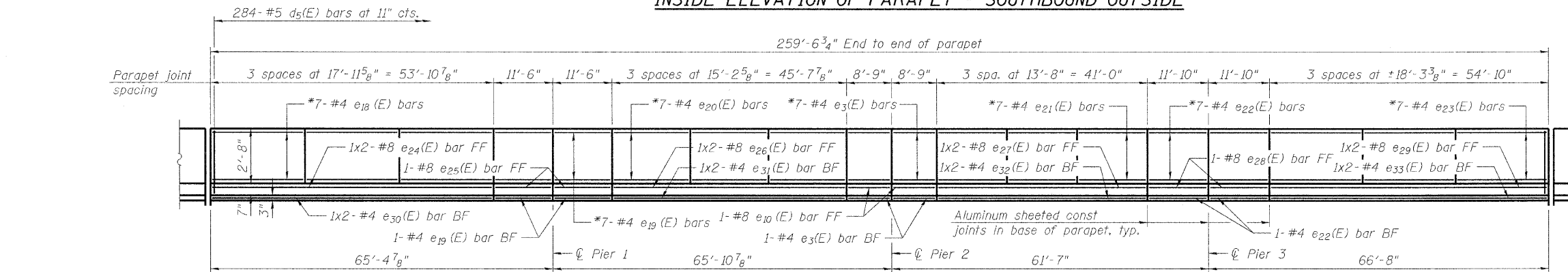


STATE OF ILLINOIS
DEPARTMENT OF TRANSPORTATION

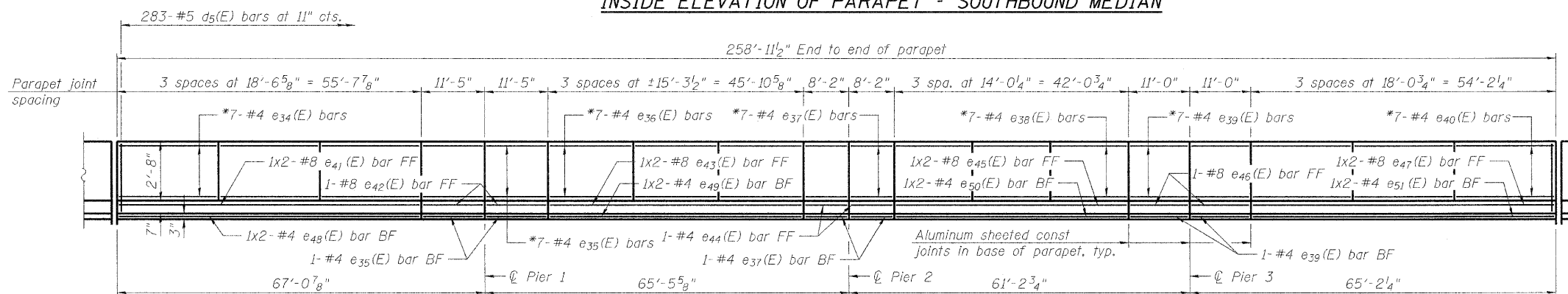
275'-4" End to end of parapet



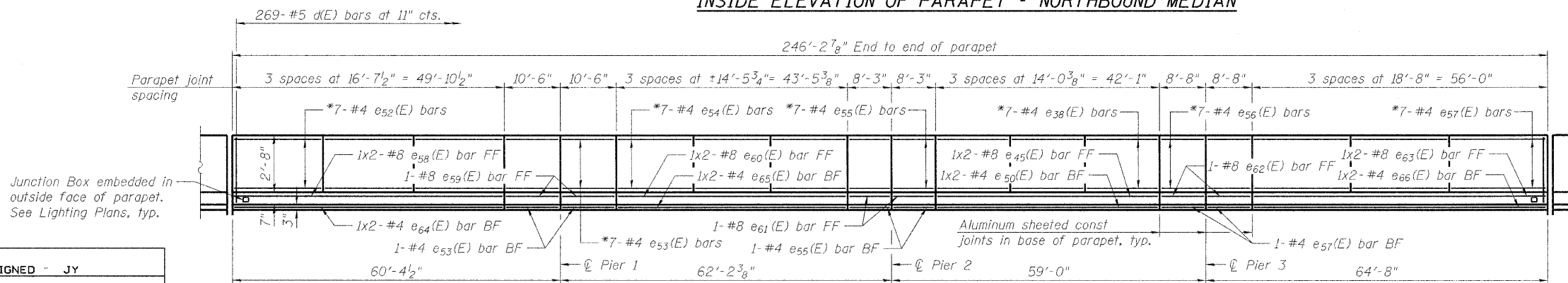
INSIDE ELEVATION OF PARAPET - SOUTHBOUND OUTSIDE



INSIDE ELEVATION OF PARAPET - SOUTHBOUND MEDIAN



INSIDE ELEVATION OF PARAPET - NORTHBOUND MEDIAN



INSIDE ELEVATION OF PARAPET - NORTHBOUND OUTSIDE

MINIMUM BAR LAPS

(Parapet)
#4 Bar - 2'-0"
#8 Bar - 5'-2"

LEGEND

BF = Back Face
FF = Front Face

* Typical between joints in upper portion of parapet with identical joint spacing. See Section thru Parapet for bar configuration.

All dimensions are along the Outside Face of Parapets.

PARAPET ELEVATIONS
STRUCTURE NO. 101-0190

DESIGNED - JY
CHECKED - GSP
DRAWN - MJB
CHECKED - JY

SHEET NO. 21 61 SHEETS	F.A.* RTE.	SECTION	COUNTY	TOTAL SHEETS	SHEET NO.
	*	1-HBR & 1-2HB-D	WINNEBAGO	216	76
IL RTE 251 & FOREST HILLS RD			CONTRACT NO. 64B79		
FED. ROAD DIST. NO. 7 ILLINOIS FED. AID PROJECT					

* F.A.P. 303 & F.A.U. 5146