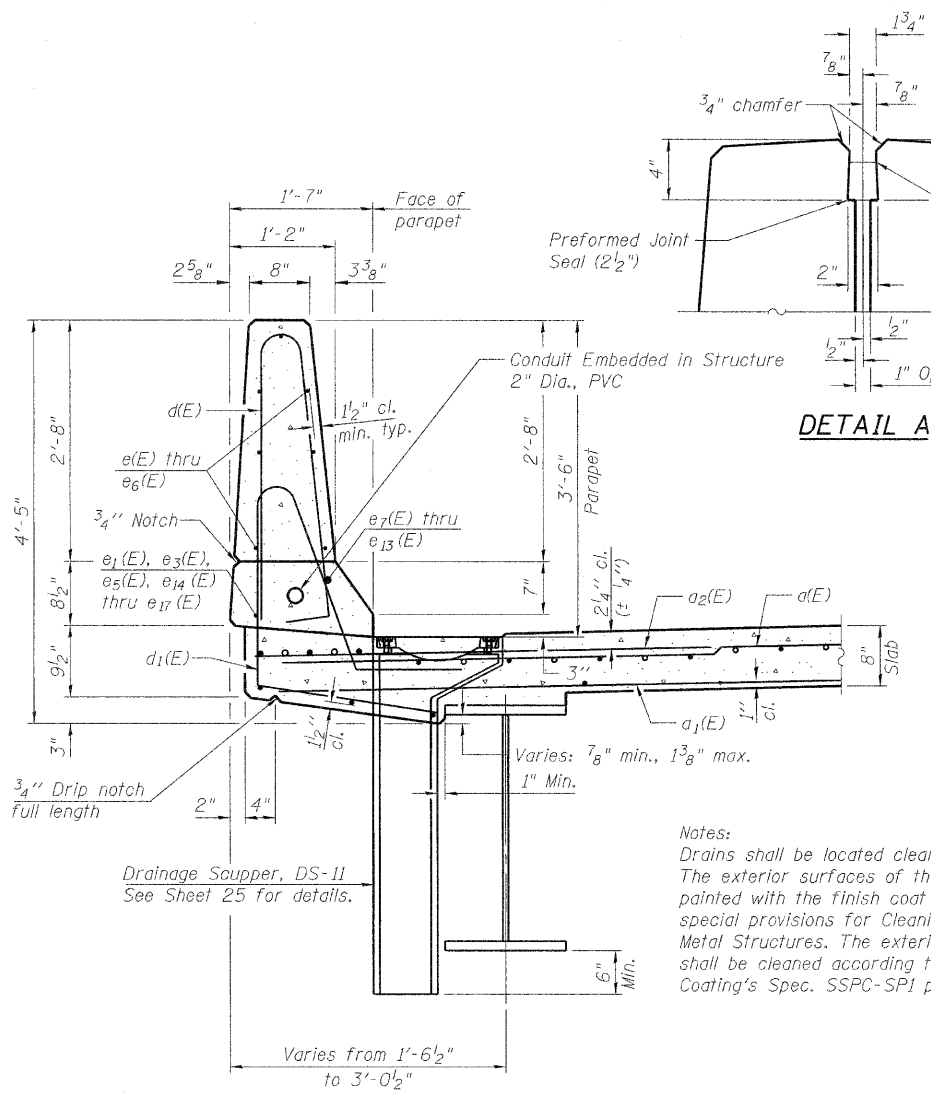
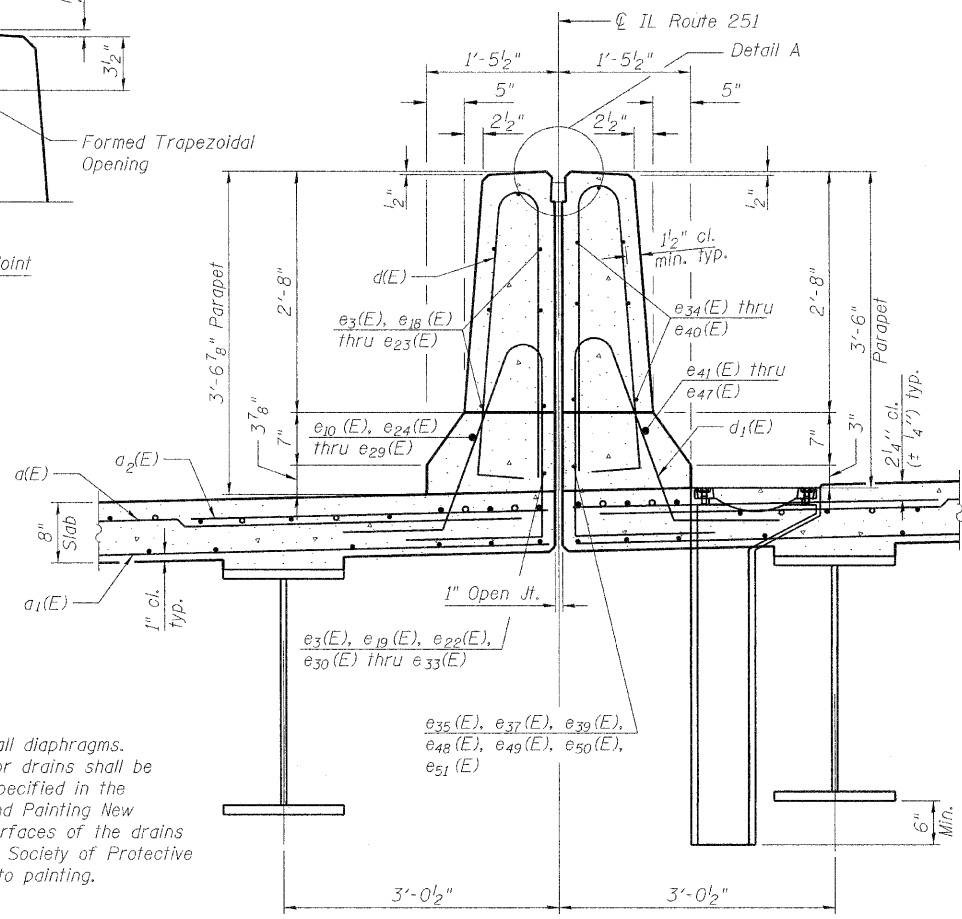


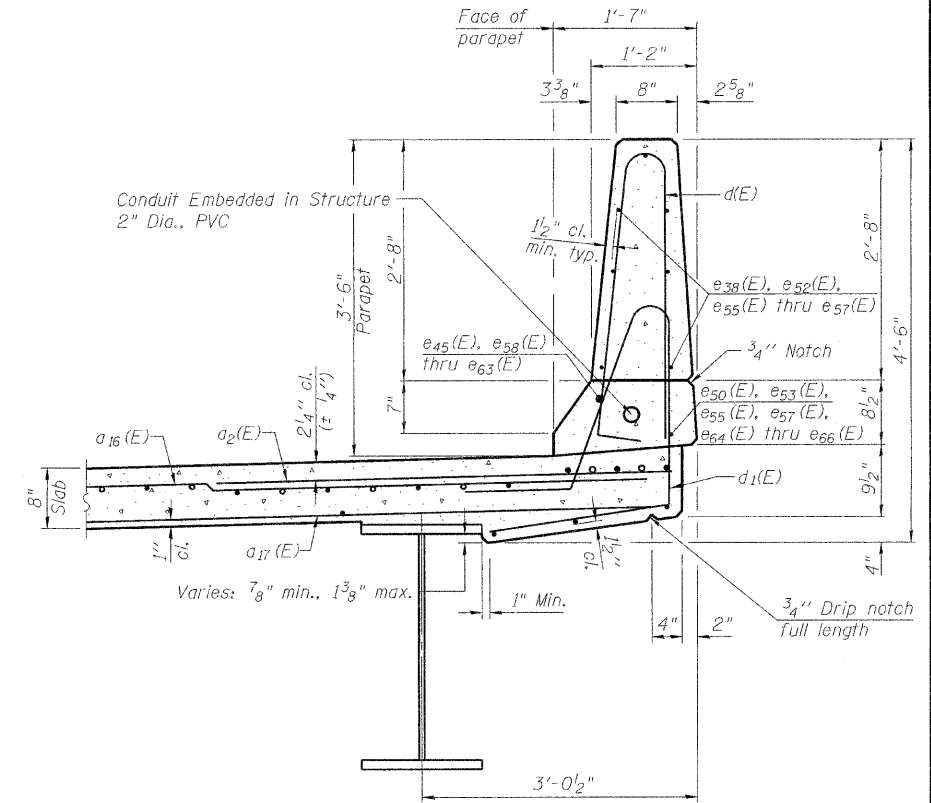
STATE OF ILLINOIS
DEPARTMENT OF TRANSPORTATION



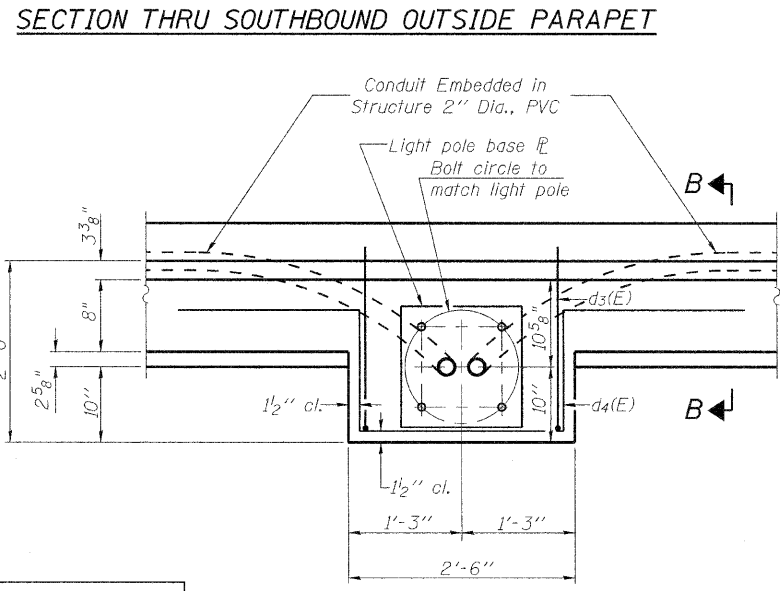
DETAIL A



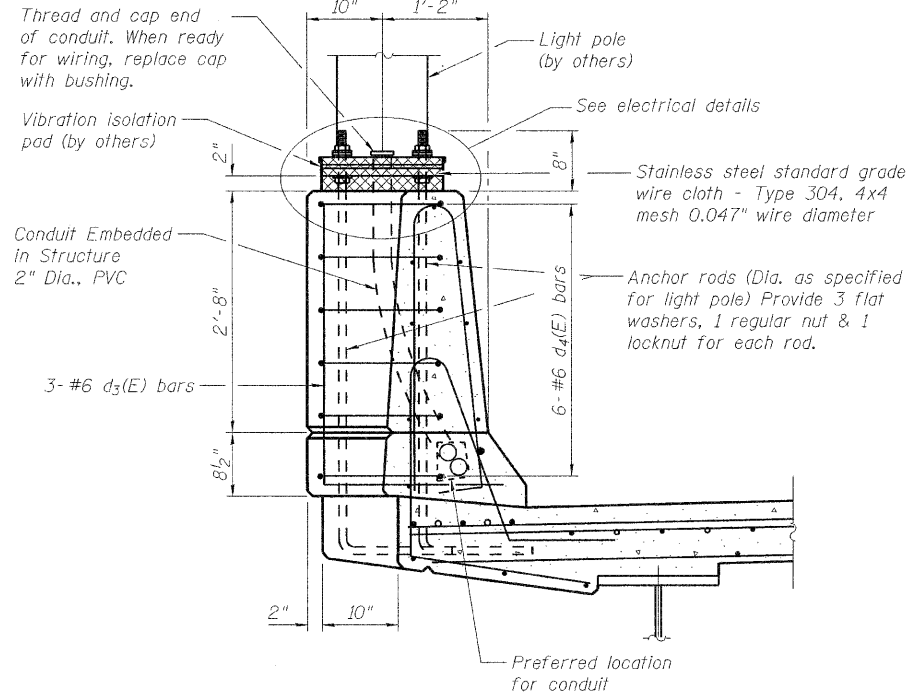
SECTION THRU MEDIAN PARAPET
(Looking North)



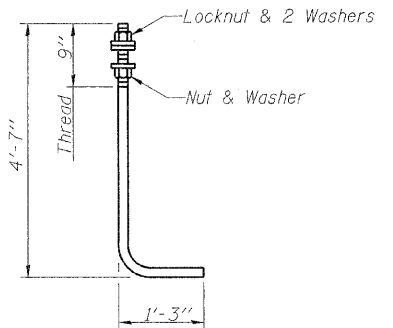
SECTION THRU NORTHBOUND OUTSIDE PARAPET



LIGHT POLE MOUNTED PARAPET PLAN



SECTION B-B



ANCHOR ROD

Diameter as specified for light poles.
(ASTM F 1554 Grade 105)

PARAPET DETAILS
STRUCTURE NO. 101-0190

Notes:
Drains shall be located clear of all diaphragms.
The exterior surfaces of the floor drains shall be painted with the finish coat as specified in the special provisions for Cleaning and Painting New Metal Structures. The exterior surfaces of the drains shall be cleaned according to the Society of Protective Coating's Spec. SSPC-SP1 prior to painting.

DESIGNED - JY
CHECKED - GSP
DRAWN - MJB
CHECKED - JY

Note:
Cost of anchor rods and conduit is included with Concrete Superstructure.

SHEET NO. 22	F.A.* RTE.	SECTION	COUNTY	TOTAL SHEETS	SHEET NO.
	*	1-HBR & 1-2HB-D	WINNEBAGO	216	77
61 SHEETS	IL RTE 251 & FOREST HILLS RD CONTRACT NO. 64B79				
FED. ROAD DIST. NO. 7 ILLINOIS FED. AID PROJECT					

* F.A.P. 303 & F.A.U. 5146