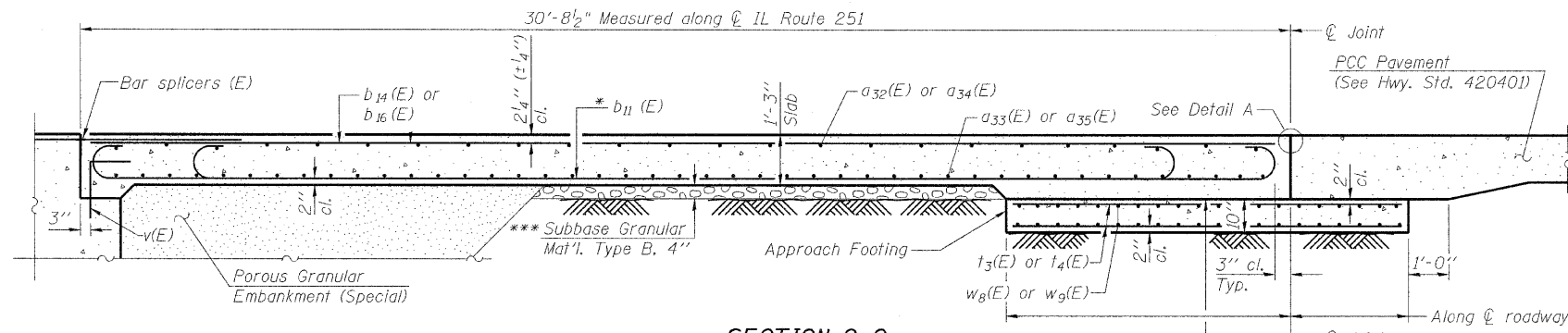
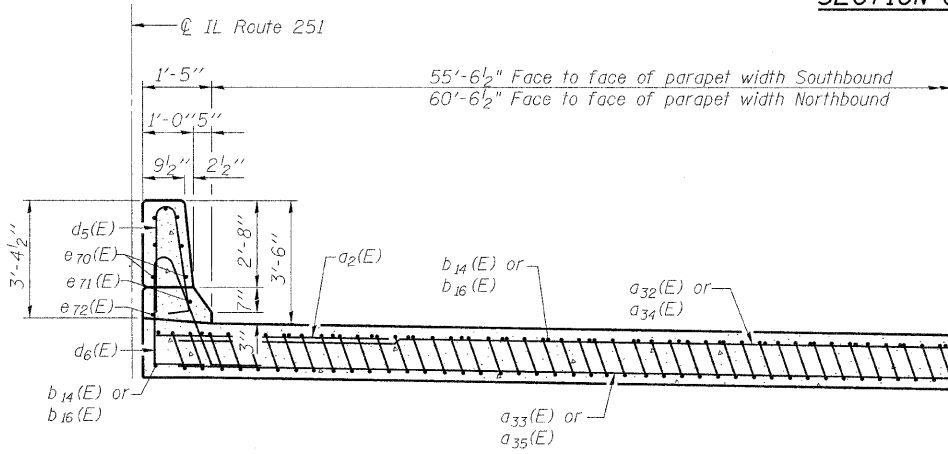


STATE OF ILLINOIS
DEPARTMENT OF TRANSPORTATION

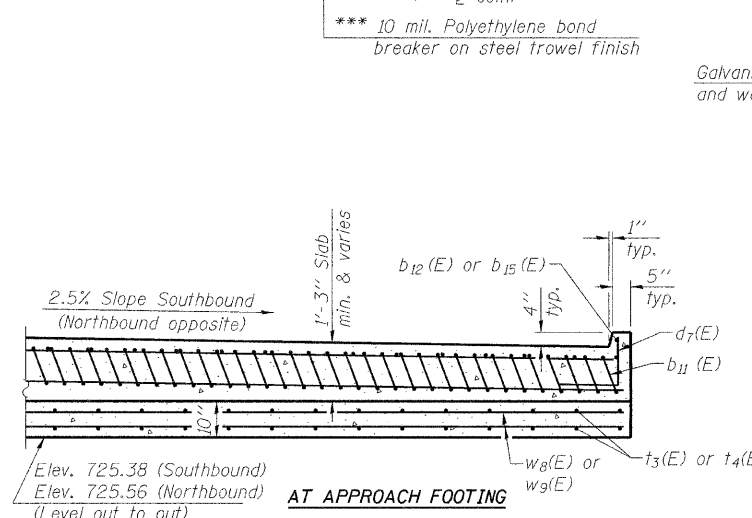
Notes:
See sheet 28 or 29 for Detail A and View B-B.
Approach slab and parapet concrete shall be paid for as Concrete Superstructure.
Approach footing concrete shall be paid for as Concrete Structures.
Reinforcement shall be paid for as Reinforcement Bars, Epoxy Coated.
For v(E) bar details, see sheet 50.
The approach footing maximum applied service bearing pressure (Qmax) = 2.0 ksf.
For bar splicer details, see sheet 58.
Cost of excavation for approach footing included with Concrete Structures.
For Porous Granular Embankment (Special) and drainage treatment details, see sheet 2.
For additional parapet details, see sheet 22.



SECTION C-C

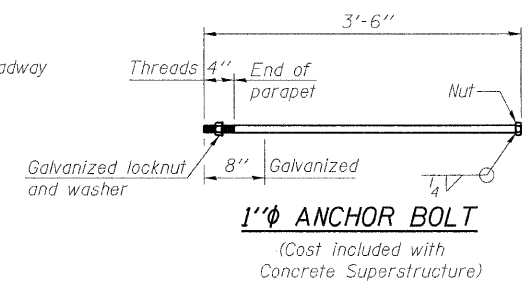


NEAR ABUTMENT



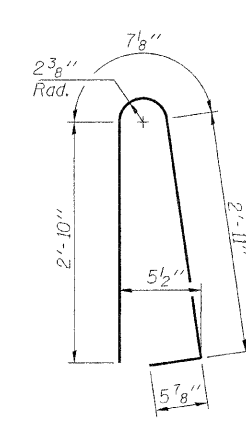
SECTION D-D

(See Plan for dimensions not shown)

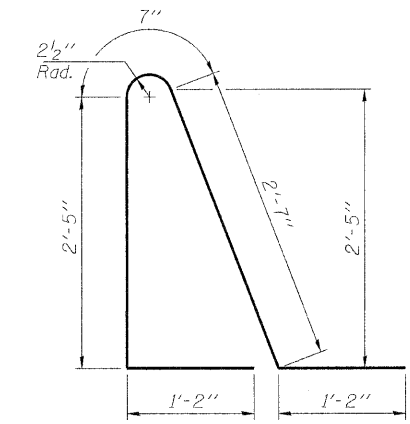


1" ANCHOR BOLT

(Cost included with Concrete Superstructure)



BAR d5(E)



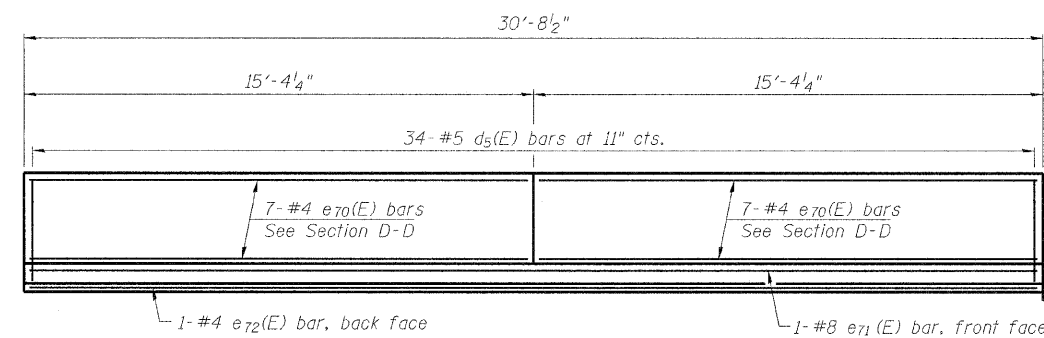
BAR d6(E)

* Tilt #9 b11 (E) bars as required to maintain clearance.

*** Cost included with Concrete Superstructure.

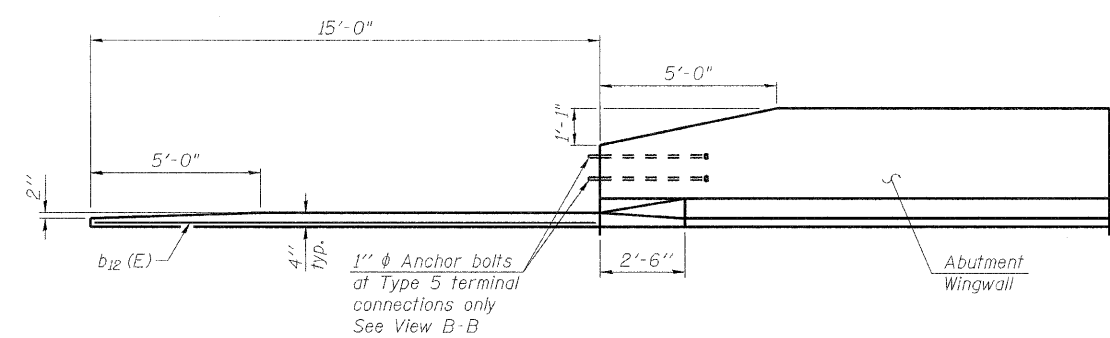
SOUTH APPROACHES
BILL OF MATERIAL

Bar	No.	Size	Length	Shape
a2(E)	42	#6	6'-6"	—
a32(E)	66	#4	23'-10"	—
a33(E)	80	#5	34'-9"	—
a34(E)	66	#4	25'-3"	—
a35(E)	80	#5	36'-3"	—
b11 (E)	278	#9	29'-9"	—
b12 (E)	1	#4	14'-8"	—
b14 (E)	46	#4	30'-3"	—
b15 (E)	1	#4	15'-5"	—
b16 (E)	50	#4	29'-6"	—
d5 (E)	68	#5	6'-10"	—
d6 (E)	68	#5	7'-11"	—
d7 (E)	31	#5	2'-2"	—
e70 (E)	28	#4	15'-0"	—
e71 (E)	4	#8	30'-4"	—
e72 (E)	4	#4	30'-4"	—
t3 (E)	116	#4	11'-1"	—
t4 (E)	126	#4	10'-10"	—
w8 (E)	80	#5	34'-9"	—
w9 (E)	80	#5	36'-10"	—
Concrete Superstructure		Cu. Yd.	206.5	
Concrete Structures		Cu. Yd.	42.7	
Reinforcement Bars, Epoxy Coated		Pound	48,090	



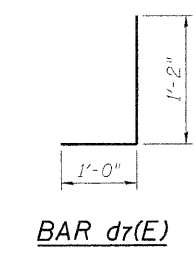
VIEW E-E

(All dimensions measured along the Outside Face of Parapet)

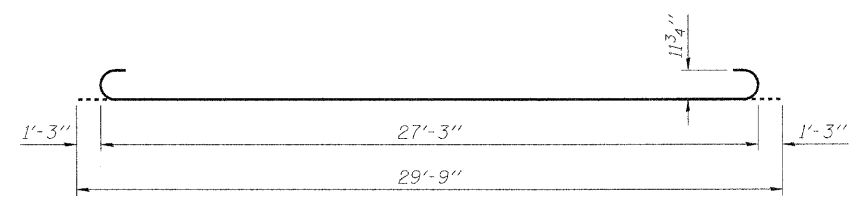


VIEW G-G

(All dimensions measured along the Outside Face of Parapet)



BAR d7(E)



BAR b11 (E)

APPROACH SLAB SECTIONS
AND DETAILS - NORTH APPROACH
STRUCTURE NO. 101-0190

DESIGNED - JY
CHECKED - GSP
DRAWN - MJB
CHECKED - JY

SHEET NO. 31	F.A.* RTE.	SECTION	COUNTY	TOTAL SHEETS	SHEET NO.
	*	1-HBR & 1-2HB-D	WINNEBAGO	216	86
61 SHEETS	IL RTE 251 & FOREST HILLS RD		CONTRACT NO. 64B79		
FED. ROAD DIST. NO. 7 ILLINOIS FED. AID PROJECT					

* F.A.P. 303 & F.A.U. 5146