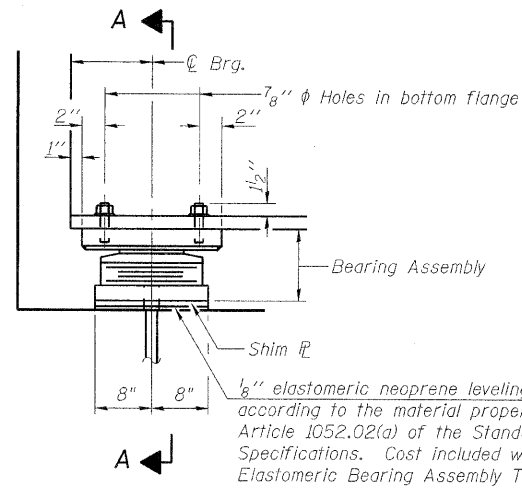
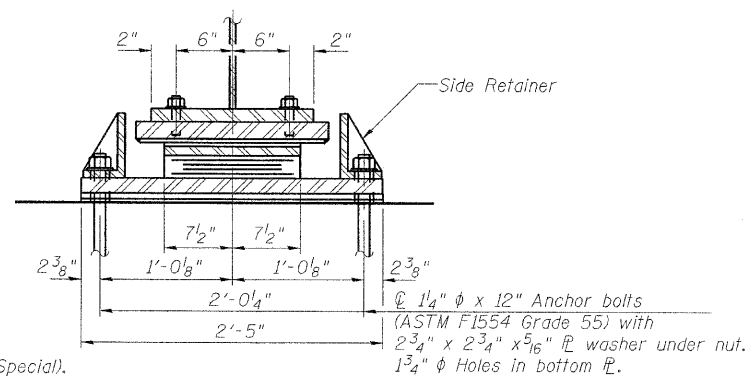


STATE OF ILLINOIS
DEPARTMENT OF TRANSPORTATION

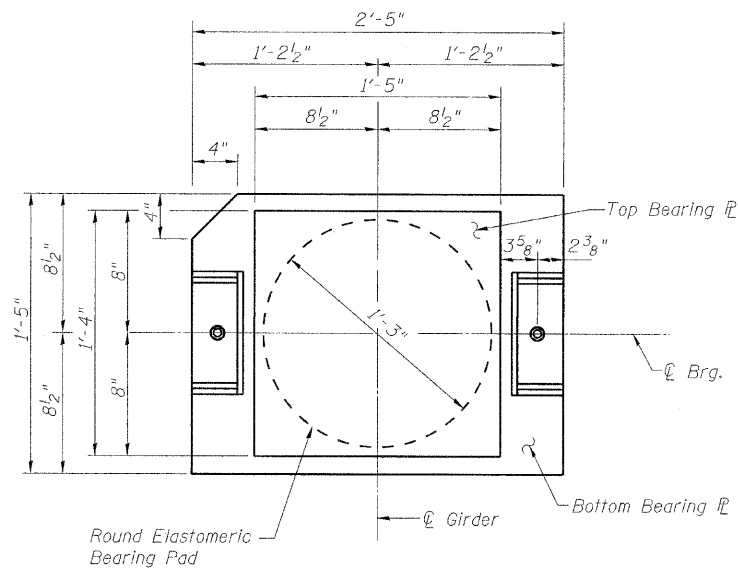


ELEVATION AT ABUT.

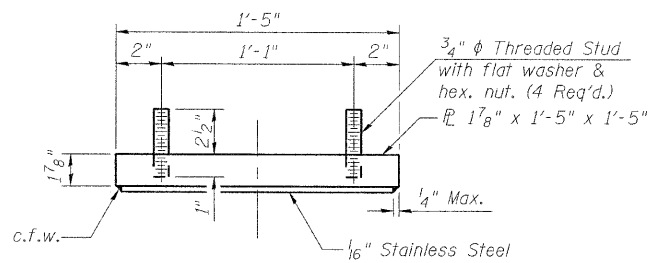


SECTION A-A

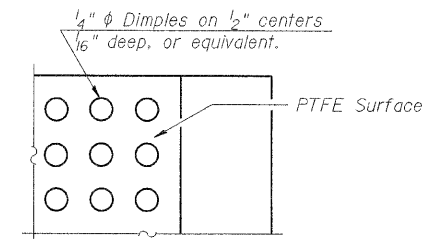
TYPE II ELASTOMERIC EXP. BRG. AT ABUTMENTS



PLAN AT EXPANSION BEARING



TOP BEARING ASSEMBLY



PLAN-PTFE SURFACE

REQUIRED SHIM PLATE TABLES

SOUTH ABUTMENT

Girder	Size (in.)	Thickness
20	1'-4" x 2'-5"	5/8"

NORTH ABUTMENT

Girder	Size (in.)	Thickness
7	1'-4" x 2'-5"	1/8"
8	1'-4" x 2'-5"	1/8"
9	1'-4" x 2'-5"	3/8"
10	1'-4" x 2'-5"	1/2"
12	1'-4" x 2'-5"	1/2"
13	1'-4" x 2'-5"	1/2"
15	1'-4" x 2'-5"	1/4"
16	1'-4" x 2'-5"	5/8"
18	1'-4" x 2'-5"	3/8"
20	1'-4" x 2'-5"	3/8"

Notes:

Anchor bolts shall be ASTM F1554 all-thread (or an Engineer-approved alternate material) of the grade(s) and diameter(s) specified. The corresponding specified grade of AASHTO M314 anchor bolts may be used in lieu of ASTM F1554.

Anchor bolts for Type II bearings shall be placed in holes drilled in the concrete through holes in the bottom bearing plate after members are in place. Side retainers shall be placed after bolts are installed.

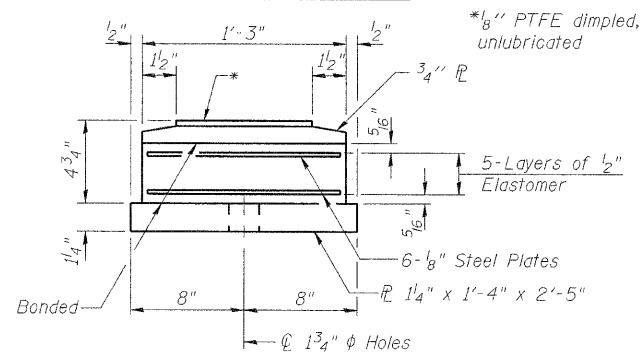
Drilled and set anchor bolts shall be installed according to Article 521.06 of the Standard Specifications.

Side retainers and other steel members required for the elastomeric bearing assembly shall be included in the cost of Elastomeric Bearing Assembly, Type II (Special).

The 1/8" PTFE sheet shall be bonded directly to the top steel plate with a two-component, medium viscosity epoxy resin, conforming to the requirements of the Federal Specification MMM-A-134, Type I. The bond agent shall be applied on the full area of the contact surfaces.

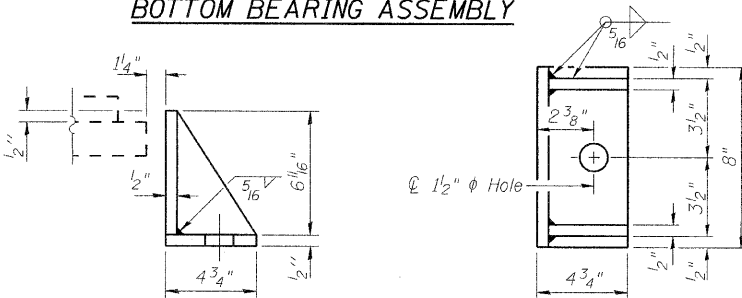
Bonding of 1/8" PTFE sheet during vulcanizing process will be permitted provided the process and method of adjusting assembly height is approved by the Engineer.

Two 1/8 inch adjusting shim shall be provided for each bearing in addition to all adjusting shims and leveling plans shown on the plans.



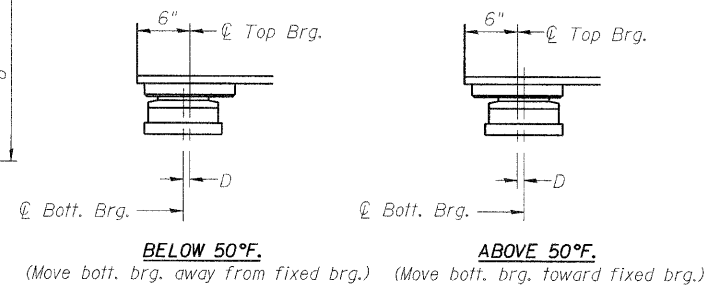
BOTTOM BEARING ASSEMBLY

SECTION THRU PTFE



SIDE RETAINER

Equivalent rolled angle with stiffeners will be allowed in lieu of welded plates.



SETTING ANCHOR BOLTS AT EXP. BRG.

D=1/8" per each 100' of expansion for every 15° temp. change from the normal temp. of 50°F.

BILL OF MATERIAL

Item	Unit	Total
Elastomeric Bearing Assembly Type II (Special)	Each	42
Anchor Bolts	Each	84

BEARING DETAILS (2 OF 2)
STRUCTURE NO. 101-0190

DESIGNED - JY
CHECKED - GSP
DRAWN - MJB
CHECKED - JY

SHEET NO. 44	F.A.* RTE.	SECTION	COUNTY	TOTAL SHEETS	SHEET NO.
61 SHEETS	*	1-HBR & 1-2HB-D	WINNEBAGO	216	99
IL RTE 251 & FOREST HILLS RD CONTRACT NO. 64B79					
FED. ROAD DIST. NO. 7 [ILLINOIS] FED. AID PROJECT					

* F.A.P. 303 & F.A.U. 5146